

SD 19" WALL-MOUNTED NETWORK CABINET



SD cabinet 12 U with safety glass door

DOUBLE-SECTION CABINET

- Designed for indoor applications.
- Available in 5 usable heights (see reference chart).
- Consists of two basic parts:
 - 19" part with safety glass or steel door,
 - wall-mounted part with removable rear panel.
- A standard cabinet is equipped with two easily adjustable mounting angles spaced at 19°.
- The steel door and rear panel are provided with earthing cables.
- The wall part of the cabinet has two cable openings. One cable opening is completed with a brush strip, the other is covered with knock-out blanking plate.
- The door opening direction and cable opening layout can be easily changed by rotating the cabinet by 180°.
- Wide range of supplementary accessories: shelves, drawers, fan kit, power strips, blanking plates, earthing bar etc.
- Cabinet can be equipped with additional rear adjustable 19" mounting angles or mounting profiles.



SD cabinet - rear view

TECHNICAL DATA

Material:

Body, rear panel, mounting angles - sheet steel
 Door - safety glass or sheet steel

Surface finishing

Body, steel door and rear panel - powder paint, light grey (RAL 7035). All other colour options on request.
 Mounting angles - Al-Zn coated.

Protection degree

IP 20 in accordance with EN 60529
 (does not apply to brush cable entries).

SCOPE OF DELIVERY

Double-section body, door, rear panel, earthing cable for rear panel, door earthing cable (only for steel door), 2 mounting angles, brush, template for drilling holes in the wall.



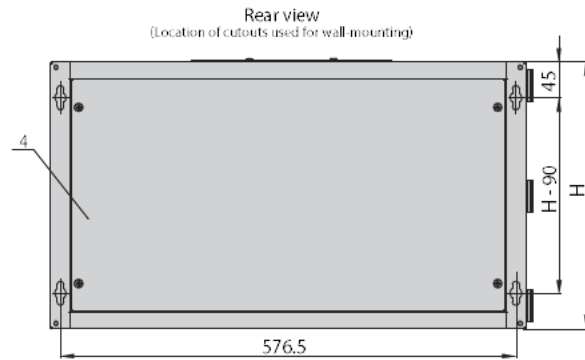
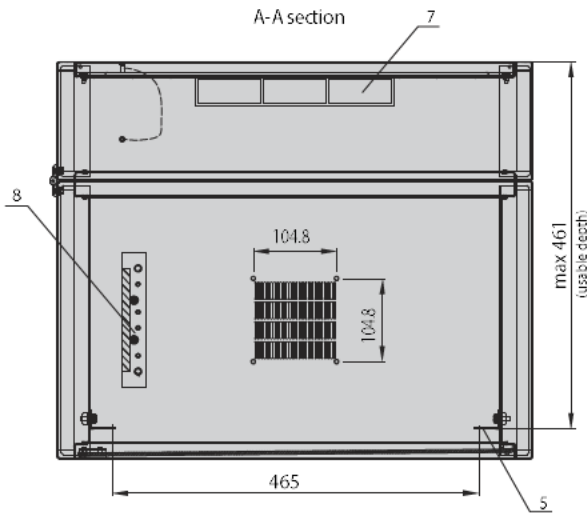
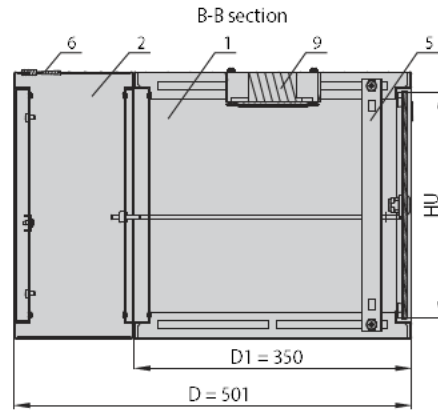
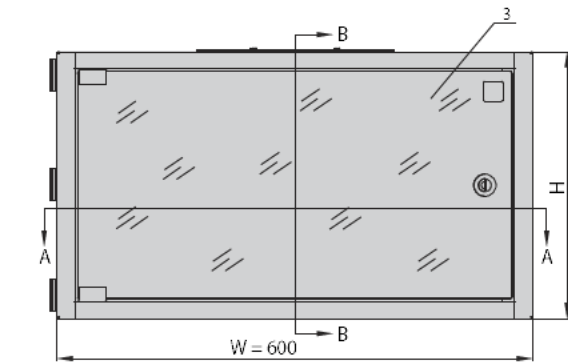
Bottom plate of SD cabinet



Top plate of SD cabinet

WALL-MOUNTED NETWORK CABINET

SD 19"



DESIGN

1. Body of 19" part
2. Body of wall part
3. Glass door (steel door as an option)
4. Rear panel
5. Mounting angle
6. Cable entry
7. Knock-out blanking plate

Supplementary accessories ordered separately:

8. Earthing bar
9. Fan

TABELA WYKONAŃ

Total width W [mm]	Total depth D [mm]	Depth of 19" part D1 [mm]	Total height H [mm]	Usable height HU [U = 44.45 mm]	Maximum load capacity [kg]	Catalogue number	
						Cabinet with glass door	Cabinet with steel door
600	501	350	871	18 U	30	WZ-3505-01-05-011	WZ-3505-01-M5-011
			737	15 U	30	WZ-3505-01-04-011	WZ-3505-01-M4-011
			604	12 U	30	WZ-3505-01-03-011	WZ-3505-01-M3-011
			515	10 U	20	WZ-3505-01-02-011	WZ-3505-01-M2-011
			337	6 U	20	WZ-3505-01-01-011	WZ-3505-01-M1-011