

# SU 19" WALL-MOUNTED NETWORK CABINET



SU cabinet 12 U high with safety glass door



SU cabinet 6 U high - rear view



SU cabinet 6 U high with safety glass door

## SINGLE-SECTION CABINET WITH REMOVABLE SIDE PANELS

- Designed for indoor applications.
- Available in 6 usable heights (see reference chart).
- The design of the cabinet is based on dismantlable frame with safety glass or steel front door and removable rear and side panels.
- Standard version is equipped with two adjustable 19" mounting angles, a knock-out blanking plate and a brush opening (potential cable entry point).
- The rear and side panels, as well as steel door, are provided with earthing connections.
- Cabinets can be fastened directly to the wall without using any brackets - convenient internal access to wallfixing screws.
- Easy change of door opening direction and cable opening layout by rotating by 180°.
- Wide range of supplementary accessories: shelves, drawers, fan kit, power strips etc.
- Cabinet can be equipped with additional rear adjustable 19" mounting angles or mounting profiles.

### TECHNICAL DATA

#### Material

Frame, rear and side panels, mounting angles - sheet steel  
 Door - safety glass or sheet steel

#### Surface finishing

Frame and mounting angles – Al-Zn coated.  
 Steel door, side panels and rear panel – powder paint, light grey (RAL 7035). All other colour options on request.

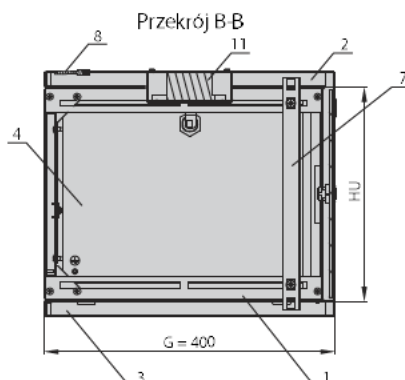
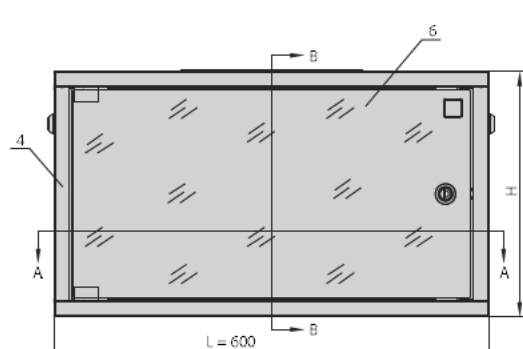
#### Protection degree

IP 20 in accordance with EN 60529  
 (does not apply to brush cable entries).

### SCOPE OF DELIVERY

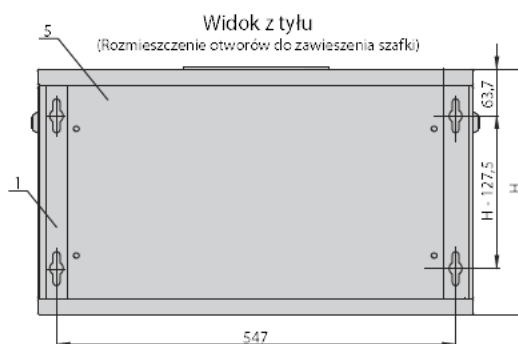
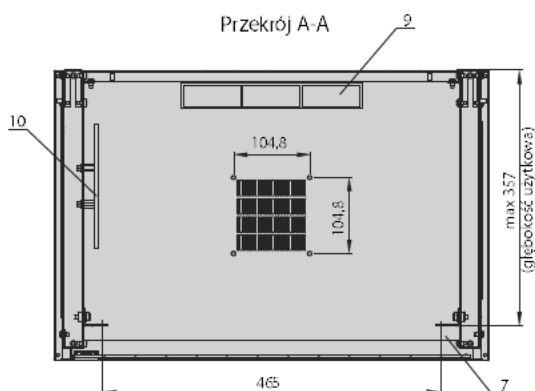
Frame, bottom plate, top plate, door, 2 side panels, rear panel, 2 mounting angles, brush, template for drilling holes in the wall.

## WALL-MOUNTED NETWORK CABINET

**SU 19"**

**BUDOWA**

1. Skręcany szkielet szafki
2. Płyta górna
3. Płyta dolna
4. Zdejmowana osłona boczna
5. Zdejmowana osłona tylna
6. Drzwi szklane (opcjonalnie blaszane)
7. Kątownik nośny
8. Przepust szczotkowy
9. Wylamywana zaślepka

Elementy wyposażenia dodatkowego:  
10. Listwa uziemienia  
11. Wentylator


**TABELA WYKONAŃ**

Sposób pakowania	Szerokość całkowita L [mm]	Głębokość całkowita G [mm]	Wysokość całkowita H [mm]	Wysokość użytkowa HU [U = 44,45 mm]	Dopuszczalne obciążenie szafki [kg]	Numer katalogowy szafki	
						z drzwiami szklanymi	z drzwiami blaszanymi
Szafka skręcona	600	400	871	18 U	45	WZ-2733-01-S6-011	WZ-2733-01-M6-011
			737	15 U	37	WZ-2733-01-S5-011	WZ-2733-01-M5-011
			604	12 U	30	WZ-2733-01-S4-011	WZ-2733-01-M4-011
			515	10 U	25	WZ-2733-01-S3-011	WZ-2733-01-M3-011
			337	6 U	15	WZ-2733-01-S2-011	WZ-2733-01-M2-011
			248	4 U	10	WZ-2733-01-S1-011	WZ-2733-01-M1-011
Szafka rozkręcona do samodzielnego montażu	600	400	871	18 U	45	WZ-2733-01-F6-011	–
			737	15 U	37	WZ-2733-01-F5-011	–
			604	12 U	30	WZ-2733-01-F4-011	–
			515	10 U	25	WZ-2733-01-F3-011	–
			337	6 U	15	WZ-2733-01-F2-011	–
			248	4 U	10	WZ-2733-01-F1-011	–