

WALL-MOUNTED CABINETS



Z|BOX

SU

SD

SJ

WALL-MOUNTED CABINETS

Z|BOX 19" WALL-MOUNTED NETWORK CABINET



Cabinet with glass door



Cabinet with steel solid door

SINGLE-SECTION CABINET WITH REMOVABLE SIDE PANELS

- Designed for indoor applications.
- Available in 1 depth (600 mm) and 5 usable heights (from 6 to 18 U).
- The cabinet is made of bolted framework (composed of 3 frames), top plate, bottom plate, side panels, rear panel and front door.
- Cabinet is equipped with two adjustable 19" mounting profiles.
- Top and bottom plates have cable openings covered with knock-out blanking plates, and 3 venting holes for each plate.
- Door, side panels and mounting profiles can be installed without tools.
- The entire weight of the devices installed inside the cabinet is transferred onto its framework.
- Side panels can be removed after opening the door.

TECHNICAL DATA

Protection degree

IP 20 in accordance with EN 60529

Maximum load capacity

100 kg

Material

sheet steel, safety glass, aluminium profiles

Surface finishing

frame, steel door, panels, top and bottom plates, glass door side profiles – powder paint, light grey (RAL 7035). Mounting profiles – Al-Zn coated.

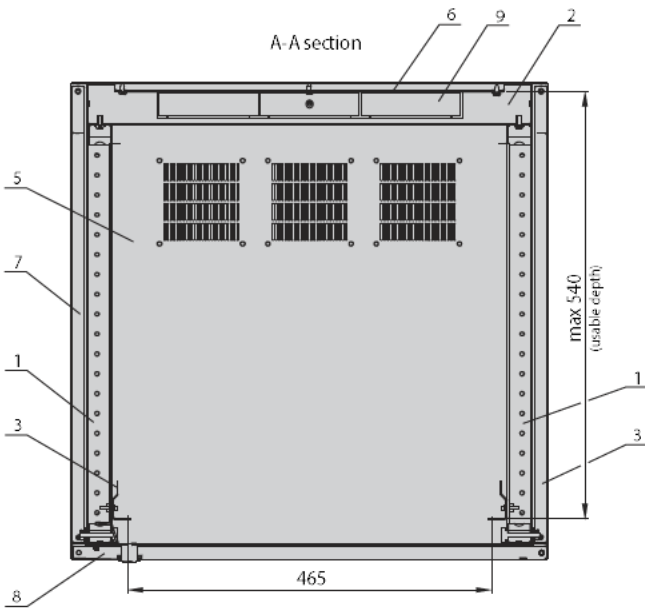
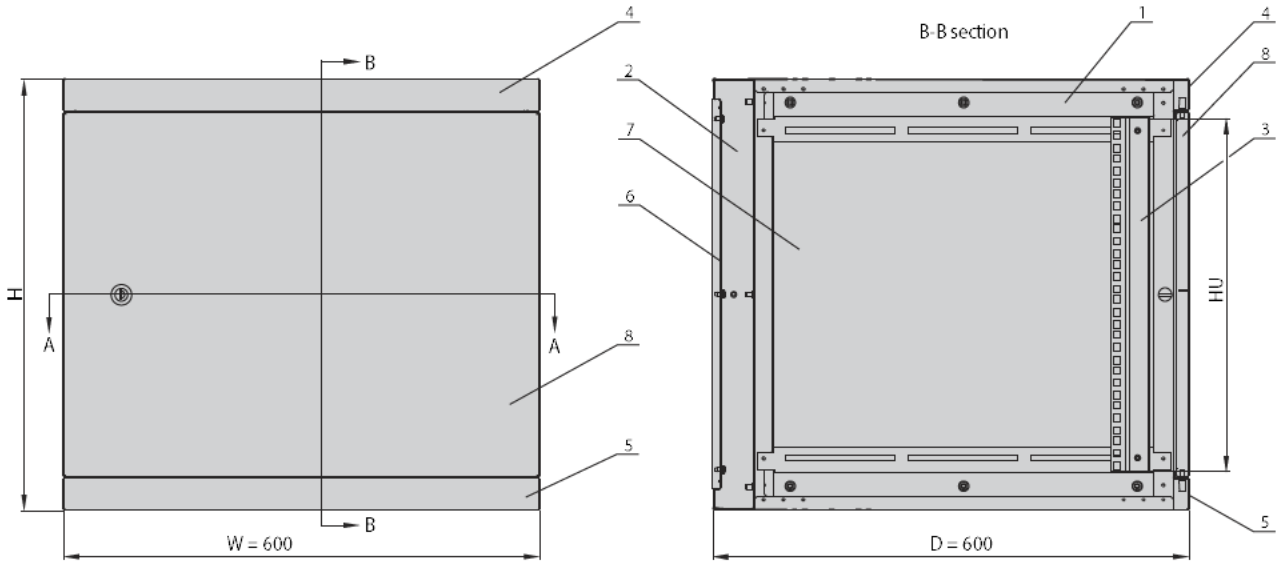
SCOPE OF DELIVERY

Frame, bottom plate, top plate, door, 2 side panels, rear panel, 2 mounting profiles, template for drilling holes in the wall.

REFERENCE CHART

External dimensions			Usable height HU [U = 44.45 mm]	Catalogue number	
Width W [mm]	Depth D [mm]	Height H [mm]		Cabinet with steel solid door	Cabinet with glass door
600	600	899	18 U	WZ-7240-20-M5-011	WZ-7240-20-A5-011-BNP
		765	15 U	WZ-7240-20-M4-011	WZ-7240-20-A4-011-BNP
		632	12 U	WZ-7240-20-M3-011	WZ-7240-20-A3-011-BNP
		543	10 U	WZ-7240-20-M2-011	WZ-7240-20-A2-011-BNP
		365	6 U	WZ-7240-20-M1-011	WZ-7240-20-A1-011-BNP

WALL-MOUNTED NETWORK CABINET **Z|BOX 19"**



DESIGN

- 1. Side part of cabinet's frame
- 2. Rear part of cabinet's frame
- 3. Mounting profile
- 4. Top plate
- 5. Bottom plate
- 6. Rear panel
- 7. Side panel
- 8. Door
- 9. Knock-out blanking plate

