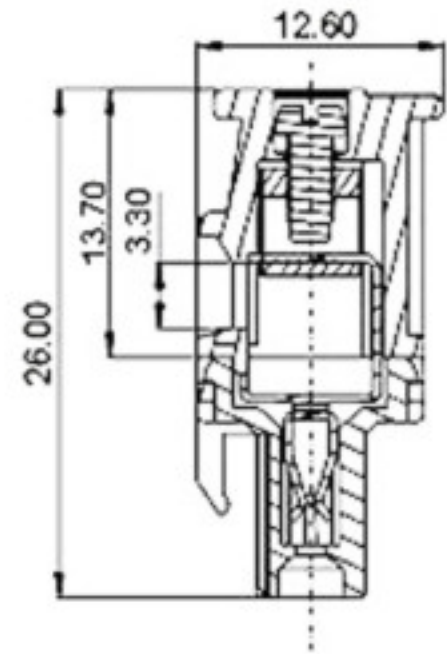
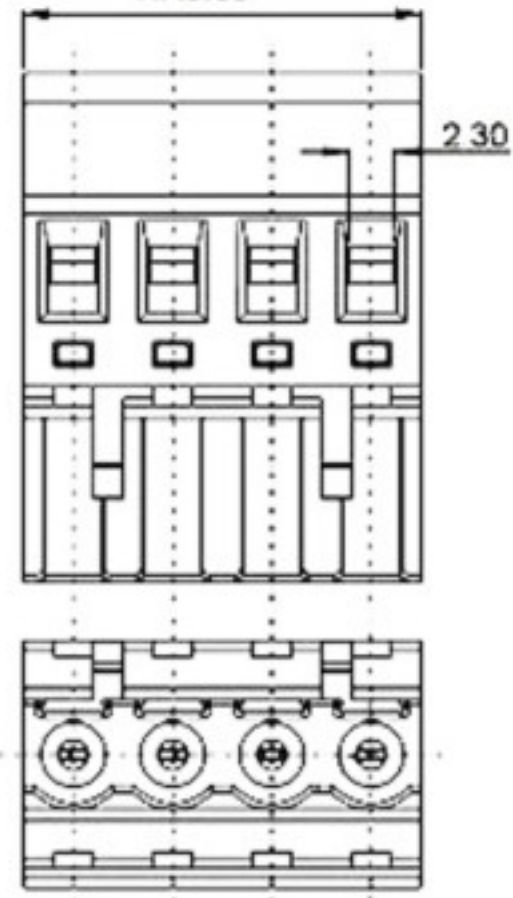


NX7.62-1.8  
 NX7.50-1.8  
 NX5.08  
 NX5.00

A  
B  
C  
D  
E  
F  
G  
H



Standard	UL	VDE
Rated voltage	300V	320V
Rated current	15A	20A
Wire range	28-12AWG	2.5mm <sup>2</sup>
Withstanding voltage	AC2500V/1Min	
Ambient temperature	(-)40°C to +105°C	
Strip length	7mm	
Torque	0.4Nm(3.5Lb-In.)	
Pitch	5.00/5.08/7.50/7.62 mm (.197")	
Poles	2P, 3P --- Any Poles	
Housing	PA66, UL94V-0	
Screws	M2.5, steel, Cr <sup>3</sup> + Zn plated	
Contact	Brass, Ni plated	
Wire Cage	Brass, Ni plated	



RoHS Compliant **SCHMID-M**

APPD.	SCALE	TOLERANCE	PART NAME
DWG.	UNIT	SIZE	Pluggable Terminal Block Without Fix Screws
DATE	PAGE	REV	Pitch 5,08 mm Green XX: No. Poles
2013/10	1 OF 1	C	PART NO. SM C09 0585 XX YOC

A  
B  
C  
D  
E  
F  
G  
H

1 2 3 4 5 6 7 8