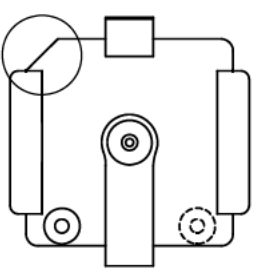
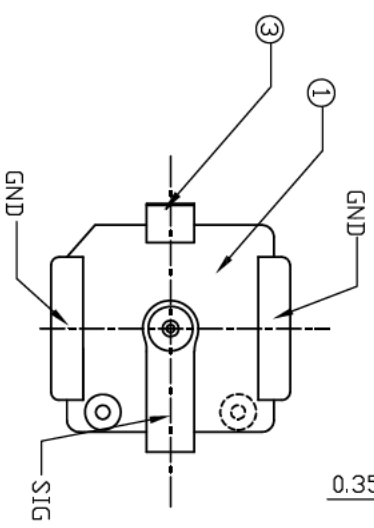
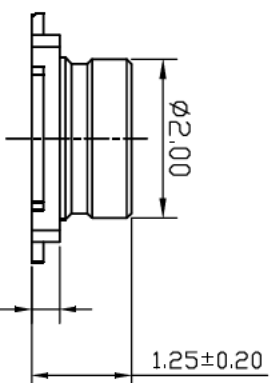
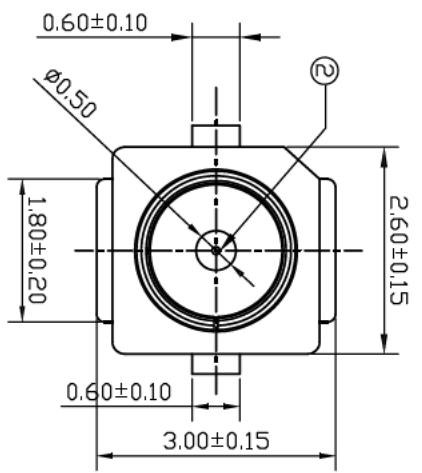
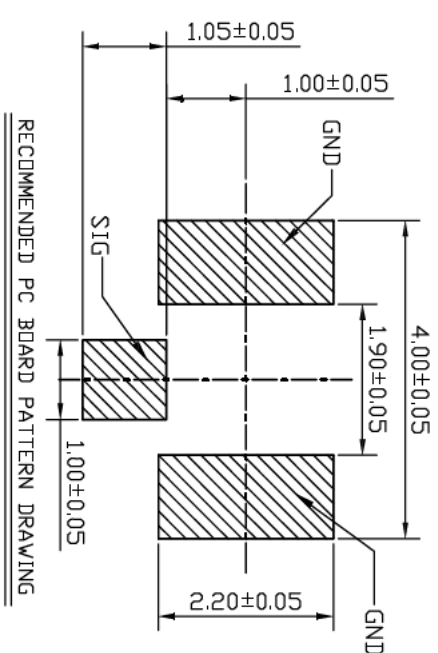


NOTE: IPEX MALE TO PCB



- NOTES:
1. ELECTRICAL CHARACTERISTICS:
 - 1.1 CURRENT RATING: 0.5A MAX;
 - 1.2 IMPEDANCE: 50OHM NOMINAL.
 2. MECHANICAL CHARACTERISTICS:
 - 2.1 OPERATING TEMP. -40° TO 90° ;
 - 2.2 VSWR UP TO 3 GHZ: 1.3 MAX
 - 2.3 DURABILITY: 30 CYCLES.



3	gold
2	gold
1	LOP-UL94V-0
	Material
	Plated

SCHMID-M

APPROVED	GLAZE	DRAWING	DESIGN	PART NAME	Schmid-M: U.FL-5101.PGB	UNITS	mm	SCALE	FIT
		H.B	H.B	DRAWING NO		△			
				GLAZE		△		2017/10/12	A
				MATERIAL		SYE		DATE	REV.