

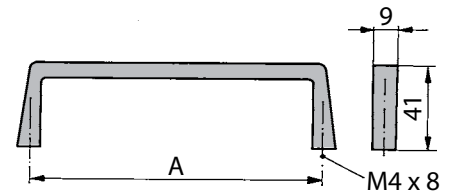
# 4: Handles / Feet

## 4.1.2 U-Handles Aluminium, Anodised



### 4.1.2 U-Handles Aluminium, Anodised

- Anodised aluminium extrusion
- Width: 9 mm
- **Scope of delivery:**
  - 1 aluminium handle
- Per handle 2 screws are needed, see below



For Case Height	A		Colour	Part-No.
	mm	inch		
2 U	44.5	1.75	Clear anodised	60-527
			Black anodised	60-527-6
3 U	88.9	3.50	Clear anodised	60-528
			Black anodised	60-528-6
4 U	133.4	5.25	Clear anodised	60-529
			Black anodised	60-529-6
5 U	177.8	7.00	Clear anodised	60-530
			Black anodised	60-530-6
6 U	222.3	8.75	Clear anodised	60-531
			Black anodised	60-531-6

### Assembly Material

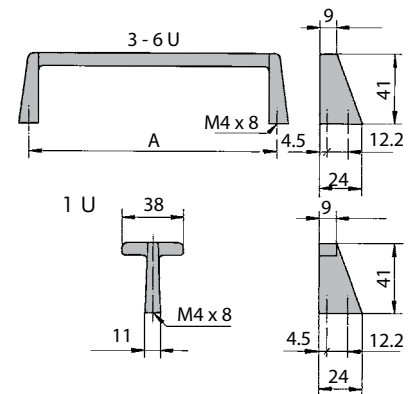
Description	Part-No.	
	1 pc.	100 pcs.
Cross recessed cylinderhead earthing screw M4 x 10	61-260	1904-12
Torx cylinderhead earthing screw M4 x 10, size T20	5443-01	5443-01-2
Cross recessed countersunk screw M4 x 10	5342-10	1906-24
Torx countersunk screw M4 x 10, size T20	5470-26	5470-26-2

## 4.1.3 Die Cast Aluminium Handles



### 4.1.3 Die Cast Aluminium Handles

- Universal handle
- Wet painted white aluminium (RAL 9006)
- Material 1 U version: Die cast zinc
- **Scope of delivery:**
  - 1 die cast handle
- Per handle 2 screws are needed see below



For Case Height	A		Part-No.
	mm	inch	
1 U	-	-	60-541
3 U	88.9	3.50	60-553
4 U	133.4	5.25	60-554
6 U	222.3	8.75	60-556

### Assembly Material

Description	Part-No.	
	1 pc.	100 pcs.
Cross recessed cylinderhead earthing screw M4 x 10	61-260	1904-12
Torx cylinderhead earthing screw M4 x 10, size T20	5443-01	5443-01-2
Cross recessed countersunk screw M4 x 10	5342-10	1906-24
Torx countersunk screw M4 x 10, size T20	5470-26	5470-26-2

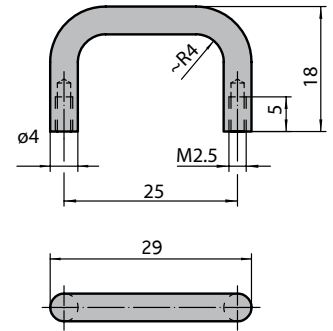
# 4: Handles / Feet

## 4.1.4 Small Component U-Handle, Steel



### 4.1.4 Small Component U-Handle, Steel

- For small components
- Steel powder coated black (RAL 9005)
- **Scope of delivery:**
  - 1 handle
- Per handle 2 screws are needed, see below



Description	Part-No.
U-handle steel, black	60-539

### Assembly Material

Description	Part-No. 1 pc.
Cross recessed cylinderhead screw M2.5 x 6	5325-06
Torx cylinderhead screw M2.5 x 6	5470-04
Cross recessed countersunk screw M2.5 x 6	5322-06
Torx countersunk screw M2.5 x 6, size T8	5470-20