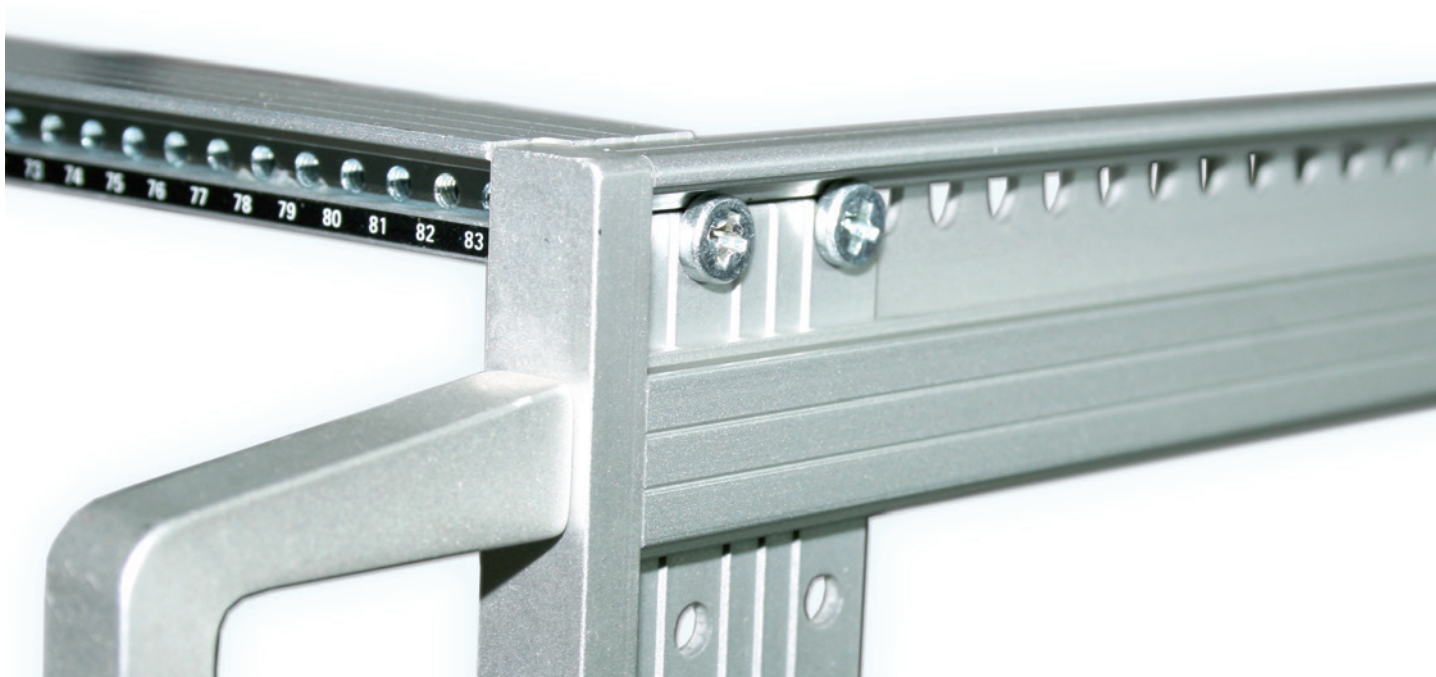


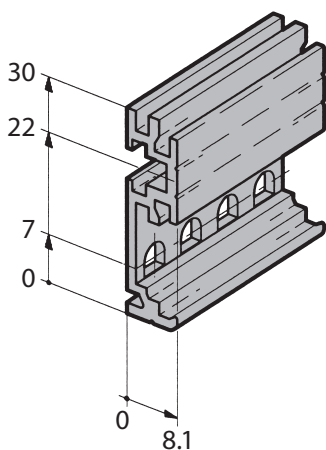
6: Extrusions



6.7 Depth Extrusions

6.7.1 Depth Extrusion 66-177

- Depth extrusion for universal sub rack Unibox 14
- **Scope of delivery:**
 - 1 depth extrusion without assembly material

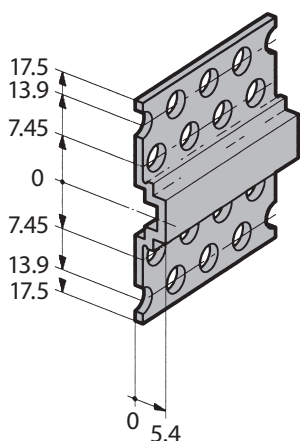


6.7.1.1 Depth Extrusion 66-177

Length		Part-No. clear anodised
mm	inch	
232.6	9.15	66-177-21
292.6	11.51	66-177-22
352.6	13.55	66-177-23
412.6	16.24	66-177-24
532.6	20.96	66-177-26

6.7.2 Depth Divider Extrusion 66-176

- Depth divider extrusion for universal sub rack Unibox 14
- **Scope of delivery:**
 - 1 depth extrusion without assembly material



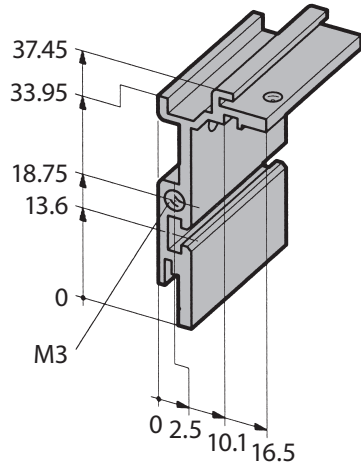
6.7.2.1 Depth Divider Extrusion 66-176

Length		Part-No. clear passivated
mm	inch	
292	11.49	66-176-22
412	16.22	66-176-24
532	20.94	66-176-26

6: Extrusions

6.7.3 Depth Extrusion 66-188

- To build up customised solutions
- For 6 U cassettes and modules type 23
- **Scope of delivery:**
 - 1 depth extrusion without assembly material

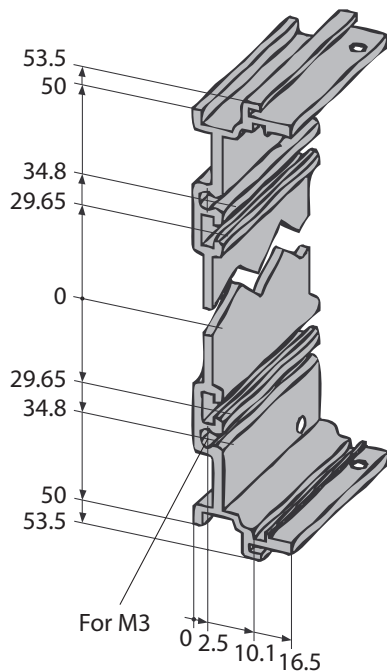


6.7.4 Depth Extrusion 66-188

Length		Part-No.	
mm	inch	clear passivated	raw
165.7	6.52	66-188-20	-
225.7	8.87	66-188-22	-
1350.0	53.14	-	66-188-14

6.7.4 Side Wall Extrusion 66-106

- To build up customised solutions
- For 3 U type 23 cassettes and modules
- **Scope of delivery:**
 - 1 pc. side wall extrusion without assembly material



6.7.5 Side Wall Extrusion 66-106

Length		Part-No.	
mm	inch	clear passivated	raw
165.7	6.52	66-106-20	-
225.7	8.87	66-106-21	-
1350.0	53.14	-	66-106-14