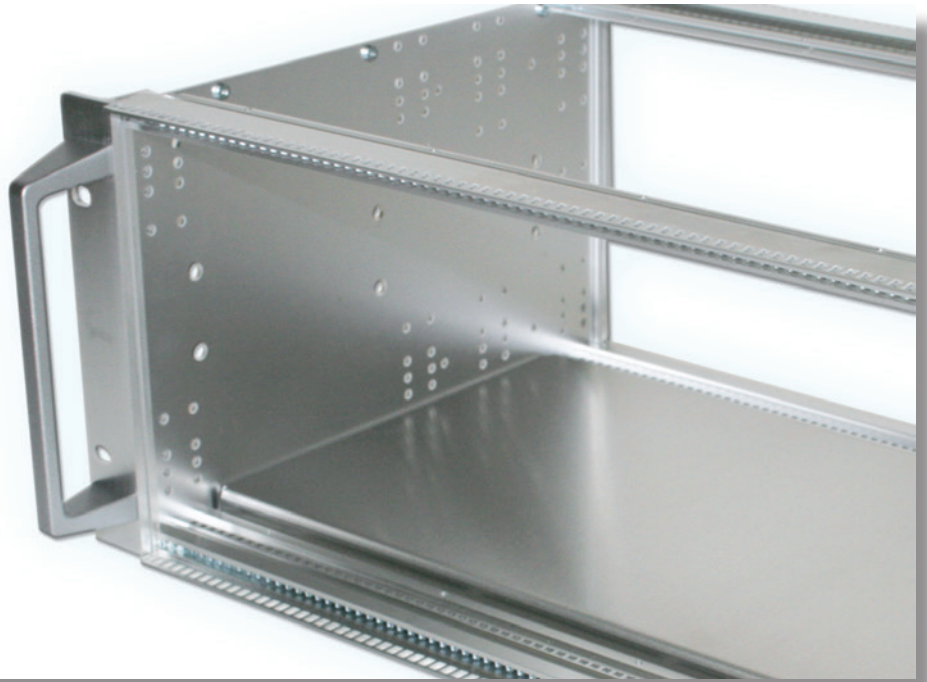


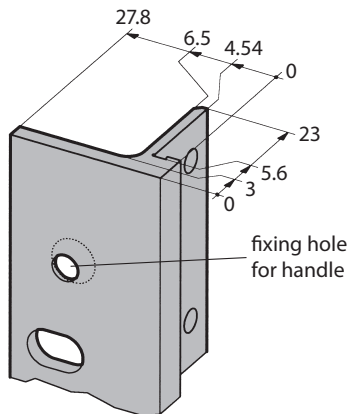
# 6: Extrusions



## 6.5 Height Extrusions

### 6.5.1 Height Extrusion 19" 66-175

- 19" height extrusion type 11
- For standard side panel 2 mm
- **Scope of delivery:**
  - 1 height extrusion without assembly material

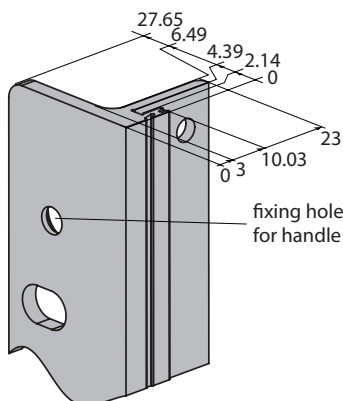


#### 6.5.1 Height Extrusion 66-175

| Length<br>for<br>U | Length |       | Part-No.<br>clear anodised<br>fixing hole for handle |           |
|--------------------|--------|-------|--|-----------|
|                    | mm     | inch  | without  | with      |
| 3                  | 132.5  | 5.20  | 66-175-23  | 66-175-33 |
| 4                  | 177.0  | 6.96  | 66-175-24  | 66-175-34 |
| 6                  | 265.9  | 10.46 | 66-175-26  | 66-175-36 |
| 7                  | 310.3  | 12.21 | 66-175-27  | 66-175-37 |
| 8                  | 354.8  | 13.96 | 66-175-28  | 66-175-38 |
| 9                  | 399.2  | 15.71 | 66-175-29  | 66-175-39 |
| 10                 | 443.7  | 17.47 | -  | 66-175-40 |
| 12                 | 532.6  | 20.96 | 66-175-32  | -         |

### 6.5.2 Height Extrusions 19" 66-275

- 19" height extrusion type Systemkit 12K
- For standard side panel 2 mm
- **Scope of delivery:**
  - 1 height extrusion without assembly material



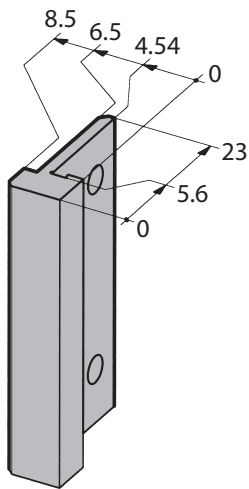
#### 6.5.2 Height Extrusions 19" 66-275

| Length<br>for<br>U | Length |       | Part-No.<br>clear passivated<br>fixing hole for handle |           |
|--------------------|--------|-------|--|-----------|
|                    | mm     | inch  | without  | with      |
| 2                  | 88.0   | 3.46  | -  | 66-275-32 |
| 3                  | 132.5  | 5.20  | 66-275-23  | 66-275-33 |
| 4                  | 177.0  | 6.96  | 66-275-24  | 66-275-34 |
| 6                  | 265.9  | 10.46 | 66-275-26  | 66-275-36 |
| 7                  | 310.3  | 12.21 | 66-275-27  | 66-275-37 |
| 9                  | 399.2  | 15.71 | 66-275-29  | 66-275-39 |

# 6: Extrusions

## 6.5.3 Height Extrusion 66-174

- Height extrusion type 11
- For standard side panel 2 mm
- **Scope of delivery:**
  - 1 height extrusion without assembly material

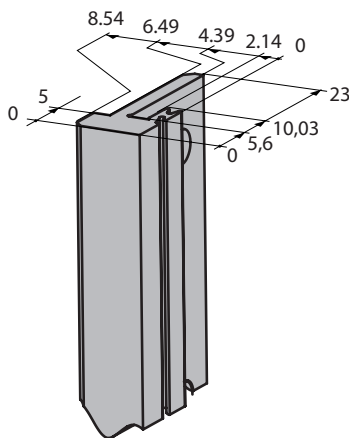


### 6.5.3 Height Extrusion 66-174

| Length<br>for U | mm    |       | Part-No.<br>clear anodised |
|-----------------|-------|-------|----------------------------|
|                 | mm    | inch  |                            |
| 3               | 132.5 | 5.20  | 66-174-23                  |
| 4               | 177.0 | 6.96  | 66-174-24                  |
| 6               | 265.9 | 10.46 | 66-174-26                  |
| 7               | 310.3 | 12.21 | 66-174-27                  |
| 8               | 354.8 | 13.96 | 66-174-28                  |
| 9               | 399.2 | 15.71 | 66-174-29                  |
| 10              | 443.7 | 17.47 | 66-174-30                  |
| 12              | 532.6 | 20.96 | 66-174-32                  |

## 6.5.4 Height Extrusions 66-274

- 19" height extrusion type Systemkit 12K
- For standard side panel 2 mm
- Shape to direct mounting of the EMC-gasket 81-062-xx
- **Scope of delivery:**
  - 1 height extrusion without assembly material



### 6.5.4.1 Height Extrusions 66-274

| Length<br>for U | mm    |       | Part-No.<br>clear passivated |
|-----------------|-------|-------|------------------------------|
|                 | mm    | inch  |                              |
| 2               | 88.0  | 3.46  | 66-274-22                    |
| 3               | 132.5 | 5.20  | 66-274-23                    |
| 4               | 177.0 | 6.96  | 66-274-24                    |
| 6               | 265.9 | 10.46 | 66-274-26                    |
| 7               | 310.3 | 12.21 | 66-274-27                    |
| 9               | 399.2 | 15.71 | 66-274-29                    |

### 6.5.4.2 Height Extrusions 66-274 with Cut-out for Telescopic Rails

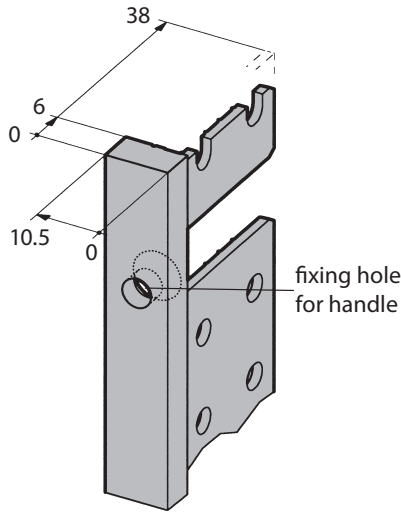
- Cut-out for telescopic rails

| Length<br>for U | mm    |       | Part-No.<br>clear passivated |           |
|-----------------|-------|-------|------------------------------|-----------|
|                 | mm    | inch  | left                         | right     |
| 3               | 132.5 | 5.20  | 66-274-63                    |           |
| 4               | 177.0 | 6.96  | 66-274-64                    |           |
| 6               | 265.9 | 10.46 | 66-274-66                    | 66-274-76 |
| 7               | 310.3 | 12.21 | 66-274-67                    | 66-274-77 |
| 9               | 399.2 | 15.71 | 66-274-69                    | 66-274-79 |

# 6: Extrusions

## 6.5.5 Height Extrusion 66-173

- Height extrusion for Unibox 14
- Slim version with or without fixing hole for handle
- **Scope of delivery:**
  - 1 height extrusion without assembly material

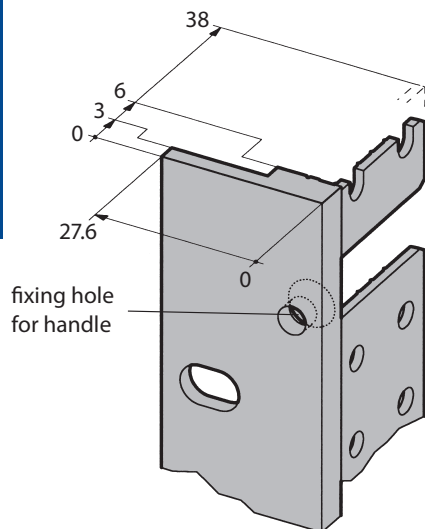


### 6.5.5 Height Extrusion 66-173

| Length<br>for<br>U | Length |       | Part-No.<br>clear anodised<br>fixing hole for handle |           |
|--------------------|--------|-------|--|-----------|
|                    | mm     | inch  | without  | with      |
| 2                  | 88.1   | 3.46  | 66-173-20  | 66-173-21 |
| 3                  | 132.5  | 5.20  | 66-173-22  | 66-173-23 |
| 4                  | 177.0  | 6.96  | 66-173-24  | 66-173-25 |
| 5                  | 221.5  | 8.72  | 66-173-26  | 66-173-27 |
| 6                  | 265.9  | 10.46 | 66-173-28  | 66-173-29 |

## 6.5.6 Height Extrusion 19" 66-179

- With or without fixing hole for handle
- 19" height extrusion for Unibox 14 / 84 HP
- **Scope of delivery:**
  - 1 height extrusion without assembly material



### 6.5.6 Height Extrusion 66-179

| Length<br>for<br>U | Length |       | Part-No.<br>clear anodised<br>fixing hole for handle |           |
|--------------------|--------|-------|--|-----------|
|                    | mm     | inch  | without  | with      |
| 2                  | 88.1   | 3.46  | 66-179-22  | 66-179-32 |
| 3                  | 132.5  | 5.20  | 66-179-23  | 66-179-33 |
| 4                  | 177.0  | 6.96  | 66-179-24  | 66-179-34 |
| 5                  | 221.5  | 8.72  | 66-179-25  | 66-179-35 |
| 6                  | 265.9  | 10.46 | 66-179-26  | 66-179-36 |
| 7                  | 310.3  | 12.21 | 66-179-27  | 66-179-37 |
| 8                  | 354.8  | 13.96 | 66-179-28  | 66-179-38 |
| 9                  | 399.2  | 15.71 | 66-179-29  | 66-179-39 |