

# 6: Ventilation



## 6.3 General Accessories for Ventilation

### 6.3.1 Fan Mounting Panels

- The fan-mounting panel are designed for easy fitting of axial-flow fans for vertical and cross-flow ventilation of 160 mm deep cards in cases and modules.
- The panels are fixed to the horizontal extrusion using 6/4 screws (M3x10)
- Aluminium 1.5 mm, raw
- **Scope of delivery:**
  - 1 fan mounting panel
- Assembly material see below

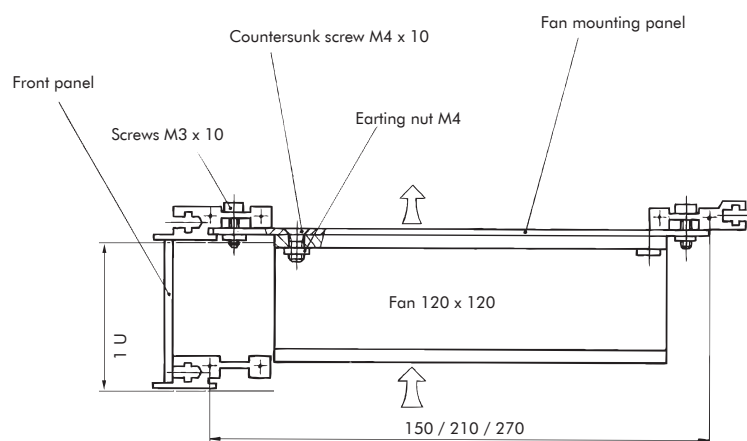


#### 6.3.1.1 Fan Mounting Panels for Vertical Ventilation

Case Width	No. of Fans	Fan Size		Mounting Panel Size		Part-No.
		mm	inch	mm	inch	
42 - 84 HP	1	120x120	4.8x4.8	149x150	5.86x5.90	27-048
84 HP (card depth 160 mm)	3	120x120	4.8x4.8	148x430.8	5.82x16.96	27-043

#### Assembly Material

Description	Part-No.
Cross recessed milled edge screw M3 x 10	5330-10
Cross recessed countersunk screw M4 x 10	5342-10
Earthing nut M4	61-095



## 6.3.1.2 Fan Mounting Panels for Cross-flow Ventilation (Horizontal Mounting Kits)



Mounting Height	No. of Fans	Fan Size		Mounting Panel Size		Part-No.
		mm	inch	mm	inch	
3 U	1	90x90	3.6x3.6	105.5 x 149	4.15 x 5.86	27-049
4 U	1	120x120	4.8x4.8	150 x 149	5.90 x 5.86	27-048

### Assembly Material

Description	Part-No.
Cross recessed milled edge screw M3 x 10	5330-10
Cross recessed countersunk screw M4 x 10	5342-10
Earthing nut M4	61-095

