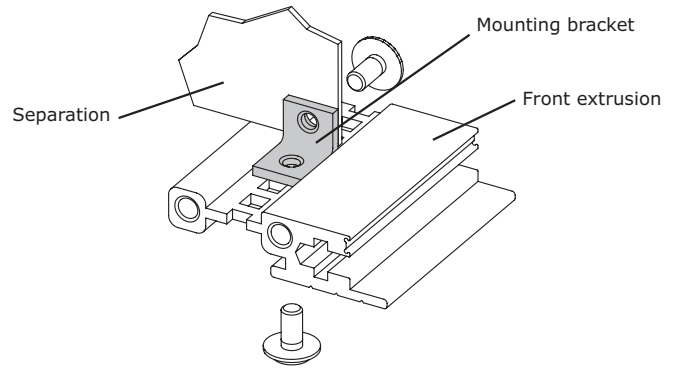


3: PCB Accessories

3.8 Mounting Brackets

- Assembly of a separation
- Separations are manufactured as required by the customer
- Sheet steel
- **Scope of delivery:**
 - 1 mounting bracket
- Assembly material, see below



3.8 Mounting Brackets

Description	Part-No.
Mounting brackets	61-416

Assembly Material

Description	Part-No.
Round head screws cross recessed M3 x 6	5335-06
Round head screws Torx M3 x 6, size T10	5473-01