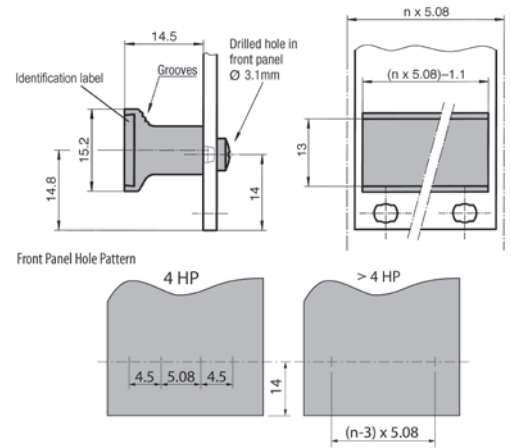


# 1: Unibox 14

## 1.6.11.2 Rigid-Mounted Unit Handles with Identification Label

- Black, plastic UL94 V-0, label aluminium anodised
- **Scope of delivery:**
  - Rigid-mounted handle
  - Identification label
- Assembly material see below



## 1.6.11.2 Rigid-Mounted Handle with Identification Label

Width	Scope of Delivery	Part-No.
4 HP	10 pcs.	60-200-04
5 HP	10 pcs.	60-200-05
6 HP	10 pcs.	60-200-06
7 HP	10 pcs.	60-200-07
8 HP	10 pcs.	60-200-08
10 HP	10 pcs.	60-200-10
12 HP	10 pcs.	60-200-12
14 HP	1 pc.	60-200-14

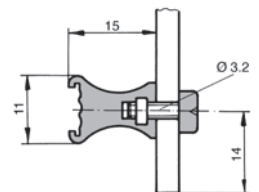
- Other sizes (up to 84 HP) are available upon request

### Assembly Material

Description	Part-No.
Cross recessed rounded head screw	61-276

## 1.6.11.3 Fluted Handles

- Extruded aluminium handles, shaped to facilitate withdrawal of plug-in units
- Two grooves in the front face will accept identification strips (0.5 x 9 mm)
- **Scope of delivery:**
  - Extruded handle, clear anodised
  - Assembly material



## 1.6.11.3 Fluted Handles for Front Panels to IEC

Front Panel Width HP	Width		Handle Length		Part-No.
	mm	inch	mm	inch	
3 HP	15.0	0.59	12.5	0.49	60-103
4 HP	20.1	0.79	17.6	0.69	60-104
5 HP	25.2	0.99	22.6	0.88	60-105
6 HP	30.3	1.19	27.7	1.09	60-106
7 HP	35.3	1.38	33.5	1.31	60-107
8 HP	40.4	1.59	37.9	1.49	60-108
10 HP	50.6	1.99	48.0	1.88	60-110
12 HP	60.8	2.39	58.2	2.29	60-112
14 HP	70.9	2.79	69.1	2.72	60-114
16 HP	81.1	3.19	78.5	3.09	60-116
21 HP	106.5	4.18	104.6	4.11	60-121
30 HP	152.2	5.99	149.6	5.88	60-130
40 HP	203.0	7.99	200.4	7.88	60-140
60 HP	304.6	11.99	302.0	11.88	60-160
84 HP	426.5	16.79	424.0	16.69	60-184