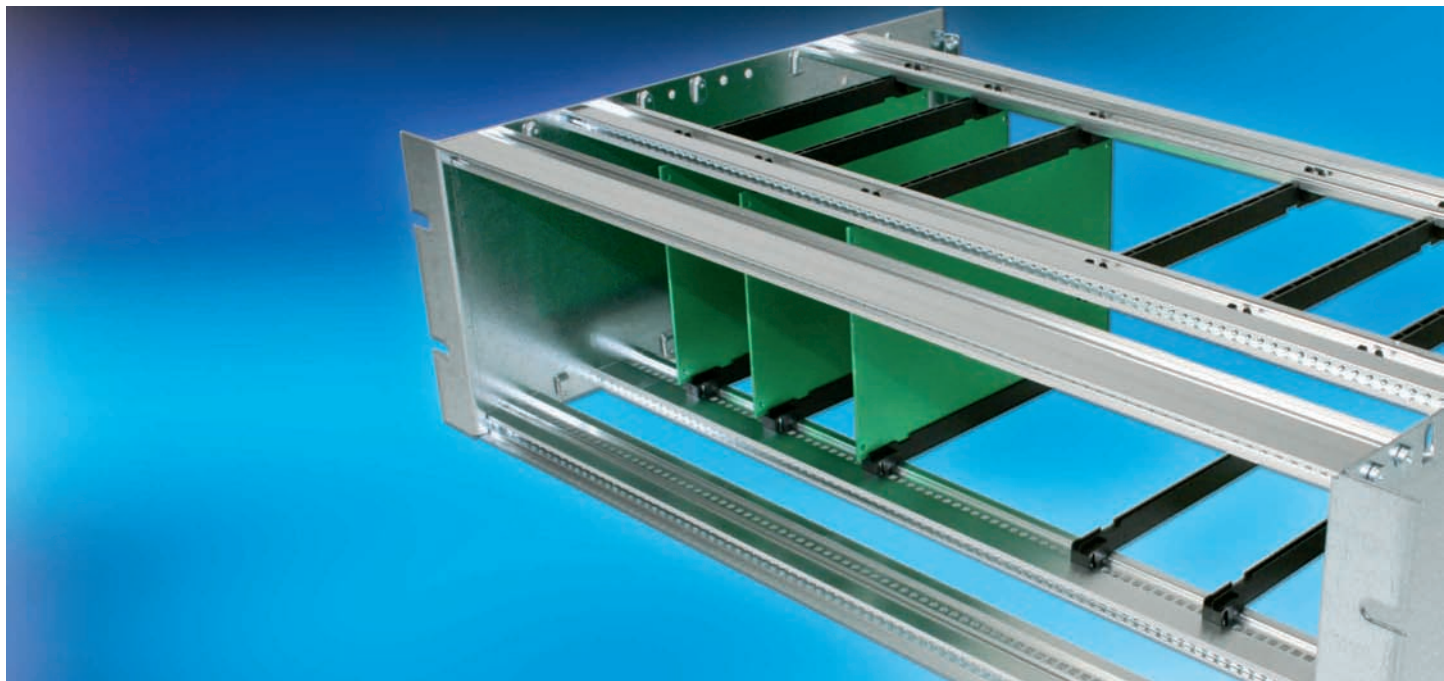
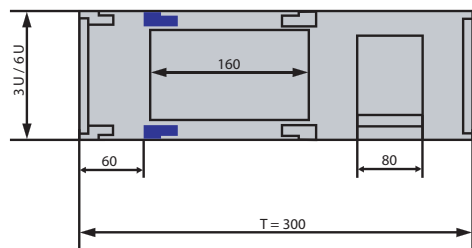


A



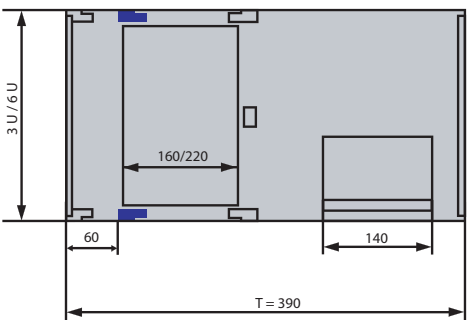
## 3.3 Adaptation Kit

### 3.3.1 Adaptation Kit



#### 3.3.1 Adaptation Kit

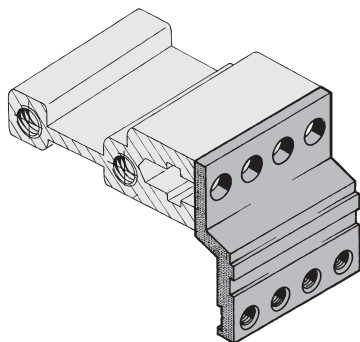
- **Range of Application:**
  - Recessed mounting of single / double eurocards, depth 160 – 220 mm
  - Without individual front panels
- **Scope of delivery:**
  - 2 internal extrusions
  - 2 tapped strips
  - 1 set assembly material



<b>Description</b>	<b>84 HP</b>
Recessed mounting of single / double eurocards without front panels	11-530

### 3.3.2 Edge Connector Extrusion 66-147

- For use with extrusions for backplanes 66-193
- **Scope of delivery:**
  - 1 aluminium extrusion, clear passivated (conductive)



#### 3.3.6 Edge Connector Extrusion

Description	8 HP	18 HP	28 HP	42 HP	63 HP	84 HP
For edge connector, IEC 60603-2	66-147-40	66-147-41	66-147-42	66-147-63	66-147-65	66-147-52

#### Assembly Material

<b>Description</b>	<b>Part-No.</b>
Assembly material M2.5 (for 2 supplementary extrusions)	63-214