

# Enclosures & Components

## Stylebox 15

### System Solutions

Integrated Systems Chassis Platforms Backplanes Embedded Products Cabinets

### Enclosures & Components

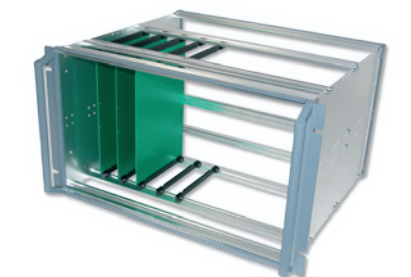
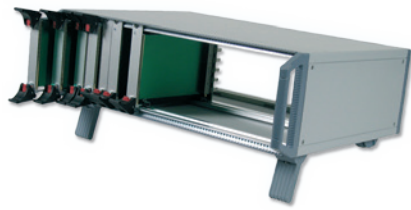
Enclosures Front Panels Handles

### Rotary Switches

Switches/Encoders Knobs LEDs

**ELMA**  
Your Solution Partner

# 2: Stylebox 15



## 2.1 Stylebox 15 Overview

B | 2\_3

2.1.1 Complete Stylebox 15 Kits

B | 2\_7

2.1.2 Stylebox 15 Standard Kit

B | 2\_8

## 2.2 Stylebox 15 Smart

B | 2\_10

2.2.1 Width

B | 2\_11

2.2.2 Height Bezel

B | 2\_11

2.2.3 Depth

B | 2\_11

2.2.4 Top Cover Panel

B | 2\_12

2.2.5 Bottom Cover

B | 2\_12

2.2.6 Side Panel

B | 2\_13

2.2.7 Rear Panel

B | 2\_14

2.2.8 Portable Desktop Handle

B | 2\_14

## 2.3 Stylebox 15 Standard

B | 2\_15

2.3.1 Width

B | 2\_16

2.3.2 Height Bezel

B | 2\_16

2.3.3 Depth

B | 2\_16

2.3.4 Top Cover

B | 2\_17

2.3.5 Bottom Cover

B | 2\_17

2.3.6 Side Panel

B | 2\_18

2.3.7 Portable Desktop Handle

B | 2\_18

2.3.8 Drawing Stylebox 15 Smart and Standard

B | 2\_19

## 2.4 Adaptation Kits

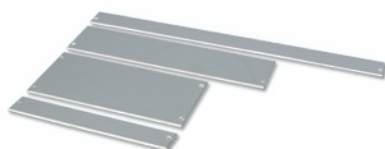
B | 2\_22

2.4.1 Adaptation Kit a

B | 2\_22

2.4.2 Edge Connector Extrusion 66-147-xx

B | 2\_23



## 2.5 Assembly Accessories B | 2\_24

2.5.1 Front Sub Division Vertical for 6 U System or 6 U Assembly	B   2_24
2.5.2 Horizontal Card Mounting Kit for Double Eurocards (6 U)	B   2_25
2.5.3 Mounting Chassis	B   2_26
2.5.4 Rear Feet for Stylebox 15 Standard	B   2_28
2.5.5 EMC Shielding	B   2_28
2.5.6 Earthing Set	B   2_30

## 2.6 General Accessories B | 2\_31

2.6.1 Card Guides IEC	B   2_31
2.6.2 Card Guides acc. to IEEE	B   2_33

## 2.7 Front Panels B | 2\_36

2.7.1 Flat Front Panels	B   2_36
2.7.2 EMC Flat Front Panels	B   2_37
2.7.3 Fan Front Panels	B   2_40
2.7.4 Hinged Front Panels	B   2_42
2.7.5 Plug-In Units acc. to IEC	B   2_44
2.7.6 EMC Plug-In Units acc. to IEC	B   2_47
2.7.7 Plug-In Units acc. to IEEE	B   2_51

## 2.8 Extrusions B | 2\_55

2.8.1 Front Extrusions	B   2_55
2.8.2 Internal Extrusions	B   2_57



## 2.1 Stylebox 15 Overview

- The Elma Stylebox 15 case system consists of four longitudinal sections and two side panels as loadbearing frame and casing
- The top and bottom covers are provided with spring catches, which engage in special slots on the longitudinal sections. They are also screwed at the side to increase the torsional rigidity of the case
- The lateral cover plates are secured with a simple Velcro fastener
- The front of the case can be fitted as required with cover panels, front handles or 19" fixing brackets. This permits subsequent conversion from a desktop case to a 19" module unit and vice-versa
- The mounting dimensions at front and rear comply with IEC 60297
- The side panels are passivated. The supporting surfaces of the longitudinal sections and top/bottom plates are clear and clear passivated. This provides a large contact area for long-term EMI/RFI protection
- The top design and the variety of sizes and models, together with the full range of Elma accessories, are ideal solutions for a wide range of applications, including measuring units, controllers, computer systems, etc.

### Sturdy, flexible and portable

#### Technical features

- Superior EMC-shielding options available
- Easy conversion from desktop to 19" rack mount case
- Dimensions to IEC 60297
- Simple assembly
- Easy access
- Elegant design

#### Options

- Numerous accessories
- Internal mounting chassis
- Horizontal and vertical insertion of eurocards
- Cooling

#### Applications

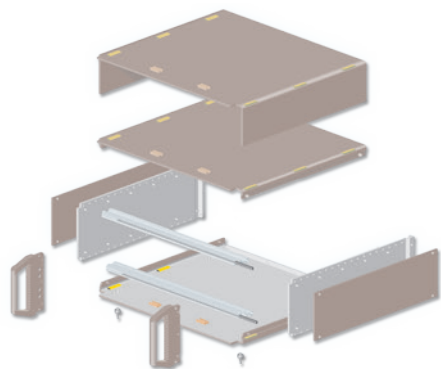
- Measurement and test instruments
- Lab and field service instruments
- Controls
- Computers

#### Colours

- Stylebox 15 Smart
  - Light grey (RAL 7035)
- Stylebox 15 Standard
  - Case elements powder-coated light-grey (NCS 2502-B)
  - Frame powder-coated, feet plastic dark-grey (NCS 5010-R90B)
- Other colours available upon request, see section F "Customisation and Services"

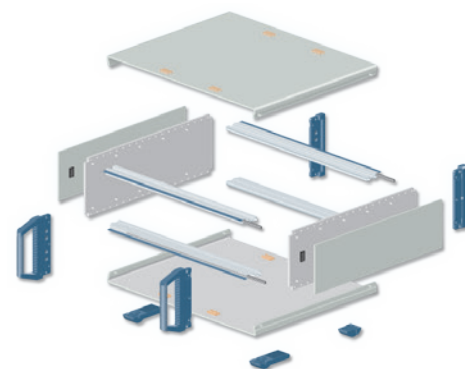
# 2: Stylebox 15

## Types and Sizes



### Stylebox 15 Smart

- Extrusions and sides aluminium
- Covers of galvanized steel
- Advanced EMC-shielding as standard



### Stylebox 15 Standard

- Extrusions and inner sides aluminium
- Aluminium covers
- EMC-shielding basic as standard

### Desktop Case without Handles



### Desktop Case with Front Handles



### Portable Desktop Case



### 19" Case with Front Handles



Width	42 HP		63 HP		84 HP	
	Smart	Standard	Smart	Standard	Smart	Standard
2 U						
3 U						
4 U						
6 U						

Depth  245 mm 9.64"  305 mm 12.00"  395 mm 15.55"  500 mm 19.68"

# 2: Stylebox 15

## EMC

“Electromagnetic compatibility is the ability of a system to operate in the intended environment without causing or suffering unacceptable degradation of performance due to unintentional electromagnetic radiation or response.” The EMC characteristics of a system therefore consist of an appropriate immunity from interference (noise immunity) and a limited emission of interference (noise emission).

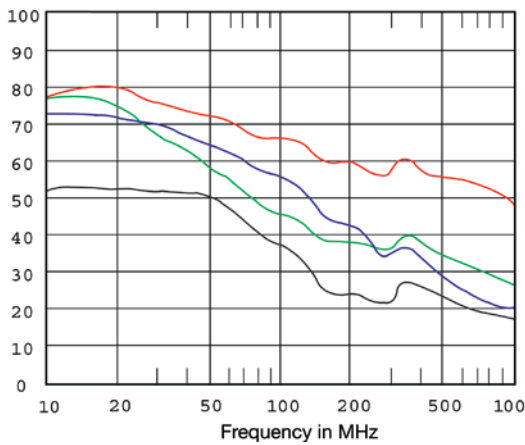
Elma’s EMC concept describes three levels of electromagnetic shielding performance (Performance Level). The attenuation levels will simplify the selection of sub racks for the user. Test setup: The first measurement E1 is without the enclosure. The next measurement E2 is made with the transmitting antenna installed inside the enclosure. The difference between the received signal without and with the enclosure represents the shielding effectiveness in dB.

Performance Level	30 - 230 MHz	230 - 1000 MHz	1000 - 2000 MHz
1 / Elma: Basic level	20 dB	10 dB	0 dB
2 / Elma: Advanced level	40 dB	30 dB	20 dB
3 / Elma: Superior level	60 dB	50 dB	40 dB

The standard configuration will provide you with a basic (Stylebox 15 Standard) or an advanced EMC level (Stylebox 15 Smart). If you require an advanced or superior EMC level for your system, you need to order **additional EMC parts**. Throughout the catalogue we have put all EMC parts **in a yellow table**.

### Typical Attenuation

Typical shielding effectiveness in dB



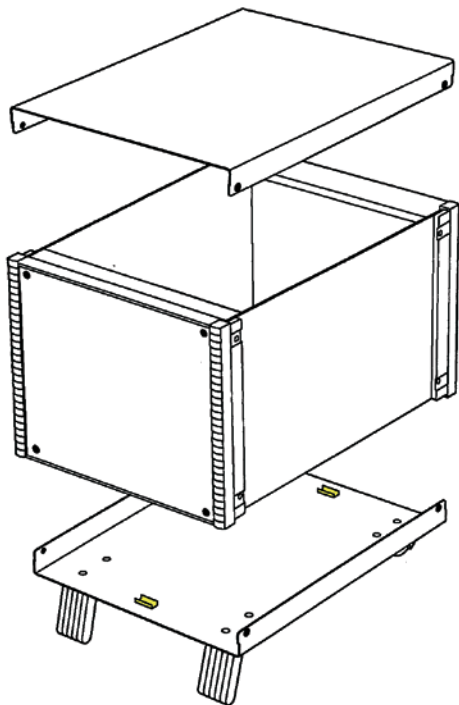
- EMC basic level Case size 4 U-x-42 HP-x-245 mm (9.64") with standard front panels (cover panels perforated and unperforated)
- EMC basic level Case size 4 U-x-84 HP-x-395 mm (15.55") with standard front panels (cover panels perforated and unperforated)
- Advanced EMC level Case size 4 U-x-84 HP-x-395 mm (15.55") with EMC front panels and gasket set for advanced EMC level (cover panels perforated and unperforated)
- Superior EMC level Case size 4 U-x-84 HP-x-395 mm (15.55") with EMC front panels and gasket set for superior EMC level (cover panels perforated and unperforated)

## 2: Stylebox 15

### EMC Layout & Configuration Options

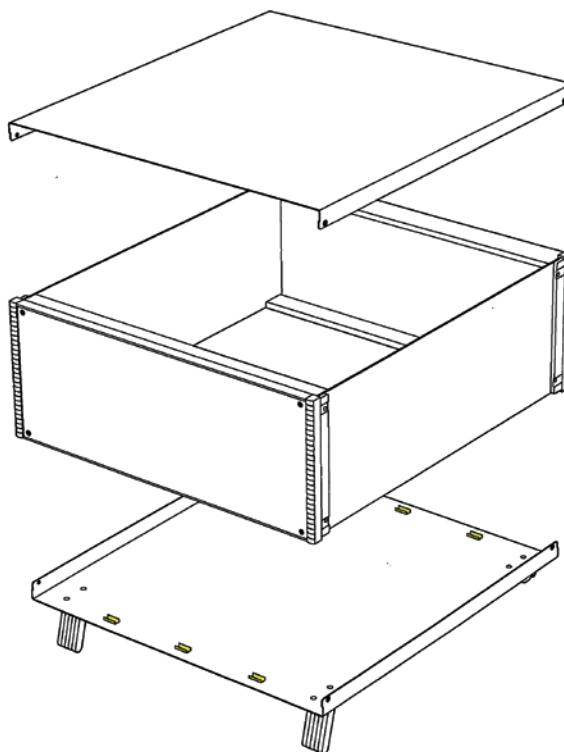
#### Basic Level

Stylebox 15 Standard  
Size 4 U x 42 HP x 245 mm  
with standard front panels  
(cover plates perforated or unperforated)



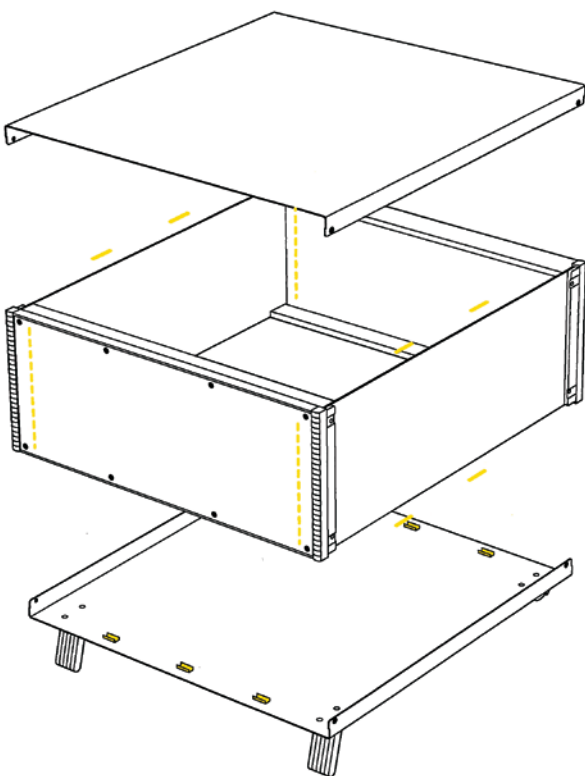
#### Basic Level

Stylebox 15 Standard  
Size 4 U x 84 HP x 395 mm  
with standard front panels  
(cover plates perforated or unperforated)



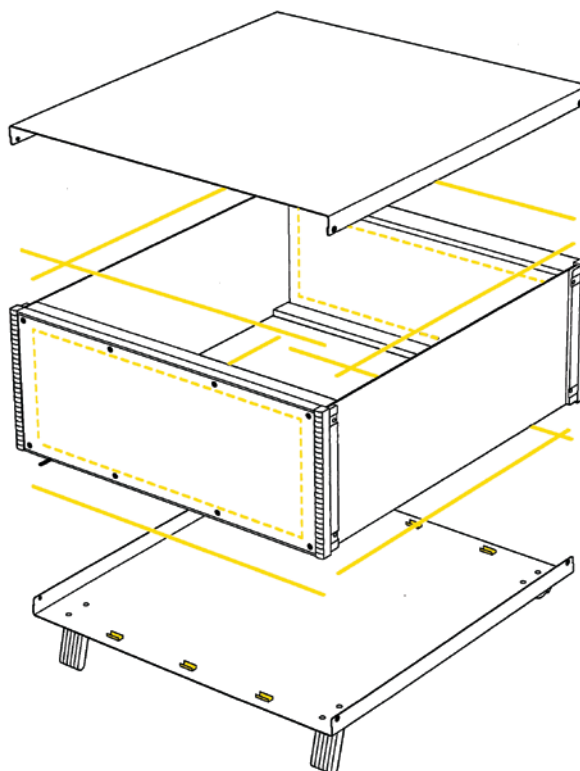
#### Advanced Level

Stylebox 15 Standard  
Size 4 U x 84 HP x 395 mm  
with EMC front panels and gasket kit  
(cover plates perforated or unperforated)



#### Superior Level

Stylebox 15 Standard  
Size 4 U x 84 HP x 395 mm  
with EMC front panels and gasket kit  
(cover plates perforated or unperforated)

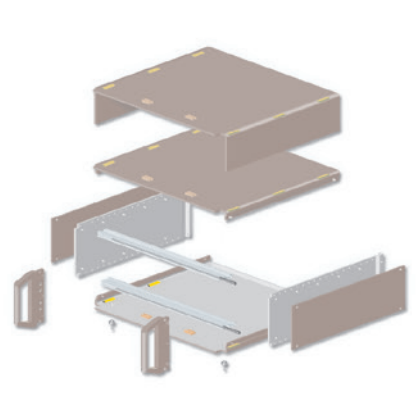


# 2: Stylebox 15

## 2.1.1 Complete Stylebox 15 Kits

You can find the most used complete kits below.

With the new order structure (see "Configuration" on page 2\_9) you have however the possibility of configure your individual housing in different steps. Use this offer or contact us for further information or any other help.

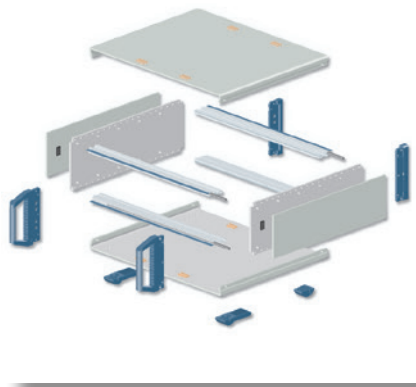


### 2.1.1 Stylebox 15 Smart Kit

- **Scope of delivery:**
  - 2 height bezels (detail see 2.2.2)
  - 2 front extrusions (detail see 2.2.1)
  - 2 tapped strips M2.5 (detail see 2.2.1)
  - 1 top cover panel, solid, light grey (detail see 2.2.4)
  - 1 bottom cover panel, solid, light grey (detail see 2.2.5)
  - 2 internal side panels (detail see 2.2.3)
  - 2 external side panels, solid, light grey (detail see 2.2.6)
  - 1 set of 4 pieces plastic feet (detail see 2.2.5.2)
  - 1 set assembly material
  - 1 set of EMC gaskets (detail see 2.5.8.1)
- Rear panel have to be ordered separately, see 2.2.7

Description	Height	Width	Depth		
			245 mm 9.64"	305 mm 12.00"	395 mm 15.55"
Desktop with front handles	2 U	42 HP	15A02212-30	-	-
Desktop with front handles		63 HP	-	15A02223-30	-
Desktop With front handles		84 HP	-	15A02243-30	-
19" case with front handles		84 HP	15A03242-30	15A03243-30	-
Desktop with front handles	3 U	42 HP	15A02312-30	-	-
Desktop with front handles		63 HP	15A02322-30	15A02323-30	-
Desktop With front handles		84 HP	-	15A02343-30	15A02344-30
19" case with front handles		84 HP	15A03342-30	15A03343-30	15A03344-30
19" case with front handles	4 U	84 HP	-	15A03443-30	15A03444-30





## 2.1.2 Stylebox 15 Standard Kit

- **Scope of delivery:**
  - 2 front height bezels (detail see 2.3.2)
  - 2 rear height bezels (detail see 2.3.2)
  - 4 front/rear extrusions IEC (detail see 2.3.1)
  - 1 top cover panel, solid, light grey (detail see 2.3.4)
  - 1 bottom cover panel incl. feet, solid, light grey (detail see 2.3.5)
  - 2 internal side panels (detail see 2.3.3)
  - 2 external side panels, solid, light grey (detail see 2.3.6)
  - 1 set assembly material
- Tapped strips have to be ordered separately, see below
- Front / Rear panel have to be ordered separately, see 2.7

Description	Height	Width	Depth		
			245 mm 9.64"	305 mm 12.00"	395 mm 15.55"
Desktop with front handles	2 U	42 HP	15-02212-10	15-02213-10	-
Desktop with front handles		63 HP	15-02222-10	15-02223-10	15-02224-10
19" case with front handles		84 HP	-	15-03243-10	15-03244-10
Desktop with front handles	3 U	42 HP	15-02312-10	15-02313-10	-
Desktop with front handles		63 HP	15-02322-10	15-02323-10	-
Desktop With front handles		84 HP	-	15-02343-10	15-02344-10
19" case with front handles		84 HP	-	15-03343-10	15-03344-10
Desktop with front handles	4 U	63 HP	-	15-02423-10	15-02424-10
Desktop With front handles		84 HP	-	15-02443-10	15-02444-10
19" case with front handles		84 HP	-	-	15-03444-10
19" case with front handles	6 U	84 HP	-	-	15-03644-10



### 2.1.2.1 Tapped Strips

- Steel, zinc-plated
- **Scope of delivery:**
  - 1 tapped strip

Size	42 HP	63 HP	84 HP
M2.5 / 2 x 6mm	61-464	61-469	61-468

# 2: Stylebox 15

## Configuration



Type



Stylebox 15 Smart  
Follow 2.2

Stylebox 15 Standard  
Follow 2.3

### Frame

Width  
2.2.1 / 2.3.1

- 42 HP / 63 HP / 84 HP

Height  
2.2.2 / 2.3.2

- 2 U / 3 U / 4 U / 6 U (Standard only)  
- Without / with handles  
- Portable desktop  
- 19" with front handles

Depth  
2.2.3 / 2.3.3

- 245 mm / 305 mm / 395 mm /  
500 mm (Standard only)

### Covers

Top Cover  
2.2.4 / 2.3.4

- Solid / perforated  
- Width: 42 HP / 63 HP / 84 HP

Bottom Cover  
2.2.5 / 2.3.5

- Solid / perforated  
- Width: 42 HP / 63 HP / 84 HP

Feet

Side Panels  
2.2.6 / 2.3.6

- Height: 2 U / 3 U / 4 U  
- Width: 42 HP / 63 HP / 84 HP  
- Solid / solid for portable desktop

Rear Panel  
2.2.7 / 2.3.7

- Height: 2 U / 3 U / 4 U /  
6 U (Standard only)  
- Depth: 245 mm / 305 mm / 395 mm /  
500 mm (Standard only)

Portable Desktop Handle  
2.2.8 / 2.3.8

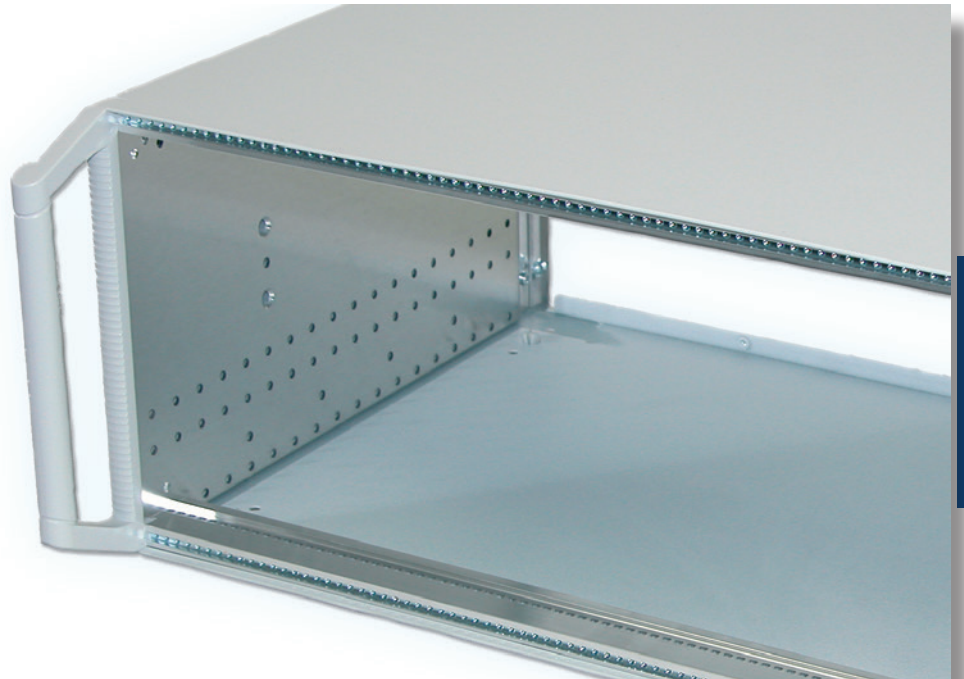
2.4 Adaption Kits

2.5 Assembly Accessories

2.6 General Accessories

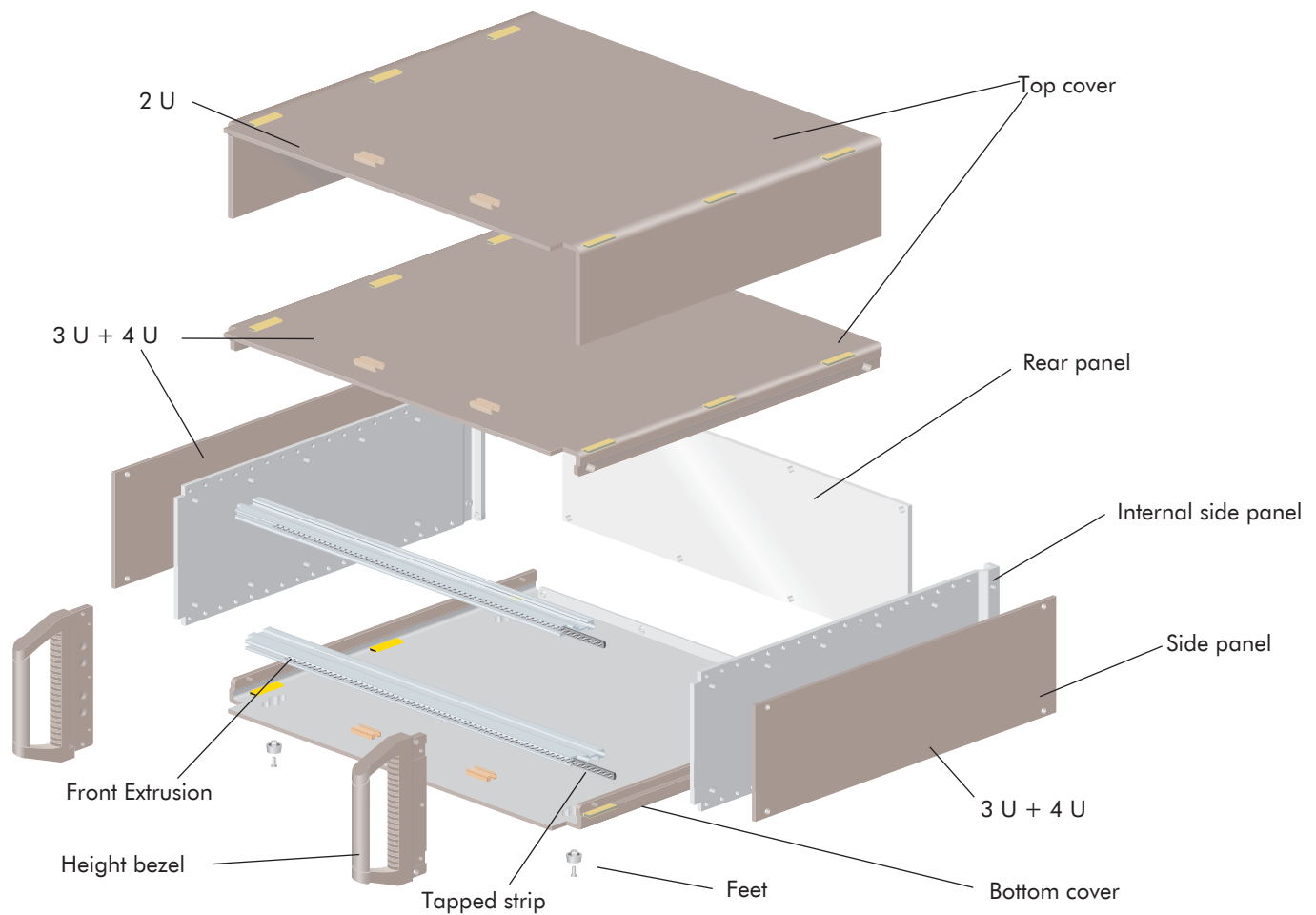
2.7 Front Panels

2.8 Extrusions



### 2.2 Stylebox 15 Smart

- Extrusions and sides aluminium
- Covers of galvanized steel
- Advanced EMC-shielding as standard
- Dimensions to IEC 60297
- Modern design
- Simple assembly
- Conductive contact surfaces
- Visible surfaces are powder-coated
- Colour: Light grey (RAL 7035)



# 2: Stylebox 15

## 2.2.1 Width

- For Stylebox 15 Smart
- Extrusions: Aluminium, conductive
- **Scope of delivery:**
  - 2 front extrusions
  - 2 tapped strips M2.5
  - 1 set of 8 screws cross recessed M4 x 10

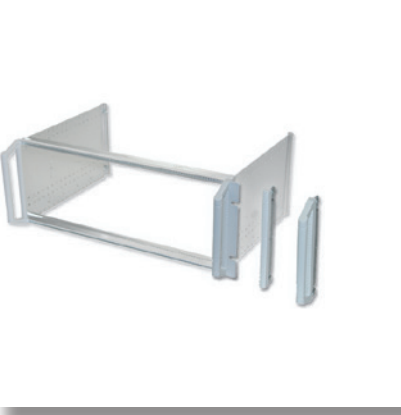


### 2.2.1 Width

42 HP	63 HP	84 HP
15S001	15S002	15S003

## 2.2.2 Height Bezel

- For Stylebox 15 Smart
- Die cast parts: Aluminium, powder coated
- Contact area conductive
- **Scope of delivery:**
  - 2 height bezels



### 2.2.2 Height Bezel

Description	2 U	3 U	4 U
Without handles	15S010	15S011	15S012
With front handles	15S013	15S014	15S015
19" with front handles	15S016	15S017	15S018

## 2.2.3 Depth

- For Stylebox 15 Smart
- 2.0 mm Aluminium, clear passivated
- **Scope of delivery:**
  - 1 internal side panel
- 2 pcs. have to be ordered (for left and right side)



### 2.2.3 Depth

For Height	245 mm 9.64"	305 mm 12.00"	395 mm 15.55"
2 U	15A520	15A522	-
3 U	15A530	15A532	15A534
4 U left	-	15A542	15A544
4 U right	-	15A543	15A545

# 2: Stylebox 15

## 2.2.4 Top Cover Panel

- For Stylebox 15 Smart
- 0.75 mm sheet steel, powder coated, contact area conductive
- **Scope of delivery:**
  - 1 top cover panel
- Assembly material see below



### 2.2.4.1 Versions for Height 2 U

Description	Width	Depth	
		245 mm 9.64"	305 mm 12.00"
Solid, light grey	42 HP	15A221-30	15A222-30
Perforated, light grey		15A221-31	15A222-31
Solid, light grey	63 HP	15A226-30	15A227-30
Perforated, light grey		-	15A227-31
Solid, light grey	84 HP	15A231-30	15A232-30
Perforated, light grey		15A231-31	15A232-31

### 2.2.4.2 Versions for Height > 2 U

Description	Width	Depth		
		245 mm 9.64"	305 mm 12.00"	395 mm 15.55"
Solid, light grey	42 HP	15A201-30	15A202-30	-
Perforated, light grey		15A201-31	15A202-31	-
Solid, light grey	63 HP	15A206-30	15A207-30	-
Perforated, light grey		15A206-31	15A207-31	-
Solid, light grey	84 HP	15A211-30	15A212-30	15A213-30
Perforated, light grey		15A211-31	15A212-31	15A213-31

### 2.2.4.3 Assembly material

- For 2 U Version, 4 screws are needed

Description	Part-No.
Cross recessed countersunk screw M3x6 (4 x M3x6)	5332-76

## 2.2.5 Bottom Cover

- For Stylebox 15 Smart
- 0.75 mm sheet steel, powder coated, contact area conductive
- **Scope of delivery:**
  - 1 bottom cover panel
- Feet for bottom cover panel see 2.2.5.2



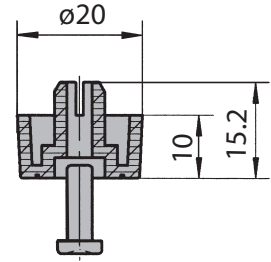
### 2.2.5.1 Bottom Cover Panel

Description	Width	Depth		
		245 mm 9.64"	305 mm 12.00"	395 mm 15.55"
Solid, light grey	42 HP	15A301-30	15A302-30	-
Perforated, light grey		15A301-31	15A302-31	-
Solid, light grey	63 HP	15A306-30	15A307-30	-
Perforated, light grey		15A306-31	15A307-31	-
Solid, light grey	84 HP	15A311-30	15A312-30	15A313-30
Perforated, light grey		15A311-31	15A312-31	15A313-31

# 2: Stylebox 15

## 2.2.5.2 Feet

- For Stylebox 15 Smart
- Plastic, UL 94 V0
- Easy and fast mounting without tools
- **Scope of delivery:**
  - Set of 4 pieces plastic feet
  - Incl. push rivet



### 2.2.5.2 Feet

Description	Part-No.
Set of case feet light grey (RAL 7035)	63-529
Set of case feet black (RAL 9005)	63-528



## 2.2.6 Side Panel

- For Stylebox 15 Smart
- Outer side, visible surface
- 0.75 mm sheet steel, powder coated
- **Scope of delivery:**
  - 1 side panel
- 2 pieces have to be ordered (for left and right side)  
(Side panels for 2U-Version integrated in top cover, see 2.2.4.1)
- Assembly material see below

### 2.2.6.1 Side Panel

Description	Depth		Height	
	mm	inch	3 U	4 U
Solid, light grey	245	9.64	15A606-30	-
Solid, light grey	305	12.00	15A607-30	15A612-30
Solid, light grey portable desktop			15A662-30	15A667-30
Solid, light grey	395	15.55	15A608-30	15A613-30

### 2.2.6.2 Assembly material

- 4 screws are needed for 1 side panel.

Description	Part-No.
Cross recessed countersunk screw M3x6	5332-76



# 2: Stylebox 15

## 2.2.7 Rear Panel

- For Stylebox 15 Smart
- 2.5 mm Aluminium, front anodised, rear conductive
- **Scope of delivery:**
  - 1 rear panel
- Rear panel drawing see 2.3.8
- Assembly material see below



### 2.2.7.1 Rear Panel

Description	Width	Height		
		2 U	3 U	4 U
Solid	42 HP	21A242	21A342	-
Solid	63 HP	21A263	21A363	-
Solid	84 HP	21A284	21A384	21A484

### 2.2.7.2 Assembly Material for Rear Panel

- For 1 backplane are needed:
  - 42 TE: 6 screws
  - 63 TE: 8 screws
  - 84 TE: 10 screws

Description	Part-No.
Cross recessed pan shead screw M3x8	5330-08

## 2.2.8 Portable Desktop Handle

- For Stylebox 15 Smart
- **Scope of delivery:**
  - 2 adapters / 2 side parts / 1 handle extrusion, sofffeel
  - Assembly material



### 2.2.8 Portable Desktop Handle

63 HP	84 HP
15S041	15S042

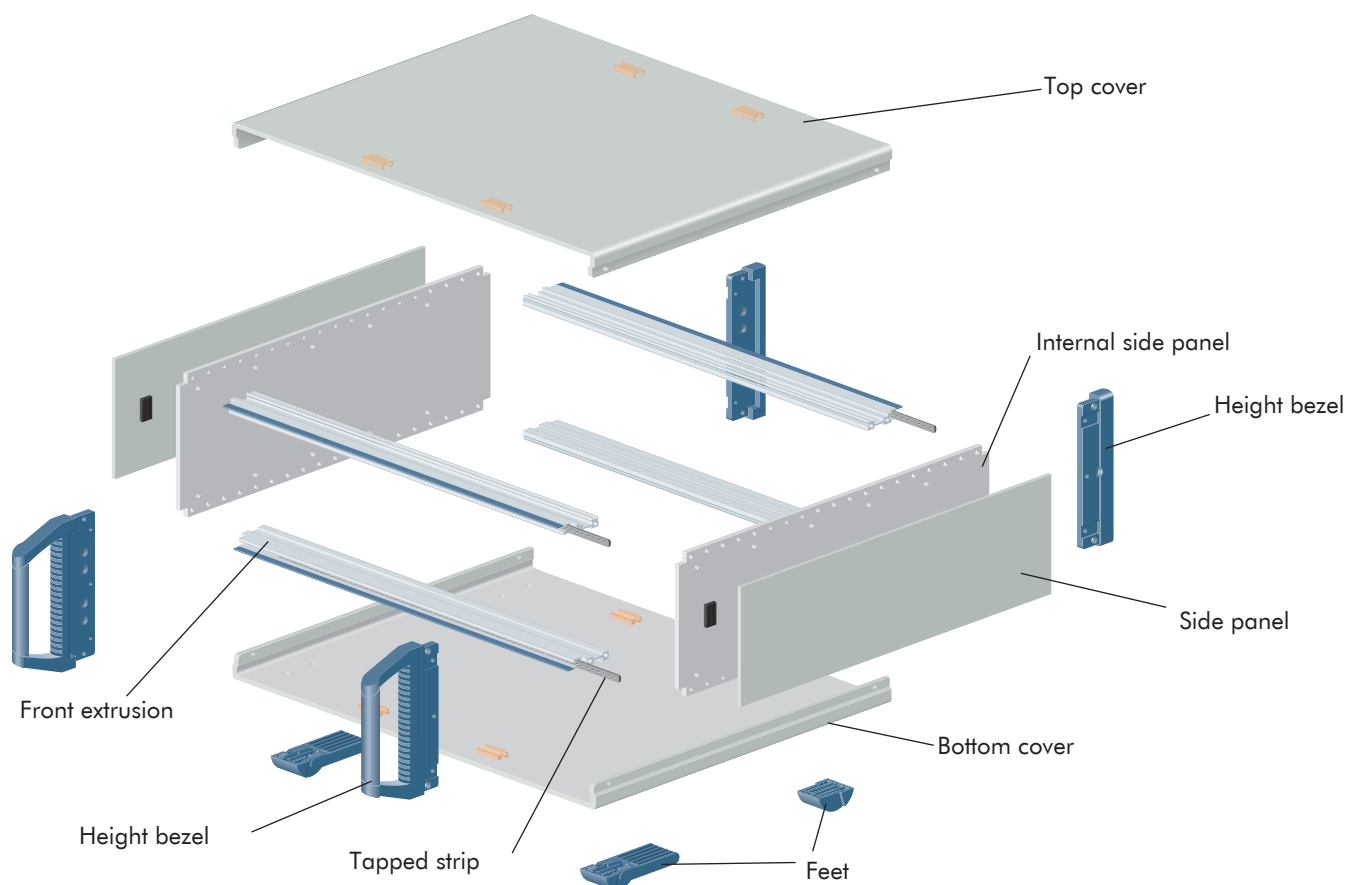
## 2: Stylebox 15

B



### 2.3 Stylebox 15 Standard

- Extrusions and inner sides aluminium
- Aluminium covers
- EMC-shielding basic as standard
- Identical front and rear for insertion of boards, modules, etc.
- Dimensions to IEC 60297
- Top design
- Simple assembly
- Lightweight and sturdy
- Conductive contact surfaces
- Visible surfaces are powder-coated
- Colour: Cover light grey (NCS 2502-B), frame and feet dark grey (NCS 5010-R90B)





## 2: Stylebox 15

### 2.3.1 Width

- For Stylebox 15 Standard
- Extrusions: Aluminium, conductive
- **Scope of delivery:**
  - 4 front/rear extrusions
  - 4 tapped strips M 2.5
  - 1 set of 16 screws (Cross recessed M4x10)



### 2.3.1 Width

Description	42 HP	63 HP	84 HP
IEC Application	15S004	15S005	15S006
IEEE Application	15S007	15S008	15S009

### 2.3.2 Height Bezel

- For Stylebox 15 Standard
- Die cast parts: Aluminium, powder coated
- Contact area conductive
- **Scope of delivery:**
  - 2 height bezels
- 2 sets have to be ordered (for front and rear side)



### 2.3.2 Height Bezel

Description	2 U	3 U	4 U	6 U
Without handles	15S020	15S021	15S022	15S023
With front handles	15S024	15S025	15S026	-
Portable desktop (rear)	15S027	15S028	15S029	-
19" with front handles	15S030	15S031	15S032	15S033

### 2.3.3 Depth

- For Stylebox 15 Standard
- 2.0 mm Aluminium, clear passivated
- **Scope of delivery:**
  - 1 internal side panel
- 2 pieces have to be ordered (for left and right side)



### 2.3.3 Depth

For Height	245 mm 9.64"	305 mm 12.00"	395 mm 15.55"	500 mm 19.68"
2 U	15-520	15-522	15-524	-
3 U	15-530	15-532	15-534	15-536
4 U left	15-540	15-542	15-544	15-546
4 U right	15-541	15-543	15-545	15-547
6 U	-	15-562	15-564	15-566

# 2: Stylebox 15

## 2.3.4 Top Cover

- For Stylebox 15 Standard
- 1.0 mm Aluminium, powder coated, contact area conductive
- **Scope of delivery:**
  - 1 top cover panel



### 2.3.4 Top Cover

Description	Width	Depth			
		245 mm 9.64"	305 mm 12.00"	395 mm 15.55"	500 mm 19.68"
solid, light grey	42 HP	15-201-10	15-202-10	15-203-10	15-204-10
perforated, light grey		15-201-11	15-202-11	15-203-11	15-204-11
solid, light grey	63 HP	15-206-10	15-207-10	15-208-10	15-209-10
perforated, light grey		15-206-11	15-207-11	15-208-11	15-209-11
solid, light grey	84 HP	15-211-10	15-212-10	15-213-10	15-214-10
perforated, light grey		15-211-11	15-212-11	15-213-11	15-214-11

## 2.3.5 Bottom Cover

- For Stylebox 15 Standard
- 1.0 mm Aluminium, powder coated, contact area conductive
- **Scope of delivery:**
  - 1 bottom cover with mounted feet



### 2.3.5 Bottom Cover

Description	Width	Depth			
		245 mm 9.64"	305 mm 12.00"	395 mm 15.55"	500 mm 19.68"
Solid, light grey	42 HP	15-351-10	15-352-10	15-353-10	15-354-10
Perforated, light grey		15-351-11	15-352-11	15-353-11	15-354-11
Solid, light grey	63 HP	15-356-10	15-357-10	15-358-10	15-359-10
Perforated, light grey		15-356-11	15-357-11	15-358-11	15-359-11
Solid, light grey	84 HP	15-361-10	15-362-10	15-363-10	15-364-10
Perforated, light grey		15-361-11	15-362-11	15-363-11	15-364-11

## 2: Stylebox 15

### 2.3.6 Side Panel

- For Stylebox 15 Standard
- Outer side, visible surface
- 1.0 mm Aluminium, powder coated
- **Scope of delivery:**
  - 2 side panels
  - Assembly material (8 cross recessed countersunk screw M3x6, 2 hock-and-loop fastener)
- 2 pieces have to be ordered (for left and right side)



#### 2.3.6 Side Panel

Description	Depth		Height			
	mm	inch	2 U	3 U	4 U	6 U
Solid, light grey	245	9.64	15S070	15S071	15S072	-
Solid, light grey portable desktop			15S060	15S061	-	-
Solid, light grey	305	12.00	15S073	15S074	15S075	15S076
Solid, light grey portable desktop			15S062	15S063	15S064	-
Solid, light grey	395	15.55	15S077	15S078	15S079	15S080
Solid, light grey portable desktop			15S066	15S067	15S068	-
Solid, light grey	500	19.68	-	-	15S081	15S082
Solid, light grey portable desktop			-	-	15S069	-

### 2.3.7 Portable Desktop Handle

- For Stylebox 15 Standard
- **Scope of delivery:**
  - 2 adapters
  - 2 side parts
  - 1 handle extrusion, sofffeel
  - Assembly material



#### 2.3.7 Portable Desktop Handle

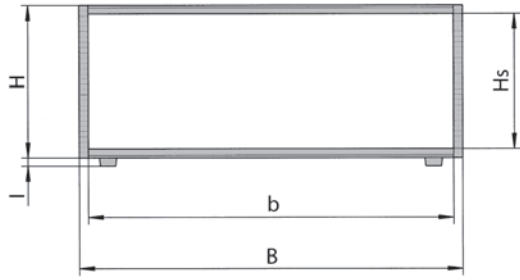
Height	42 HP	63 HP	84 HP
2 U	15S043	15S044	15S045
3/4 U	15S046	15S047	15S048

**Our ability to adapt existing components to your application, make Elma your preferred solution partner.**

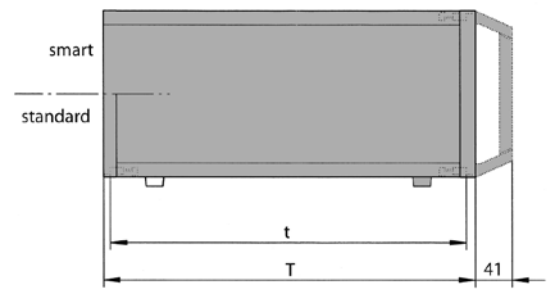
# 2: Stylebox 15

## 2.3.8 Drawing Stylebox 15 Smart and Standard

### Front view



### Side view



### Heights

U	H		Hs	
	mm	inch	mm	inch
2 U	88.05	3.46	68.05	2.67
3 U	132.50	5.21	112.50	4.42
4 U	176.95	6.96	156.95	6.17
6 U	265.85	10.46	245.85	9.67

### Widths

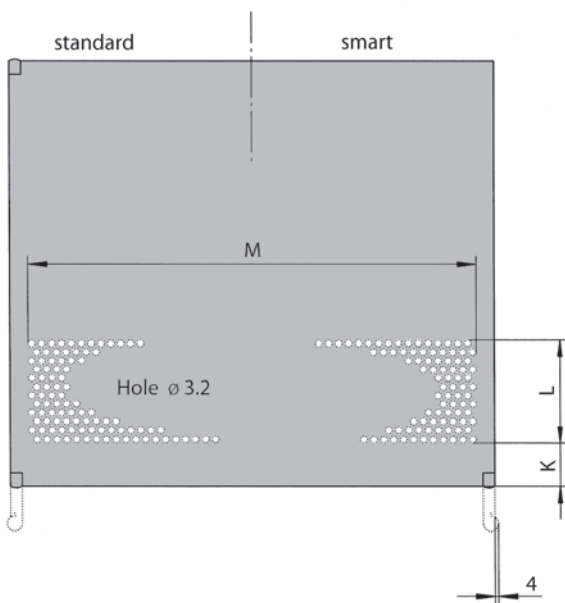
HP	B		b	
	mm	inch	mm	inch
42 HP	235.2	9.25	213.4	8.40
63 HP	341.9	13.46	320.1	12.60
84 HP	448.6	17.66	426.8	16.80

### Depths

T	t	
	mm	inch
245	9.64	232.6
305	12.00	292.6
395	15.55	382.6
500	19.68	487.6

Feet / Type	I	
	mm	inch
smart	10.0	0.39
standard	21.5	0.89

### Top view



### Air Flow Stylebox 15 Smart

#### mm

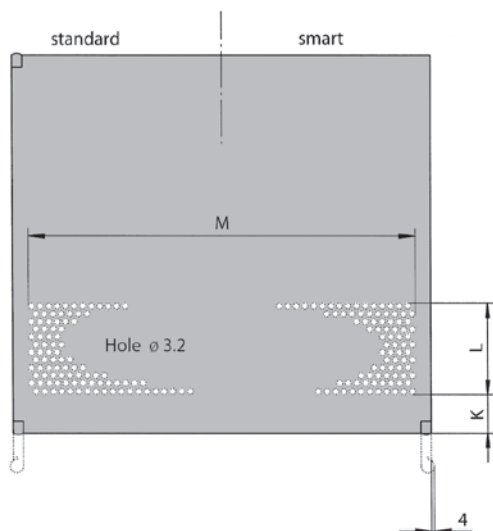
HP	M		K	L
	mm	mm <sup>2</sup>		
42 HP	208	8685	40	105
63 HP	323	13510	40	105
84 HP	415	17370	40	105

#### inch

HP	M		K	L
	inch	sq. inch		
42 HP	8.18	13.46	1.57	4.13
63 HP	12.71	20.94	1.57	4.13
84 HP	16.33	26.92	1.57	4.13

# 2: Stylebox 15

## Top view



## Air Flow Stylebox 15 Standard

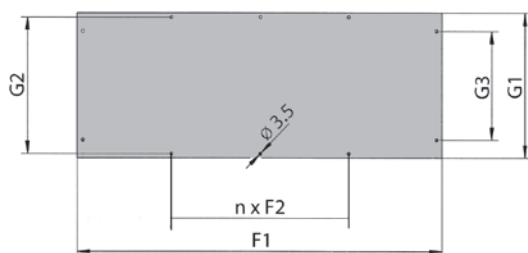
mm

HP	Depth	M		K	L
	mm	mm	mm <sup>2</sup>		
42 HP	245/305	208	4340	64	47.2
	395/500	415	11580	40	95.2
63 HP	245/305	415	6270	64	47.2
	395/500	300	16400	40	95.2

inch

HP	Depth	M		K	L
	inch	inch	sq. inch		
42 HP	9.64/12.00	8.18	6.72	2.51	1.85
	15.55/12.00	16.33	17.94	1.57	3.74
63 HP	9.64/12.00	16.33	9.71	2.51	1.85
	15.55/19.68	11.81	25.42	1.57	3.74

## Rear Panel Smart



## Dimensions Rear Panel Stylebox 15 Smart

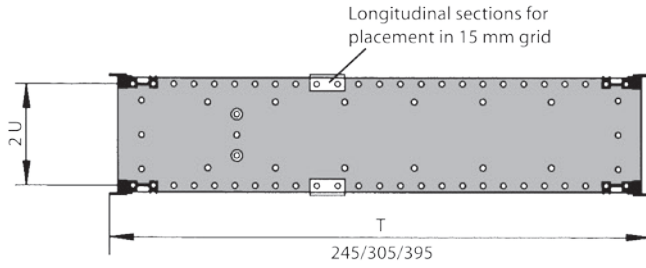
Height	G1		G2		G3	
	mm	inch	mm	inch	mm	inch
2 U	84.35	3.32	74.05	2.91	74.05	2.91
3 U	128.80	5.07	118.50	4.66	118.50	4.66
4 U	173.25	6.82	162.95	6.41	129.95	5.11

Width	F1		F2		n
	mm	inch	mm	inch	
42 HP	229.3	9.02	107.9	4.24	2
63 HP	336.0	13.22	107.5	4.23	3
84 HP	442.7	17.42	107.3	4.22	4

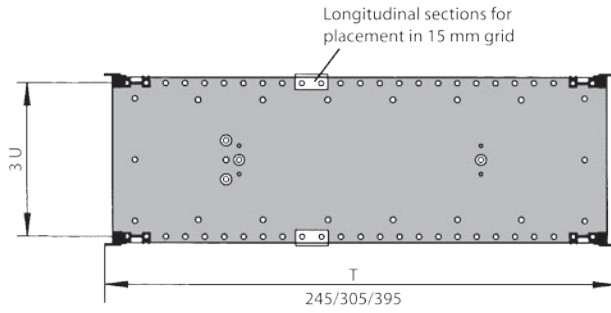
# 2: Stylebox 15

## Drawing Side Panels

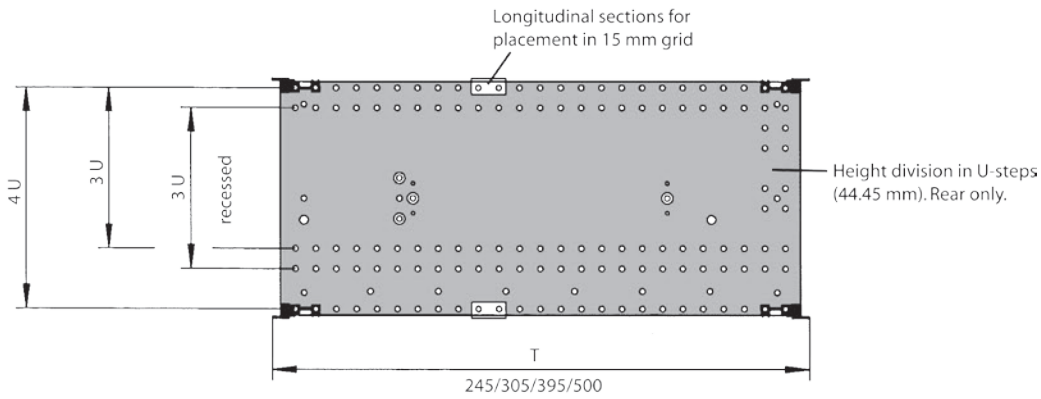
2 U



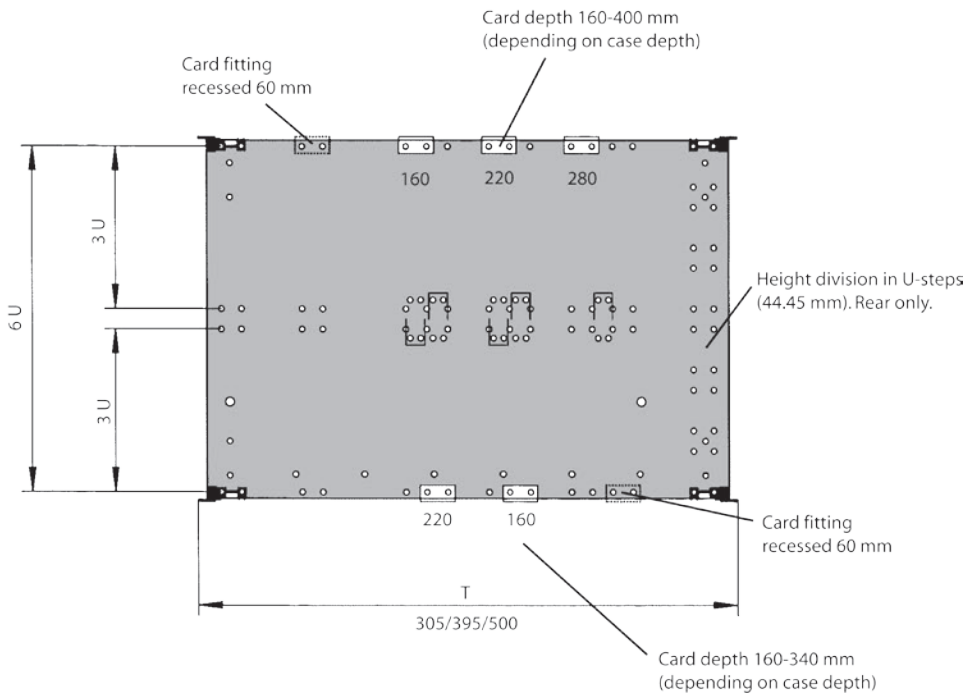
3 U

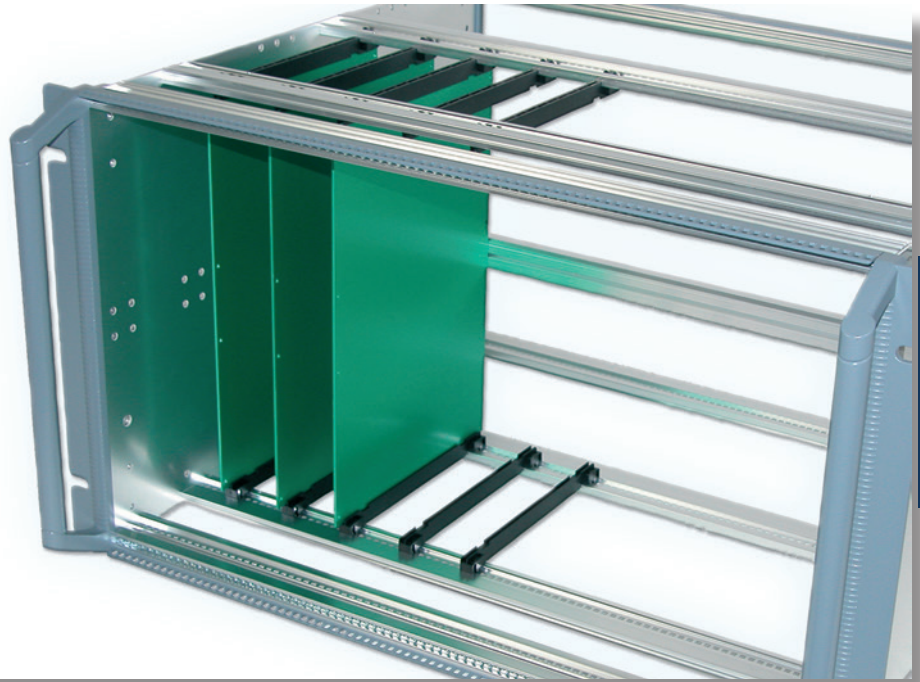


4 U



6 U





## 2.4 Adaptation Kits

- Adaptation kits are used to subdivide the Stylebox 15 both in its depths and heights
- The adaptation kits for the flush or recessmounted circuit boards or cassettes include the necessary internal extrusions and assembly material
- Scope of delivery is show in blue in the following illustrations

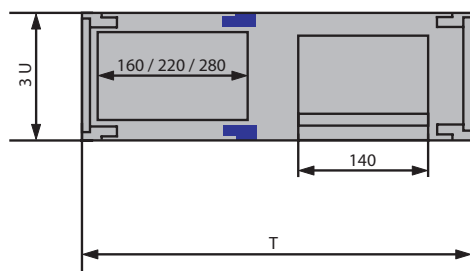
### Note:

#### Information for Adaptation Kits a - e:

- 15-xxx-  for mounting:
- **6** = 66-193, for insulated backplane mounting
  - **7** = 66-194, for conductive backplane mounting

### 2.4.1 Adaptation Kit a

- **Range of Application:**
  - Single eurocard depth 160 – 280 mm
  - Motherboard
  - Modules, cassettes, plug-in units
  - Set for horizontal mounting of single, double triple eurocards, depth 160 – 280mm
  - Crossflow ventilation with 3 U fan module
  - Drive mechanism receptacles 3 1/2"/5 1/4"



#### 2.4.1 Adaptation Kit a

- **Scope of delivery:**
  - 2 internal extrusions
  - 2 insulating strips (-6 only)
  - 2 tapped strips M2.5
  - 1 set assembly material

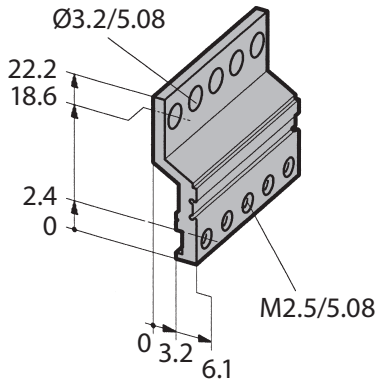
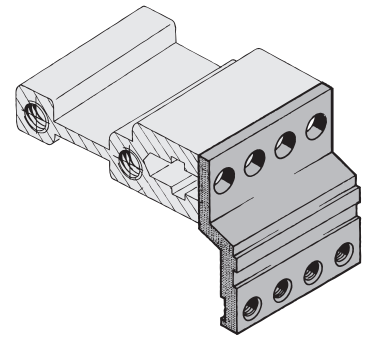
Description	84 HP
Flush front-mounting of single eurocards	15-011-6
	15-011-7

Other widths available on request.

# 2: Stylebox 15

## 2.4.2 Edge Connector Extrusion 66-147-xx

- For use with extrusions for backplanes 66-193
- **Scope of delivery:**
  - 1 aluminium extrusion, clear passivated (conductive)



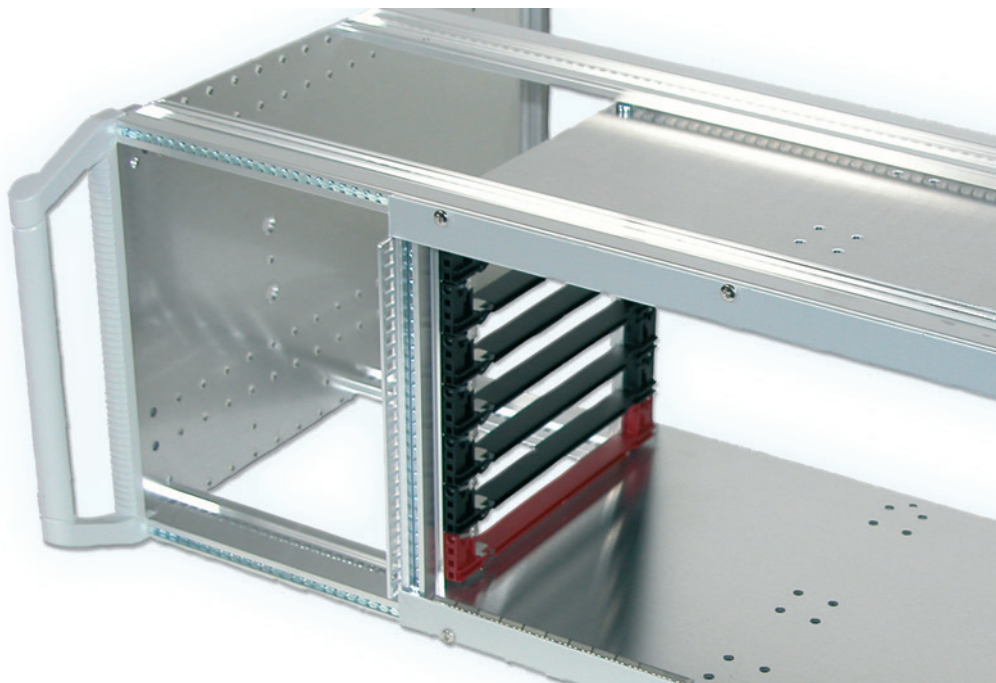
## 2.4.6 Edge Connector Extrusion

Length for HP	mm	inch	Part-No.	
			clear passivated	raw
8	40.6	1.59	66-147-40	
18	91.4	3.59	66-147-41	
28	142.2	5.60	66-147-42	
42	213.4	8.40	66-147-63	
63	320.0	12.60	66-147-65	
81	411.5	16.20	66-147-22	
84	426.7	16.80	66-147-52	
	1350.0	53.14		66-147-19

## Assembly Material

Description	Part-No.
Assembly material M2.5 (for 2 supplementary extrusions)	63-214

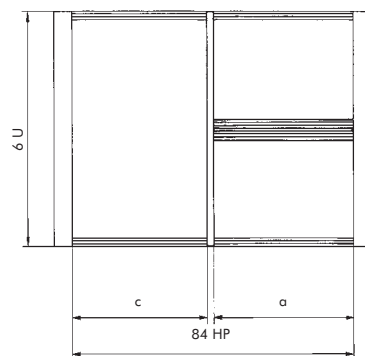




## 2.5 Assembly Accessories

### 2.5.1 Front Sub Division Vertical for 6 U System or 6 U Assembly

- Allows both single and double eurocards to be mounted together in a 6 U Stylebox 15
- **Scope of delivery:**
  - 1 divider extrusion front
  - 1 divider extrusion rear
  - 2 front extrusions
  - 2 internal extrusions
  - 1 assembly material
- Tapped strips for front extrusion see below
- Card guides see 2.6.1



### 2.5.1 Front Sub Division Vertical for 6 U Assembly

Nominal Width		Part-No.
6 U (c)	2 x 3 U (a)	IEC 60297
50 HP	32 HP	11-959-2



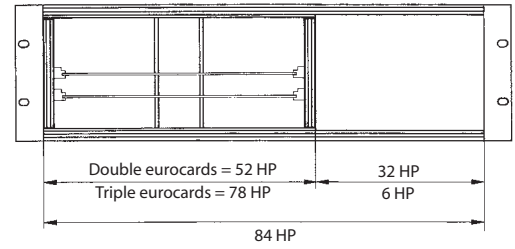
### Tapped Strips for Front Extrusion

Scope of Delivery	Description	Part-No.
1 pc. tapped strip	M2,5 32 HP = 162.56 mm	61-463

# 2: Stylebox 15

## 2.5.2 Horizontal Card Mounting Kit for Double Eurocards (6 U)

- For double eurocards (6 U)
- Independent of card depth
- The horizontal card mounting kit can be fitted recessed within the Stylebox 15 by using two additional extrusions
- **Scope of delivery:**
  - 4 distance plates (2 front / 2 rear)
  - 4 length extrusions (2 front / 2 rear)
  - 1 centre extrusion
  - 6 tapped strips M2.5
  - 1 set assembly material
- Top and bottom cover plate when no overall fan front panel (2.5.4) is used
- Top and bottom cover plate has to be ordered separately
- Fan front panels for horizontal mounting kits see 2.5.4
- Card guides see 26.1
- Extruded front panels see 2.7.5



## 2.5.3 Horizontal Card Mounting Kit

Mounting height	Usable height	IEC 60603-2	Backplane	Cover plate top*	Cover plate bottom*
3 U	20 HP	14-971-30	14-971-60	21N602-90	21N602-90

\* Assembly material for cover plate see 2.5.4.1

\* Other versions available on request.

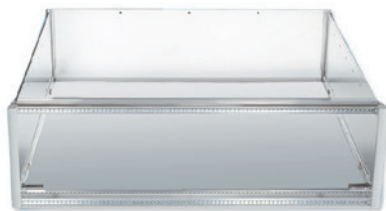


# 2: Stylebox 15

## 2.5.3 Mounting Chassis

### 2.5.3.1 Mounting Chassis Full Depth of Stylebox 15 Standard

- For mounting non-standard modules and components
- Mounting chassis is fixed directly on the side panels
- Aluminium 2.0 mm, raw
- **Scope of delivery:**
  - 1 mounting chassis
- Assembly material see below
- Mounting chassis depth < 230 mm can be mounted with 4 screws (> 230 mm with 6 screws)



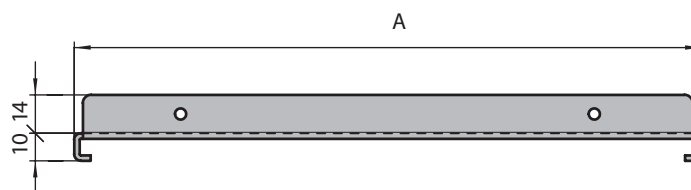
### 2.5.6.1 Mounting Chassis Full Depth of Stylebox 15 Standard

Case Depth		Chassis Depth A		Part-No.		
mm	inch	mm	inch	42 HP	63 HP	84 HP
245	9.64	168	6.61	14M028	14M029	14M030
305	12.00	228	8.97	14M031	14M032	14M033
395	15.55	318	12.52	-	14M034	14M035
500	19.68	428	16.65	-	-	14M036

### Assembly Material

- For one mounting chassis
- **Scope of delivery:**
  - 4 cross recessed cylinder head screw M4 x 6
  - 4 earthing nut M4

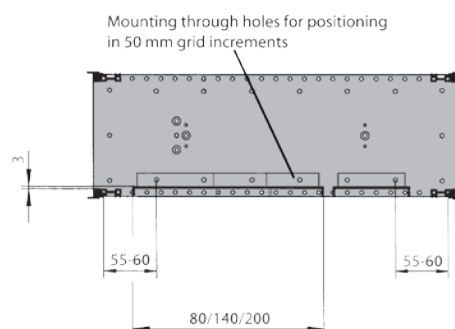
Description	Part-No.
Assembly material for mounting chassis	63-861



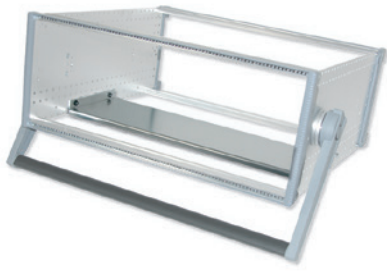
### 2.5.6.2 Mounting Chassis Full Depth of Stylebox 15 Smart

- For mounting non-standard modules and components
- Mounting chassis is fixed directly to the side panel
- **Scope of delivery:**
  - 1 Mounting Chassis
  - 1 set of assembly material (4 earthing nut, 4 screw M4 x 6)

Case Depth		Chassis Depth		42 HP	63 HP	84 HP
mm	inch	mm	inch			
245	9.64	195	7.67	15A101-01	15A102-01	15A103-01
305	12.00	255	10.03	15A104-01	15A105-01	15A106-01
395	15.55	345	13.58	-	15A108-01	15A109-01



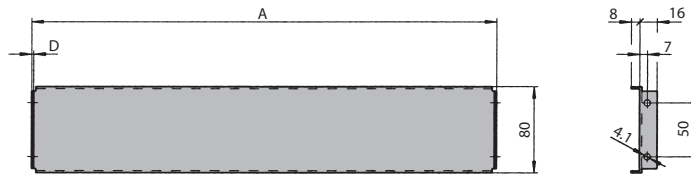
## 2: Stylebox 15



### 2.5.3.2 Mounting Chassis Small for Mounting of Power Supplies, etc.

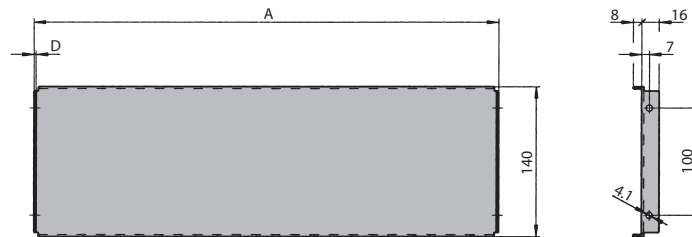
Chassis depth 80 mm

Case Width	A		D		Part-No.
	mm	inch	mm	inch	
84 HP	431.5	16.98	2	0.08	14-832-50



Chassis depth 140 mm

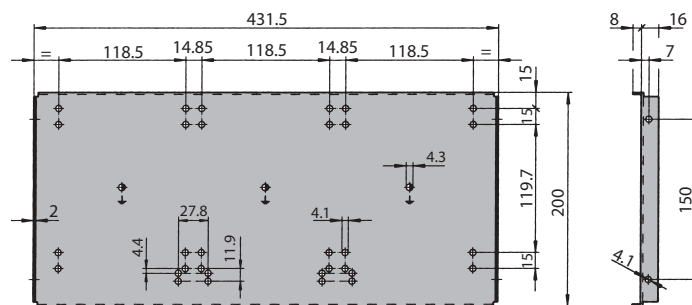
Case Width	A		D		Part-No.
	mm	inch	mm	inch	
84 HP	431.5	16.98	2.0	0.08	14-836-50



### 2.5.3.3 Mounting Chassis for Horizontal Mounting of Eurocards

- Chassis depth 200 mm
- The hole pattern allows single, double and triple eurocards to be mounted

Case Width	Part-No.
84 HP	14-840-50



#### Mounting Set for One Eurocard

- **Scope of delivery:**
  - 2 front extrusions
  - 2 internal extrusions
  - Card guides (2 - 6 pcs.)
  - tapped strips
  - Assembly material

Extrusion Length		Part-No.
8.5 HP	IEC	80-208-11
12.5 HP	IEC	80-212-11