

5: Systemkit 12K Rail

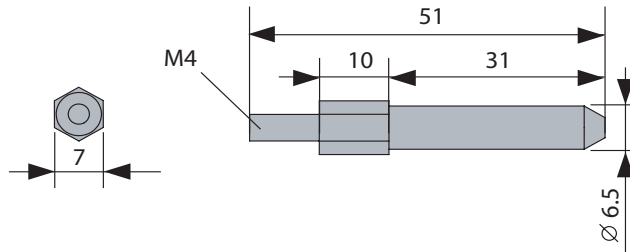
5.3 General Accessories

5.3.1 Coding Stud

3.1 Coding Stud

- For SNCF back frame
- Galvanised steel

Description	Part-No. 1 pc.	Part-No. 100 pcs.
Coding stud	61-217	61-217-2



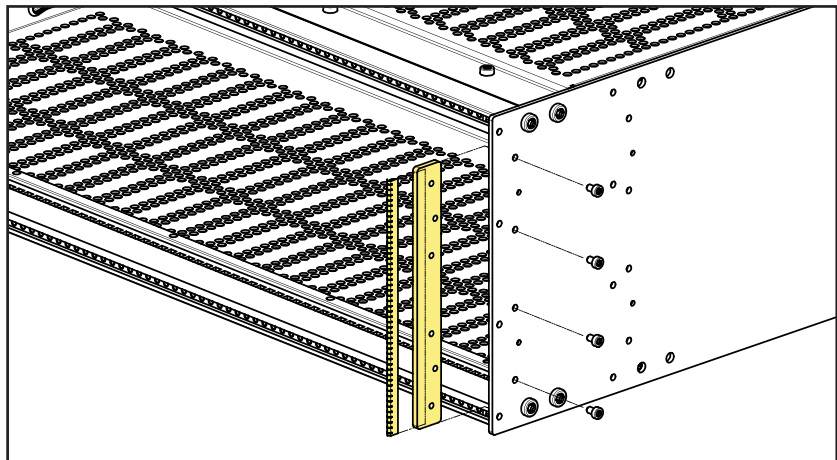
5.3.2 EMC-Shielding Material

5.3.2.1 Backplane-Shielding Vertical

- With fitting design the Backplane can be used as a shielding rear panel of the Systemkit 12 K Rail
- For horizontal contact the internal extrusion has to be mounted without insulation strips
- Carrying plate has to be mounted directly on the side panel
- **Scope of delivery**
 - 2 carrying plates, aluminium, conductive
 - 2 EMC contact strips
 - Assembly material (Torx)
- For 6 U-Version 2 sets are necessary

5.3.2.1 Backplane-Shielding Vertical

Description	Part-No.
Set Backplane-Shielding vertical 3 U	12KR110



5: Systemkit 12K Rail

5.3.2.2 EMC Contact Strips

- 2 contact strips
- For front panels, fixing on extrusion
- Self-adhesive



For HP	Length	Part-No.
42	212.1 mm	63-836-67
63	318.1 mm	63-836-68
84	424.2 mm	63-836-70

5.3.2.3 EMC Gasket for Height Extrusion, Front Panel

- Front Panels: 1st Slot
- Application: height extrusion front/rear, front panel
- Gasket slides onto extrusion



5.3.2.3 EMC Gasket for Height Extrusion, Front Panel

U	in mm	1 pc.	10 pcs.	100 pcs.
3	101.60 mm	81-062-03	81-062-03-1	81-062-03-2
6	234.95 mm	81-062-06	81-062-06-1	81-062-06-2

Front Panels and Plug-In Units as well as more Accessories are available in the Elmaset catalogue.