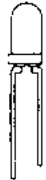



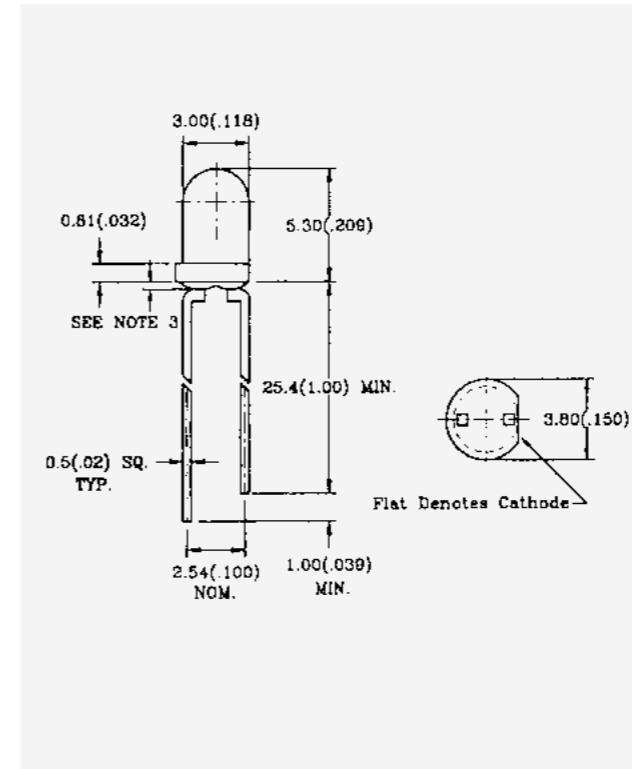


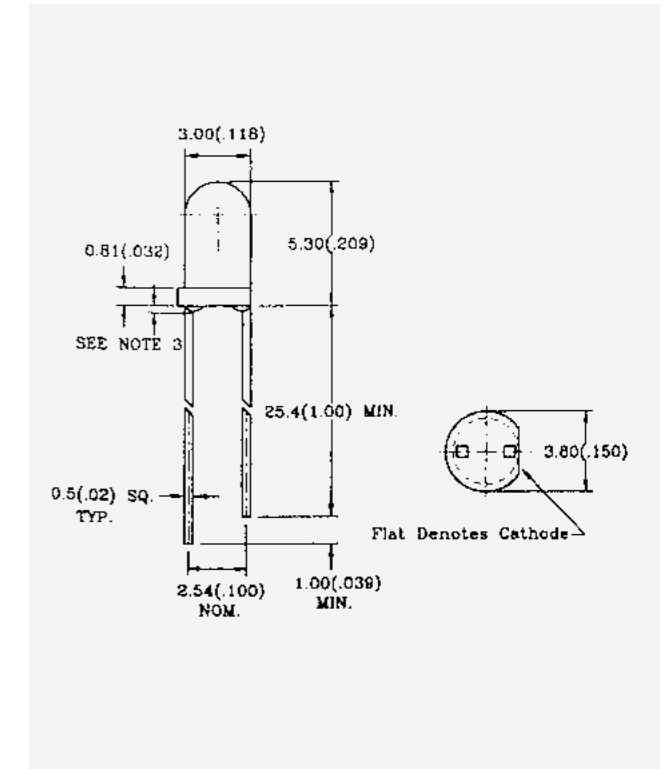
STANDARD LED LAMPS (ROUND TYPES)

Package	Part No.	Chip		Lens Appearance	Absolute Maximum Ratings				Electro-optical Data (At 20mA)			Viewing Angle 2θ 1/2 (deg)	Drawing No.
		Emitted Color	Peak Wave Length λ P(nm)		λ (nm)	Pd (mW)	If (mA)	Peak If(mA)	Vf(V) Typ. Max.	Iv Typ. (mcd)			
	BL-B1131	Red	655	Red Diffused	40	110	40	200	1.7	2.0	6.0	40	L-01
	BL-B5131	Bright Red	700	Red Diffused	90	50	15	50	2.2	2.6	8.0	40	
	BL-B4531	Hi-Eff Red	635	Red Diffused	45	100	30	150	2.0	2.6	40.0	40	
	BL-B2131	Green	568	Green Diffused	30	100	30	150	2.2	2.6	40.0	40	
	BL-B3131	Yellow	585	Yellow Diffused	35	100	30	150	2.1	2.6	30.0	40	
	BL-B4131	Orange	635	Orange Diffused	45	100	30	150	2.0	2.6	40.0	40	
	BL-B5431	Bright Red	700	Red Trans	90	50	15	50	2.2	2.6	50.0	30	
	BL-B4631	Hi-Eff Red	635	Red Trans	45	100	30	150	2.0	2.6	100.0	30	
	BL-B2431	Green	568	Green Trans	30	100	30	150	2.2	2.6	80.0	30	
	BL-B3431	Yellow	585	Yellow Trans	35	100	30	150	2.1	2.6	70.0	30	
BL-B4431	Orange	635	Orange Trans	45	100	30	150	2.0	2.6	100.0	30		
	BL-B1141	Red	655	Red Diffused	40	110	40	200	1.7	2.0	6.0	40	L-02
	BL-B5141	Bright Red	700	Red Diffused	90	50	15	50	2.2	2.6	8.0	40	
	BL-B4541	Hi-Eff Red	635	Red Diffused	45	100	30	150	2.0	2.6	40.0	40	
	BL-B2141	Green	568	Green Diffused	30	100	30	150	2.2	2.6	40.0	40	
	BL-B3141	Yellow	585	Yellow Diffused	35	100	30	150	2.1	2.6	30.0	40	
	BL-B4141	Orange	635	Orange Diffused	45	100	30	150	2.0	2.6	40.0	40	
	BL-B5341	Bright Red	700	Water Clear	90	50	15	50	2.2	2.6	50.0	30	
	BL-B2341	Green	568	Water Clear	30	100	30	150	2.2	2.6	80.0	30	
	BL-BX341	Hi-Eff Green	568	Water Clear	30	100	30	150	2.2	2.6	110.0	30	
	BL-B3341	Yellow	585	Water Clear	35	100	30	150	2.1	2.6	70.0	30	
BL-B4341	Hi-Eff Red	635	Water Clear	45	100	30	150	2.0	2.6	100.0	30		
	BL-B1131E	Red	655	Red Diffused	40	110	40	200	1.7	2.0	8.0	50	L-03
	BL-B5131E	Bright Red	700	Red Diffused	90	50	15	50	2.2	2.6	10.0	50	
	BL-B4531E	Hi-Eff Red	635	Red Diffused	45	100	30	150	2.0	2.6	60.0	50	
	BL-B2131E	Green	568	Green Diffused	30	100	30	150	2.2	2.6	70.0	50	
	BL-B3131E	Yellow	585	Yellow Diffused	35	100	30	150	2.1	2.6	60.0	50	
	BL-B4131E	Orange	635	Orange Diffused	45	100	30	150	2.0	2.6	60.0	50	
	BL-B8131E	Amber	610	Orange Diffused	35	100	30	150	2.0	2.6	70.0	50	
	BL-B5331E	Bright Red	700	Water Clear	90	50	15	50	2.2	2.6	60.0	40	
	BL-B2331E	Green	568	Water Clear	30	100	30	150	2.2	2.6	110.0	40	
	BL-B3331E	Yellow	585	Water Clear	35	100	30	150	2.1	2.6	90.0	40	
BL-B4331E	Hi-Eff Red	635	Water Clear	45	100	30	150	2.0	2.6	100.0	40		
	BL-B1141Q	Red	655	Red Diffused	40	110	40	200	1.7	2.0	8.0	60	L-04
	BL-B5141Q	Bright Red	700	Red Diffused	90	50	15	50	2.2	2.6	10.0	60	
	BL-B4541Q	Hi-Eff Red	635	Red Diffused	45	100	30	150	2.0	2.6	60.0	60	
	BL-B2141Q	Green	568	Green Diffused	30	100	30	150	2.2	2.6	70.0	60	
	BL-B3141Q	Yellow	585	Yellow Diffused	35	100	30	150	2.1	2.6	60.0	60	
	BL-B4141Q	Orange	635	Orange Diffused	45	100	30	150	2.0	2.6	60.0	60	
	BL-B8141Q	Amber	610	Orange Diffused	35	100	30	150	2.0	2.6	70.0	60	
	BL-B5341Q	Bright Red	700	Water Clear	90	50	15	50	2.2	2.6	60.0	35	
	BL-B2341Q	Green	568	Water Clear	30	100	30	150	2.2	2.6	110.0	35	
	BL-B3341Q	Yellow	585	Water Clear	35	100	30	150	2.1	2.6	90.0	35	
BL-B4341Q	Hi-Eff Red	635	Water Clear	45	100	30	150	2.0	2.6	100.0	35		

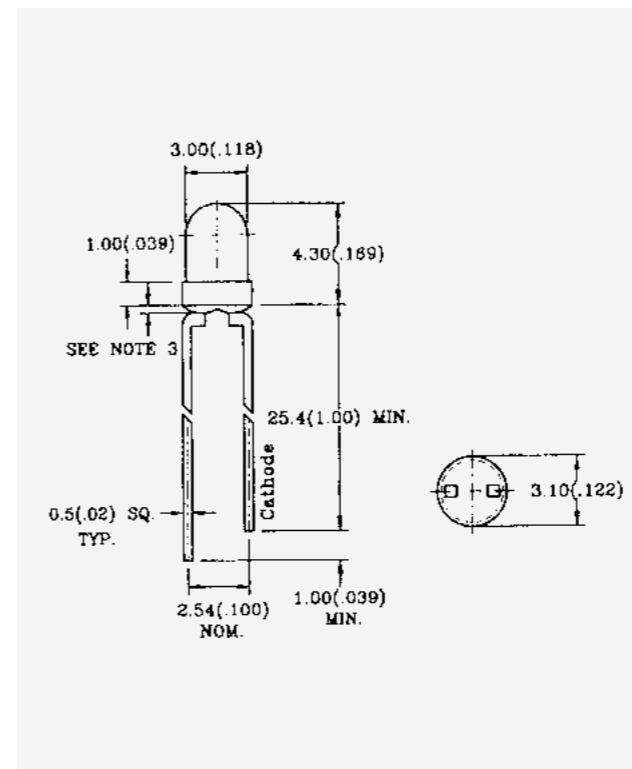
L-01 BL-Bxx31 Series



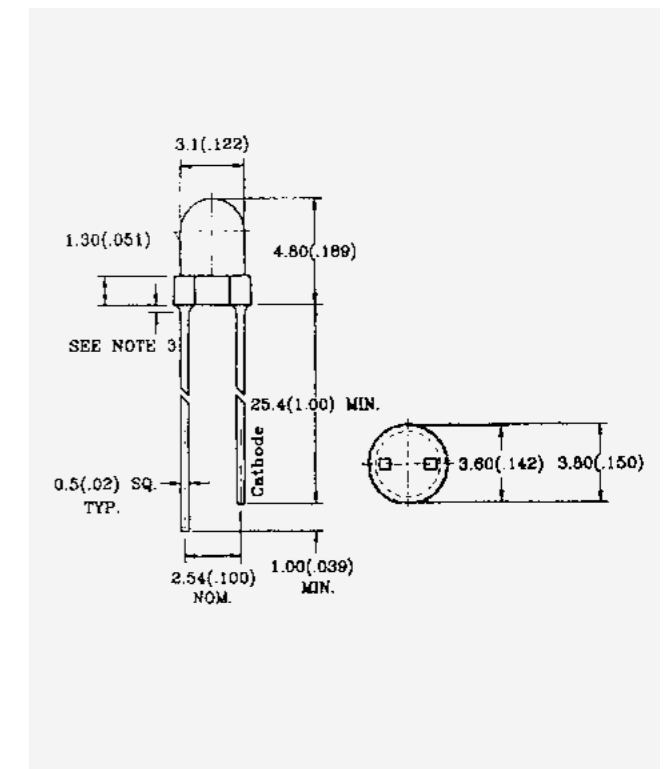
L-02 BL-Bxx41 Series



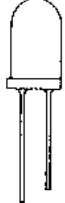
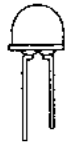


L-03 BL-Bxx31E Series



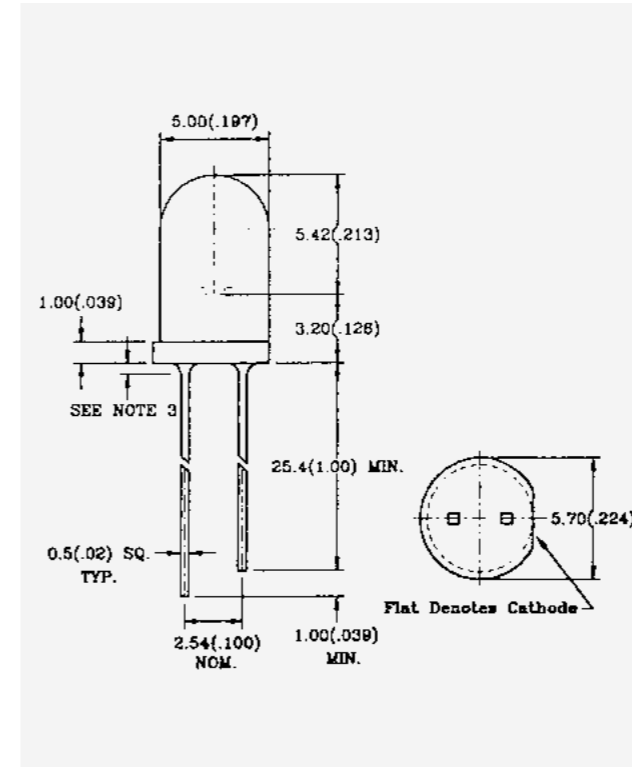
L-04 BL-Bxx41Q Series



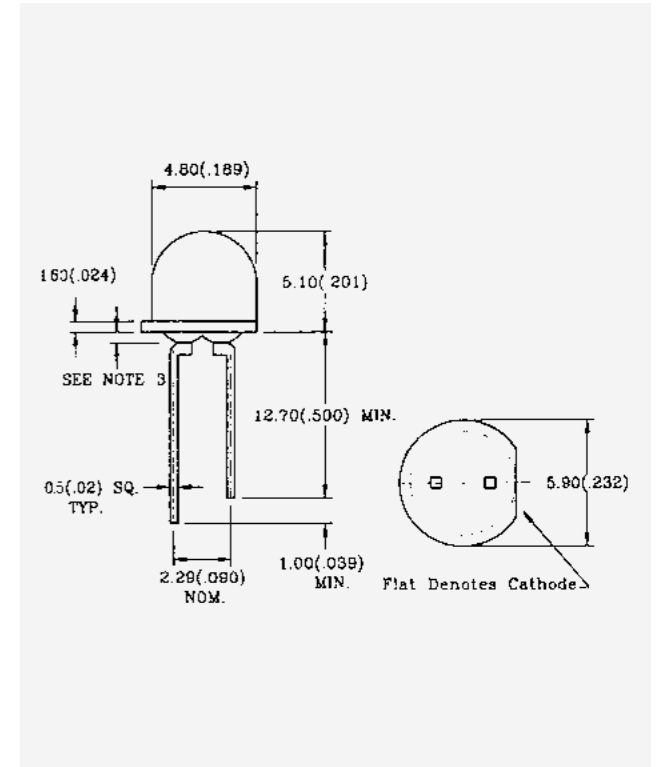
STANDARD LED LAMPS (ROUND TYPES)

Package	Part No.	Chip		Lens Appearance	Absolute Maximum Ratings				Electro-optical Data (At 20mA)			Viewing Angle 2θ 1/2 (deg)	Drawing No.
		Emitted Color	Peak Wave Length λ P(nm)		Δλ (nm)	Pd (mW)	If (mA)	Peak If (mA)	Vf(V)		Iv Typ. (mcd)		
									Typ.	Max.			
	BL-B1134	Red	655	Red Diffused	40	110	40	200	1.7	2.0	6.0	30	L-05
	BL-B5134	Bright Red	700	Red Diffused	90	50	15	50	2.2	2.6	9.0	30	
	BL-B4534	Hi-Eff Red	635	Red Diffused	45	100	30	150	2.0	2.6	80.0	30	
	BL-B2134	Green	568	Green Diffused	30	100	30	150	2.2	2.6	80.0	30	
	BL-BX134	Hi-Eff Green	568	Green Diffused	30	100	30	150	2.2	2.6	110.0	30	
	BL-B3134	Yellow	585	Yellow Diffused	35	100	30	150	2.01	2.6	80.0	30	
	BL-B4134	Orange	635	Orange Diffused	45	100	30	150	2.0	2.6	80.0	30	
	BL-B5434	Bright Red	700	Red Trans	90	50	15	50	2.2	2.6	60.0	20	
	BL-B4634	Hi-Eff Red	635	Red Trans	45	100	30	150	2.0	2.6	200.0	20	
	BL-B2434	Green	568	Green Trans	30	100	30	150	2.2	2.6	200.0	20	
	BL-B3434	Yellow	585	Yellow Trans	35	100	30	150	2.1	2.6	180.0	20	
	BL-B4434	Orange	635	Orange Trans	45	100	30	150	2.0	2.6	200.0	20	
BL-B5334	Bright Red	700	Water Clear	90	50	15	50	2.2	2.6	60.0	20		
	BL-B1124B	Red	655	Red Diffused	40	110	40	200	1.7	2.0	1.5	45	L-06
	BL-B5124B	Bright Red	700	Red Diffused	90	50	15	50	2.2	2.6	2.0	45	
	BL-B4524B	Hi-Eff Red	635	Red Diffused	45	100	30	150	2.0	2.6	12.0	45	
	BL-B2124B	Green	568	Green Diffused	30	100	30	150	2.2	2.6	16.0	45	
	BL-B3124B	Yellow	585	Yellow Diffused	35	100	30	150	2.1	2.6	12.0	45	
	BL-B4124B	Orange	635	Orange Diffused	45	100	30	150	2.0	2.6	12.0	45	
	BL-B1124C	Red	655	Red Diffused	40	110	40	200	1.7	2.0	2.0	60	L-07
	BL-B5124C	Bright Red	700	Red Diffused	90	50	15	50	2.2	2.6	3.0	60	
	BL-B4524C	Hi-Eff Red	635	Red Diffused	45	100	30	150	2.0	2.6	16.0	60	
	BL-B2124C	Green	568	Green Diffused	30	100	30	150	2.2	2.6	22.0	60	
	BL-B3124C	Yellow	585	Yellow Diffused	35	100	30	150	2.1	2.6	16.0	60	
	BL-B4124C	Orange	635	Orange Diffused	45	100	30	150	2.0	2.6	16.0	60	
	BL-B133B	Red	655	Water Clear	40	40	40	200	1.7	2.0	8.0	50	L-08
	BL-B533B	Bright Red	700	Water Clear	90	90	90	50	2.2	2.6	12.0	50	
	BL-B433B	Hi-Eff Red	635	Water Clear	45	45	45	150	2.0	2.6	55.0	50	
	BL-B233B	Green	568	Water Clear	30	30	30	150	2.2	2.6	60.0	50	
	BL-B333B	Yellow	585	Water Clear	35	35	35	150	2.1	2.6	50.0	50	
	BL-B463B	Hi-Eff Red	635	Red Trans	45	45	45	150	2.0	2.6	55.0	50	
	BL-B543B	Bright Red	700	Red Trans	90	90	90	50	2.2	2.6	12.0	50	
	BL-B243B	Green	568	Green Trans	30	30	30	150	2.2	2.6	60.0	50	

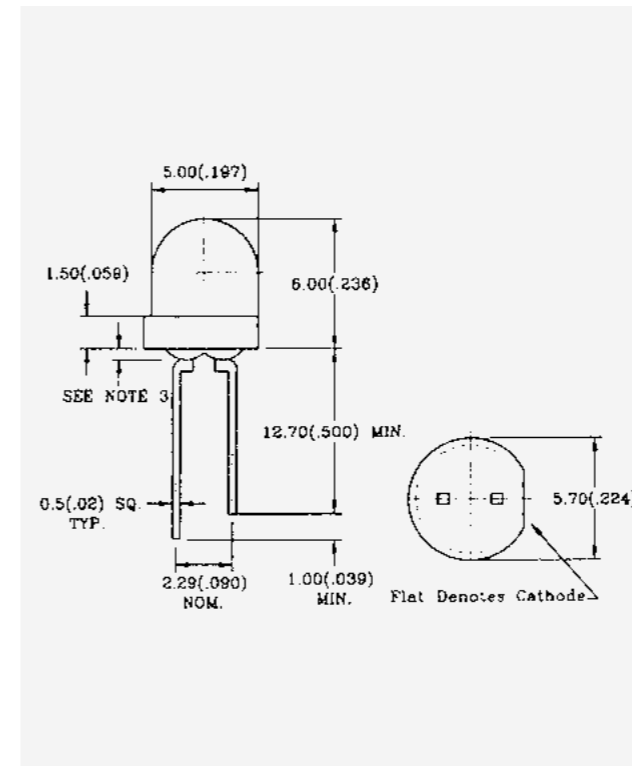
L-05 BL-Bxx34 Series



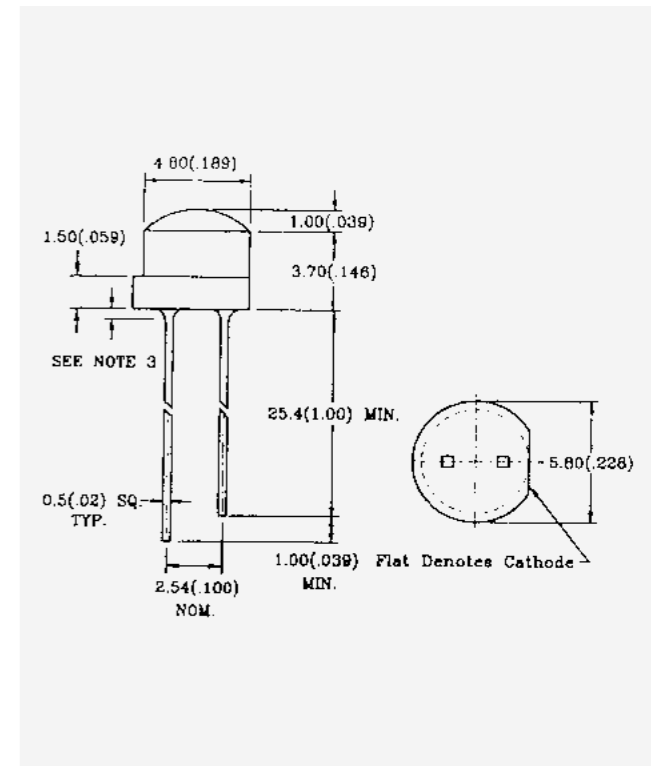
L-06 BL-Bxx24B Series



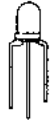
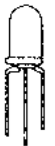
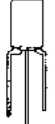

L-07 BL-Bxx24C Series



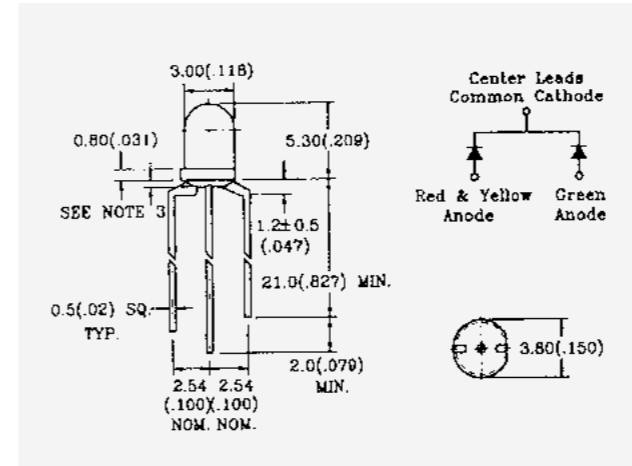
L-08 BL-Bxx3B Series



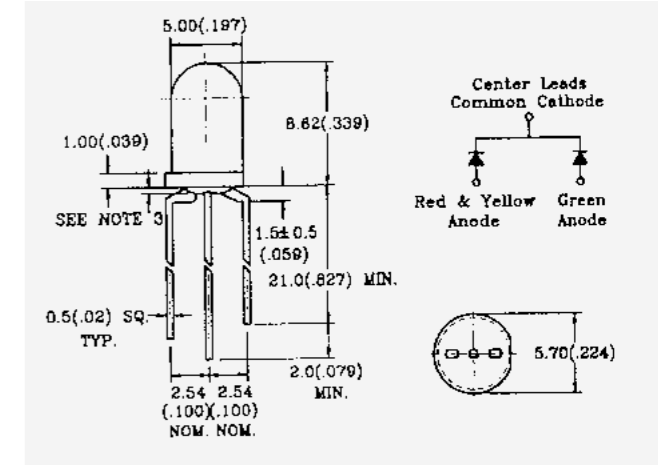
DUAL-CHIP & TRI-STATE LED LAMPS

Package	Part No.	Chip		Lens Appearance	Absolute Maximum Ratings				Electro-optical Data (At 20mA)			Viewing Angle 2θ 1/2 (deg)	Drawing No.	
		Emitted Color	Peak Wave Length λ P(nm)		λ (nm)	Pd (mW)	If (mA)	Peak If (mA)	Vf(V)		Iv Typ. (mcd)			
									Typ.	Max.				
	BL-BHG201	Bright Red	700	White diffused	90	50	15	50	2.2	2.6	7.0	40	L-09	
		Green	568		30	100	30	150	2.2	2.6	35.0	40		
	BL-BEG201	Hi-Eff Red	635	White diffused	45	100	30	150	2.0	2.6	25.0	40		
		Green	568		30	100	30	150	2.2	2.6	35.0	40		
	BL-BX134 BL-B3134	Yellow	585	White diffused	35	100	30	150	2.1	2.6	20.0	40		
		Green	568		30	100	30	150	2.2	2.6	35.0	40		
	BL-BHG204	Bright Red	700	White diffused	90	50	15	50	2.2	2.6	8.0	40	L-10	
		Green	568		30	100	30	150	2.2	2.6	45.0	40		
	BL-BEG204	Hi-Eff Red	635	White diffused	45	100	30	150	2.0	2.6	35.0	40		
		Green	568		30	100	30	150	2.2	2.6	45.0	40		
	BL-BYG204	Yellow	585	White diffused	35	100	30	150	2.1	2.6	30.0	40		
		Green	568		30	100	30	150	2.2	2.6	45.0	40		
	BL-BHG204-A	Bright Red	700	White diffused	90	50	15	50	2.2	2.6	3.5	55		L-11
		Green	568		30	100	30	150	2.2	2.6	20.0	55		
	BL-BEG204-A	Hi-Eff Red	635	White diffused	45	100	30	150	2.0	2.6	15.0	55		
		Green	568		30	100	30	150	2.2	2.6	20.0	55		
	BL-BYG204-A	Yellow	585	White diffused	35	100	30	150	2.1	2.6	10.0	55		
		Green	568		30	100	30	150	2.2	2.6	20.0	55		
BL-BHG204-B	Bright Red	700	White diffused	90	50	15	50	2.2	2.6	3.5	55	L-12		
	Green	568		30	100	30	150	2.2	2.6	20.0	55			
BL-BEG204-B	Hi-Eff Red	635	White diffused	45	100	30	150	2.0	2.6	15.0	55			
	Green	568		30	100	30	150	2.2	2.6	20.0	55			
BL-BYG204-B	Yellow	585	White diffused	35	100	30	150	2.1	2.6	10.0	55			
	Green	568		30	100	30	150	2.2	2.6	20.0	55			
	BL-RHG202N	Bright Red	700	White diffused	90	50	15	50	2.2	2.6	0.8		125	L-13
		Green	568		30	100	30	150	2.2	2.6	7.0		125	
	BL-REG202N	Hi-Eff Red	635	White diffused	45	100	30	150	2.0	2.6	6.5		125	
		Green	568		30	100	30	150	2.2	2.6	7.0		125	
	BL-BYG204-B	Yellow	585	White diffused	35	100	30	150	2.1	2.6	5.5		125	
		Green	568		30	100	30	150	2.2	2.6	7.0		125	
	BL-RHG202B	Bright Red	700	White diffused	90	50	15	50	2.2	2.6	0.8	125	L-14	
		Green	568		30	100	30	150	2.2	2.6	7.0	125		
	BL-REG202B	Hi-Eff Red	635	White diffused	45	100	30	150	2.0	2.6	6.5	125		
		Green	568		30	100	30	150	2.2	2.6	7.0	125		
	BL-BYG204-B	Hi-Eff Red	635	White diffused	45	100	30	150	2.0	2.6	6.5	125		

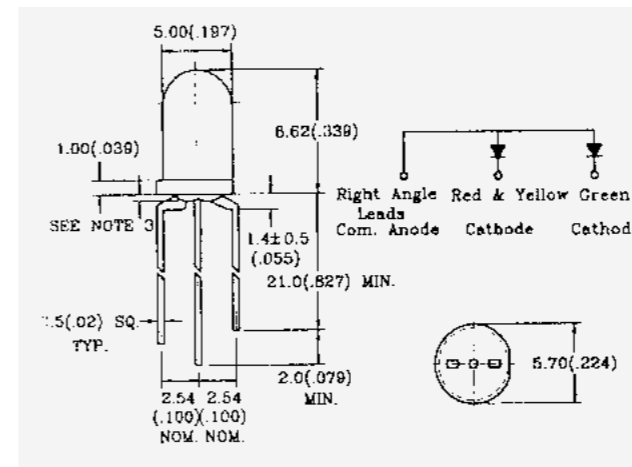
L-09 BL-Bxxx01 Series



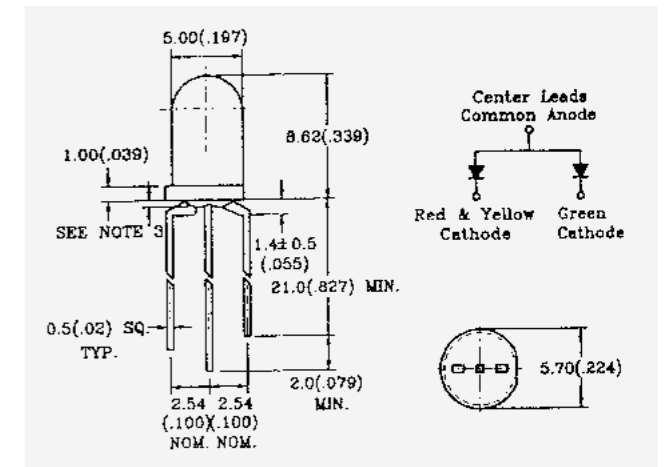
L-10 BL-Bxxx04 Series



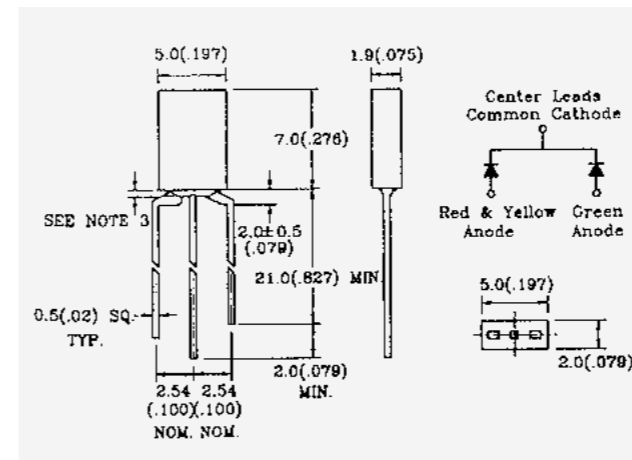
L-11 BL-Bxxx04-A Series



L-12 BL-Bxxx04-B Series



L-13 BL-Rxxx02N Series



L-14 BL-Rxxx02B Series

