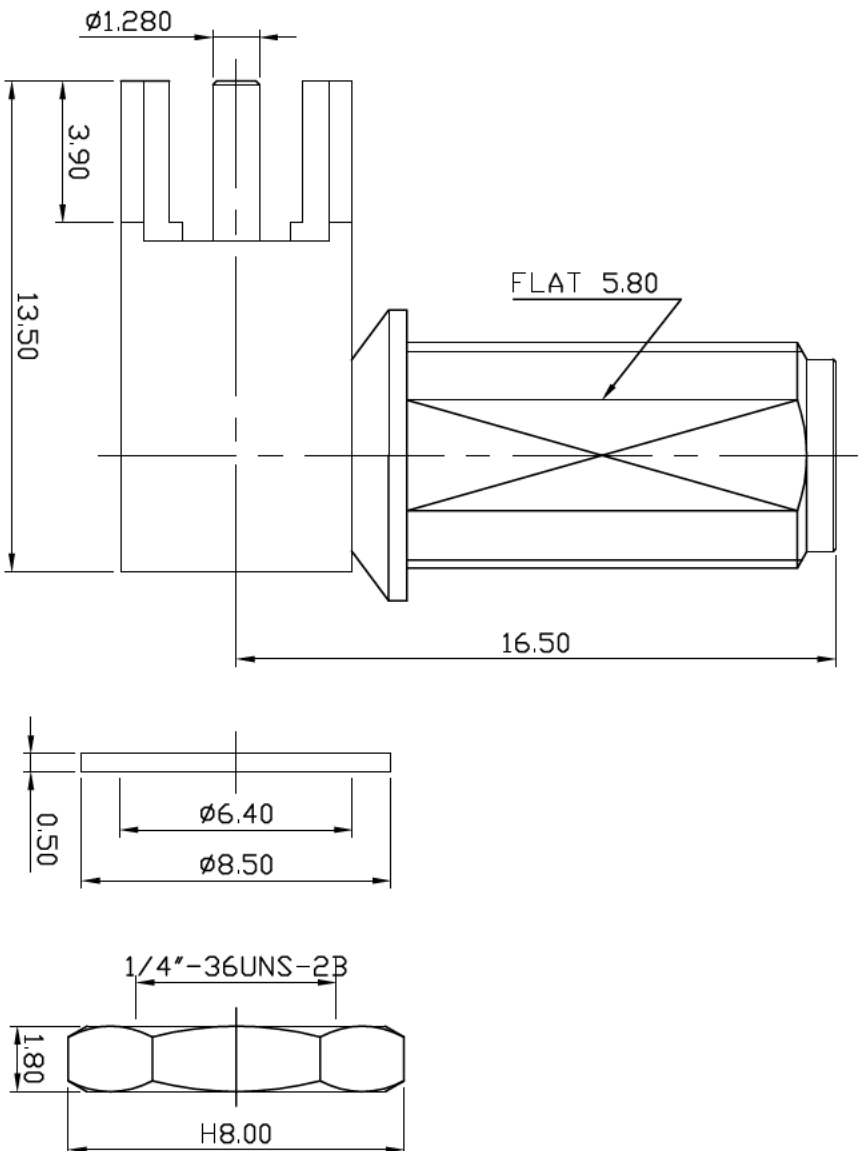
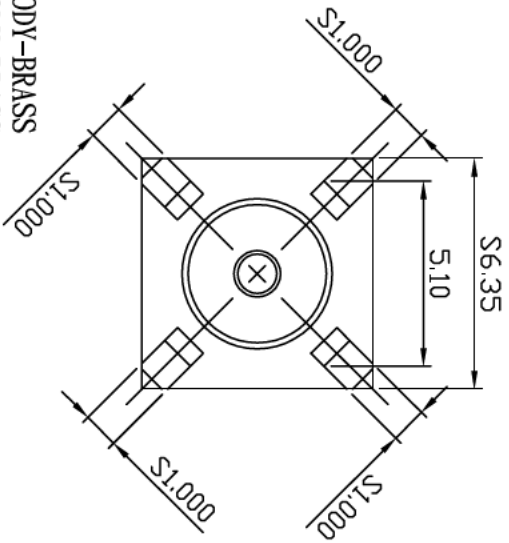


Impedance : 50 ohm
 Frequency Range : 0 to 12.4GHZ
 VSWR : Angle 1.5 max
 INSULATOR Resistance : 5000 megohms min



MATERIAL : BODY-BRASS

BODY-BRASS

CONTACT PIN-BERYLLIUM COPPER

CONTACT PIN-BRASS

INSULATOR-TEFLON

INSULATOR-TEFLON

CAP-BRASS

WASHER-BRASS

NUT-BRASS

FINISH : BODY-GOLD PLATING OVER NICKEL

CONTACT PIN-GOLD PLATING OVER NICKEL

CAP-GOLD PLATING OVER NICKEL

WASHER-GOLD PLATING OVER NICKEL

NUT-GOLD PLATING OVER NICKEL

DIMENSIONS ARE IN MILLIMETERS
 TOLERANCE

SCHMID-M

TITLE SMA FEMALE R/A PC MOUNT CONNECTOR

DRAWING NO SMA-5223-TGG

DRAWN	. . . x	±0.5	ANGLE	±3°	SCALE	5:1
	. . . x x	±0.1				
APPROVAL	. . . x x	±0.05	REV	A-0	DATE	92.06.12

FILE NO