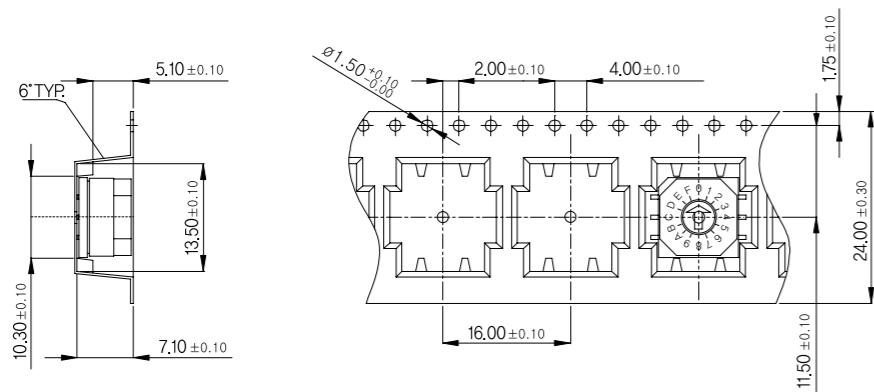
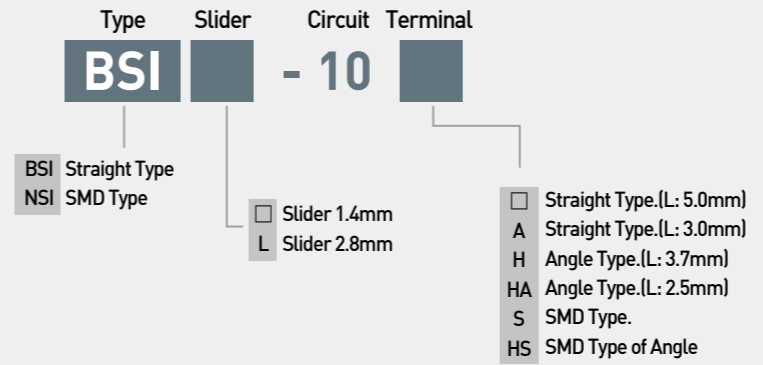


10 Pitch Cumulative Tolerance on Tape ± 0.2

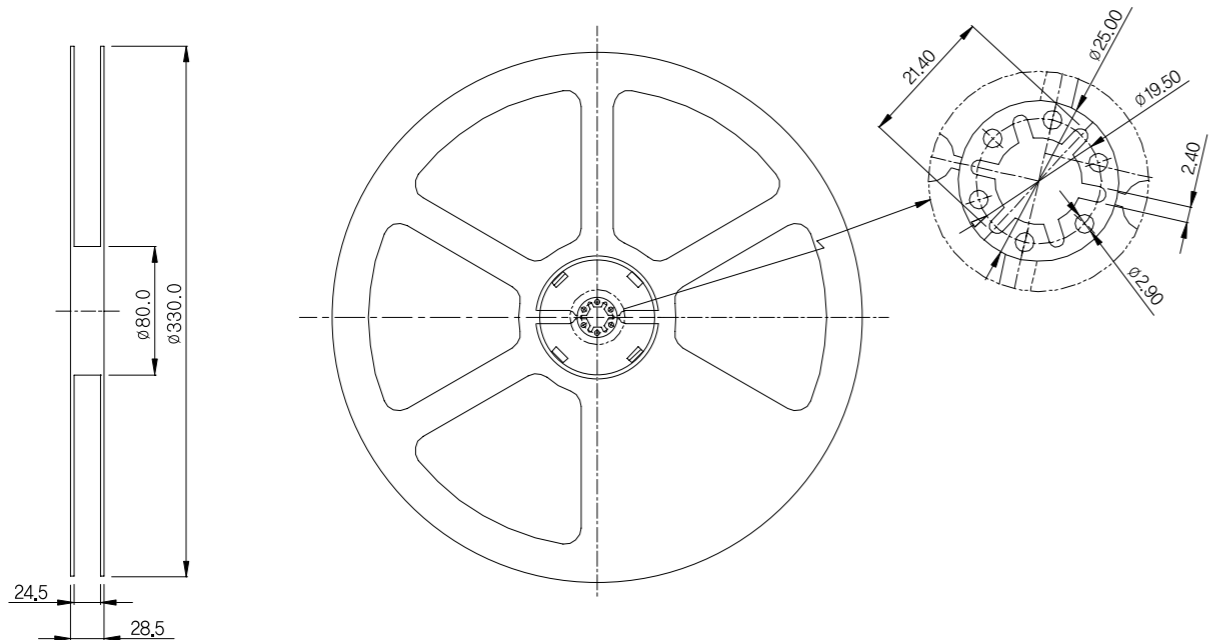


Order Code

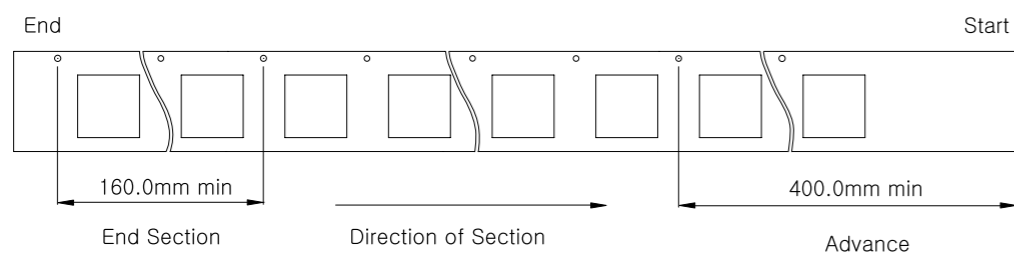


General Specification

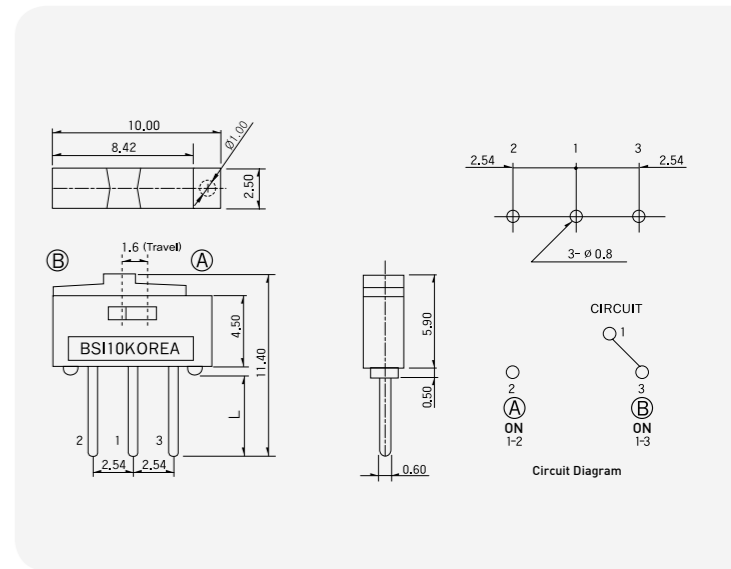
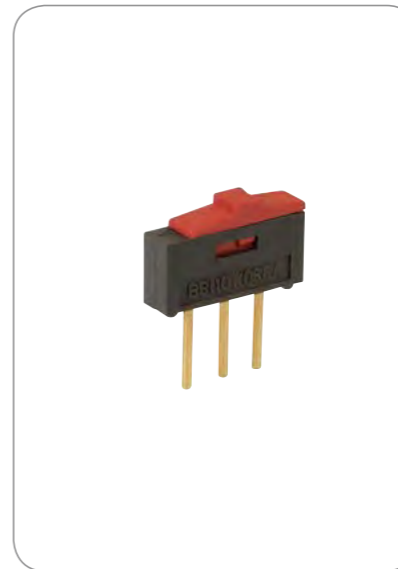
- 1. Rating AC,DC 12V 0.5A~ 24V 0.3A
- 2. Contact Resistance Max 30m Ω
- 3. Operating Force 250gf \pm 150gf
- 4. Travel 1.6mm
- 5. Life Cycle 2,000cycle(with load)
- 6. Solder Conditions 5sec, 270 C



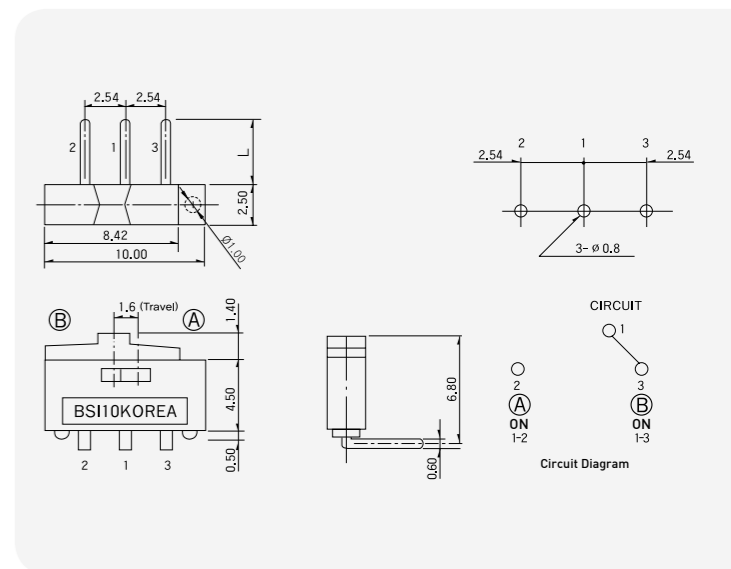
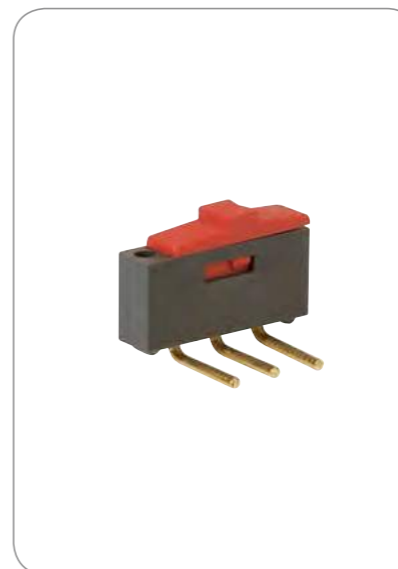
Apply to	Units(pcs)
SDR-S(SMD) Type	600
TDR-S(SMD) Type	600
FDR-S(SMD) Type	600
SSR-S(SMD) Type	180
SPR-S(SMD) Type	350



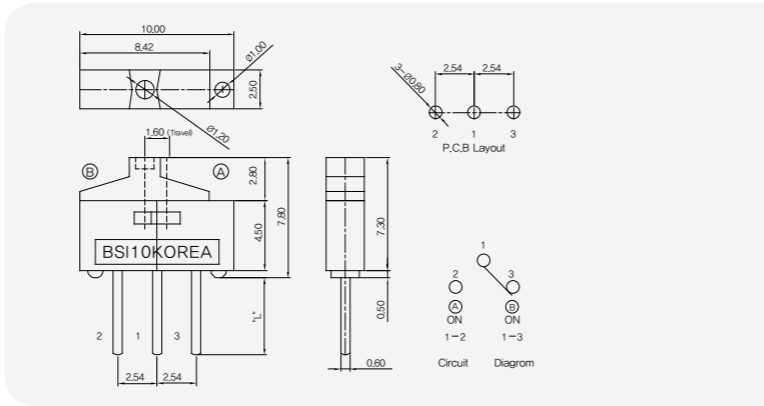
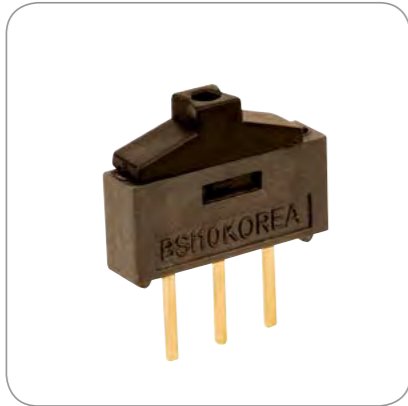
BSI-10



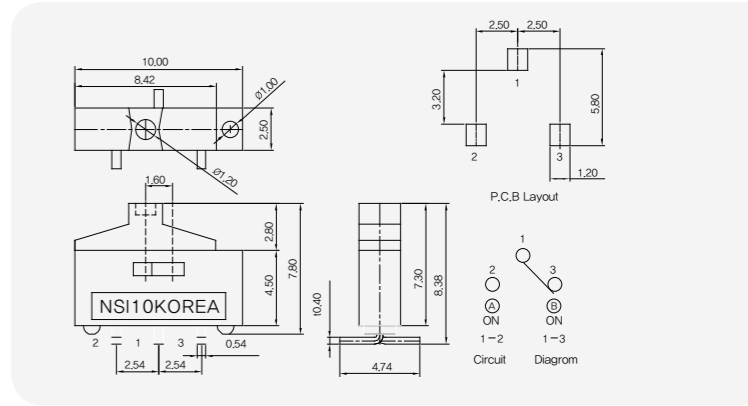
BSI-10H



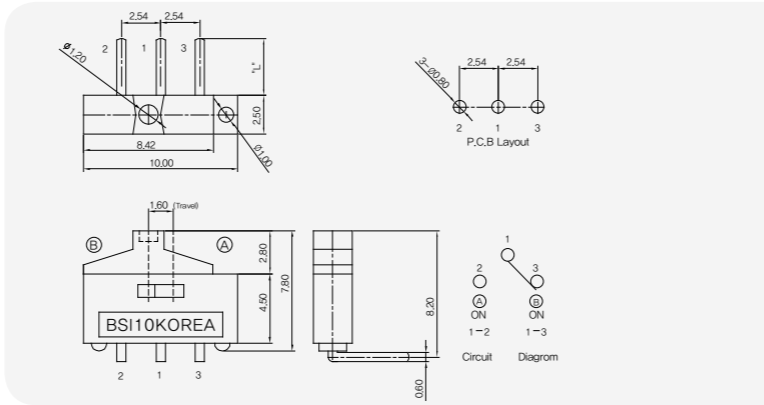
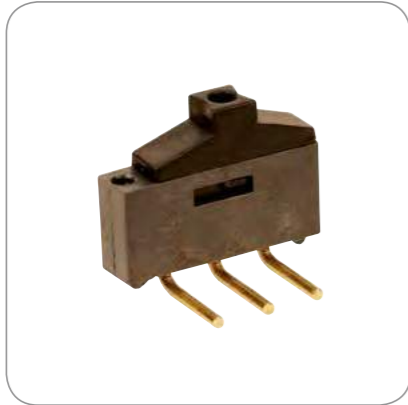
BSIL-10



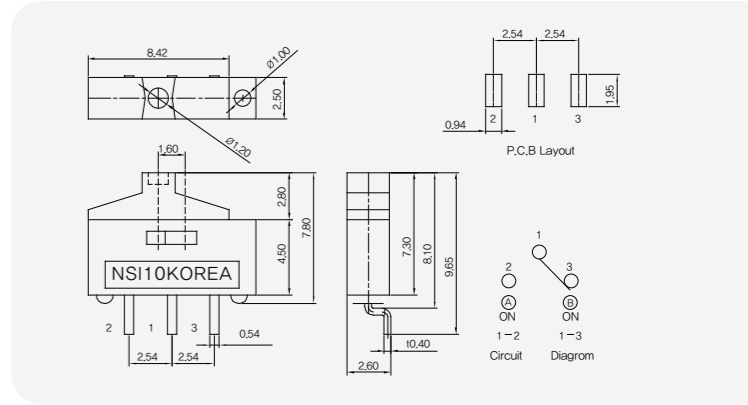
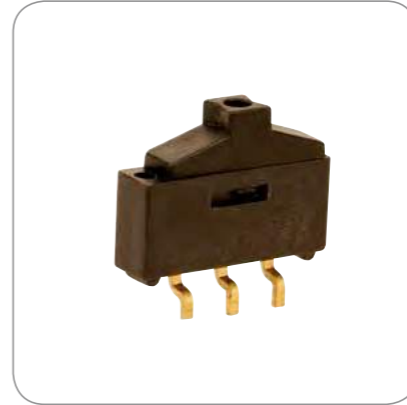
NSIL-10S



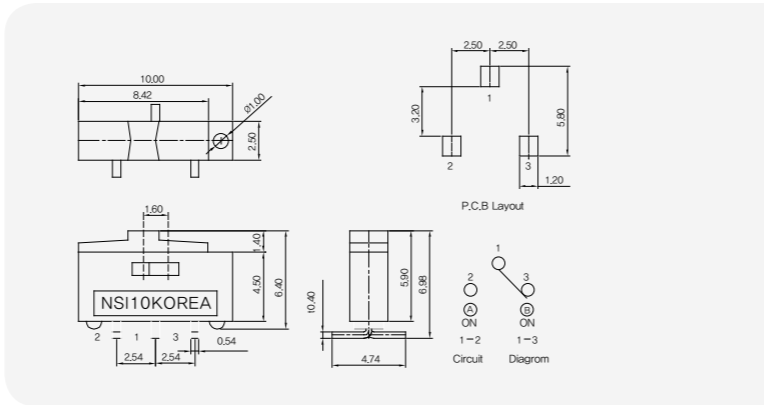
BSIL-10H



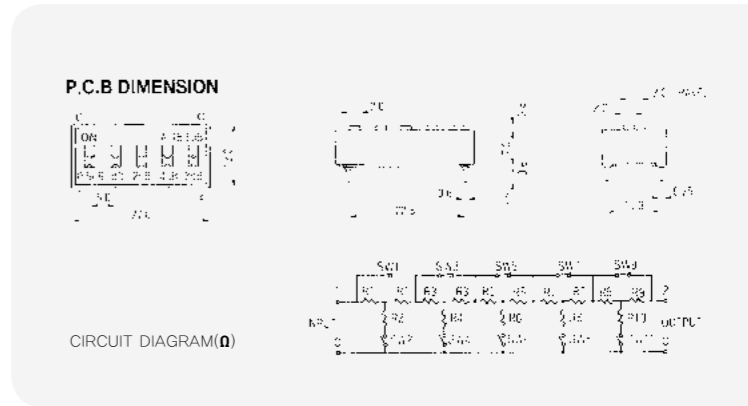
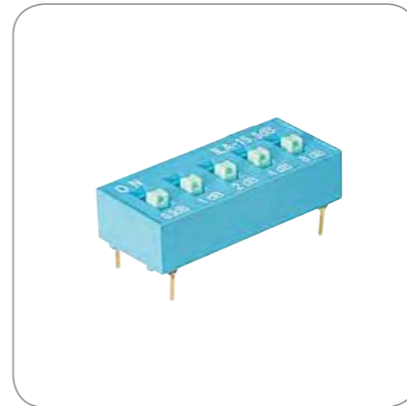
NSIL-10HS



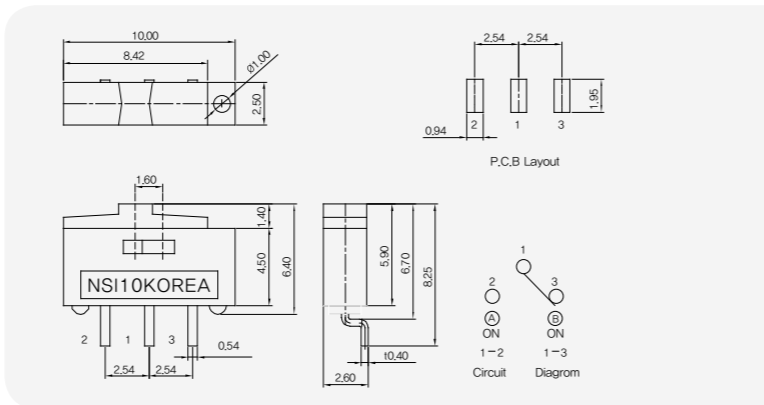
NSI-10S



15.5 dB



NSI-10HS



31 dB

