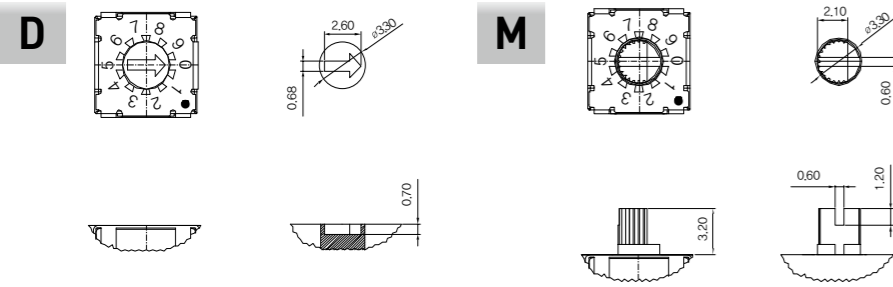


MINI ROTARY DIP SWITCH 7.3x7.3(H:2.9) SIZE



1 Actuators



2 Code

R Real Code

10 Position	Real Code				
	C	1	2	4	8
0
1
2
3
4
5
6
7
8
9

16 Position	Real Code				
	C	1	2	4	8
0
1
2
3
4
5
6
7
8
9
10
11
12
13
14
15

C Complement Code

10 Position	Complement Code				
	C	1	2	4	8
0
1
2
3
4
5
6
7
8
9

16 Position	Complement Code				
	C	1	2	4	8
0
1
2
3
4
5
6
7
8
9
10
11
12
13
14
15

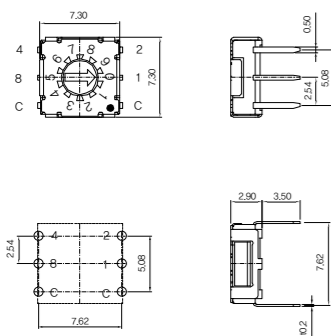
3 Position

10 Position

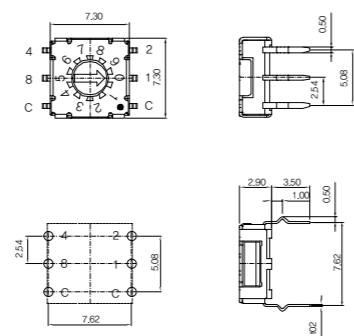
16 Position

4 Terminals

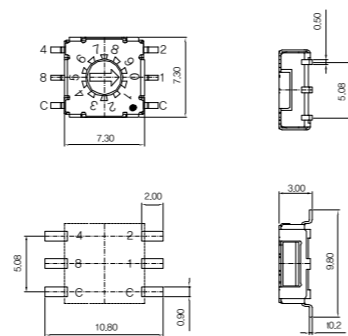
- Standard Type



B Crimped Type



S SMD Type



5 Packing

- Tube Packing Q'ty : 70pcs / Tube

TR Reel Packing See Page 14

ROTARY DIP SWITCH (10x10 SIZE)

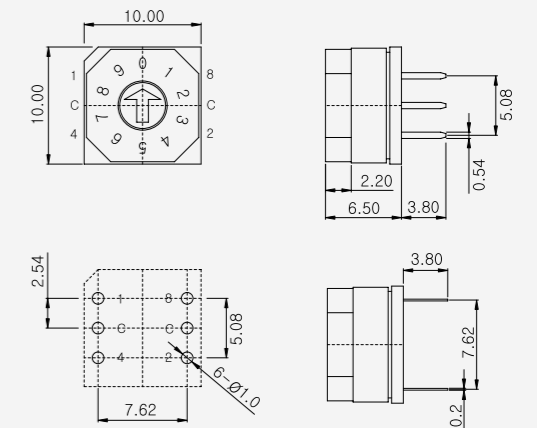


S

SDR Series
(Octagon Type)
(3x3 Terminal)
(3x2 Terminal)



1 Type

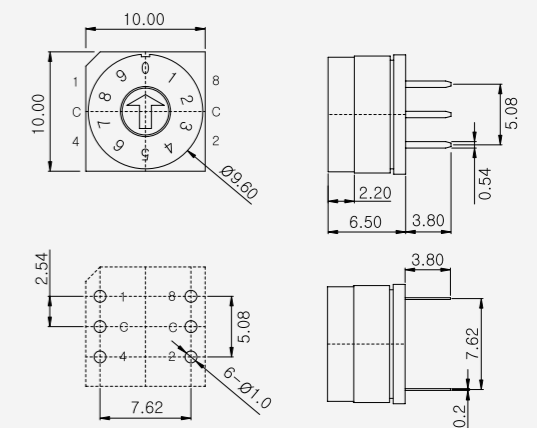


T

TDR Series
(Round Type)
(3x3 Terminal)
(3x2 Terminal)



1 Type



How to Order

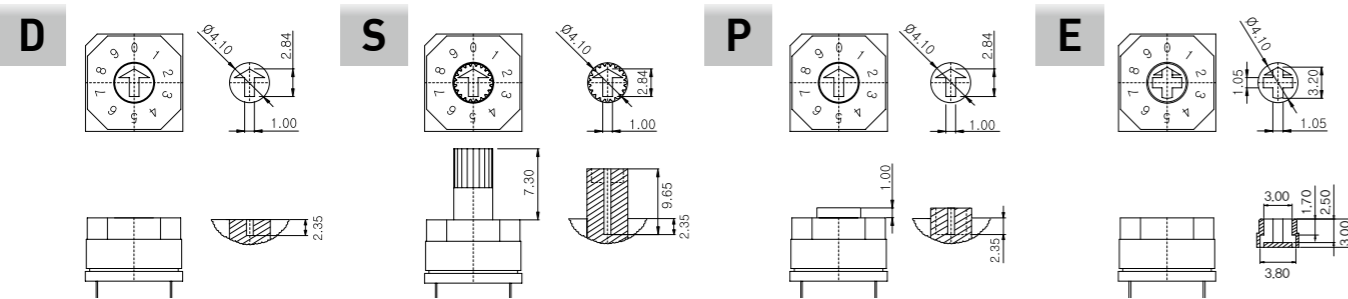
Type	Actuators	Code	Position	Terminals	Solder Condition
1	2	3	4	5	6
S	D	R	10	C	-

Type	Actuators	Code	Position	Terminals	Solder Condition
1	2	3	4	5	6
T	D	R	10	C	-

General Specification

- Rating**
Voltage 42V
150mA (Switching)
200mA (None-Switching)
- Contact Resistance**
80mΩ Max
- Insulation Resistance**
100MΩ Min
- Operating Force**
700gf Max
- Life Cycle**
10,000 steps
- Solder Condition**
Iron Soldering : 2s/340°C
Wave Soldering : 5s/280°C
- Sealing**
IP67 (Dust & Water Proof)
*Except Cross Type of Actuator ("E" Type)

2 Actuators



3 Code

(See Page 23)

4 Position

4 Position

6 Position

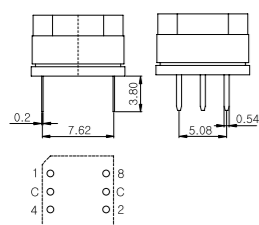
8 Position

10 Position

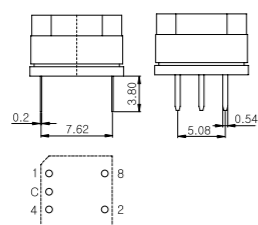
16 Position

5 Terminals

- Standard Type



C (3x2 Ter')



6 Solder Conditions

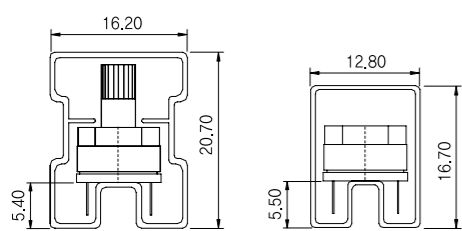
PCB Hole Type : Iron Soldering : 2s/340°C
Wave Soldering : 5s/280°C

T

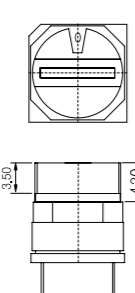
Through Hole Reflow : Reflow Soldering : 10s/260°C
Iron Soldering : 4s/350°C
Wave Soldering : 5s/280°C

7 Packing

- Tube Packing Q'ty : 50pcs / Tube



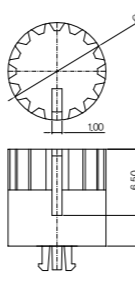
RK-100



RK-200



RK-300



RK-200 L: 7.3mm
RK-201 L: 11.6mm
RK-202 L: 13.3mm

RK-300 L: 9.5mm
RK-301 L: 14.5mm
RK-302 L: 19.0mm

*Applicable to only 'E' Actuators
*Should be mounted after soldering

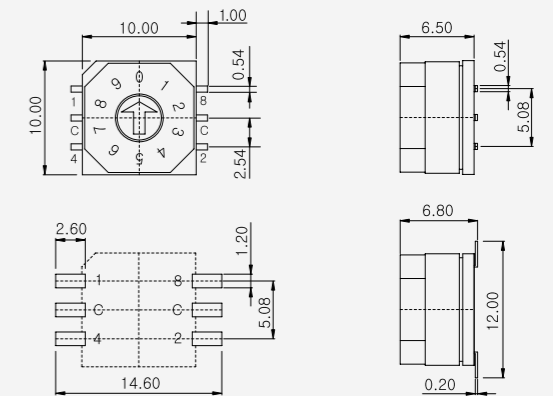
G : Gray **R** : Red **K** : Black
Y : Yellow **B** : Blue **C** : Clear

S

SDR Series
(SMD Type)
(3x3 Terminal)
(3x2 Terminal)



1 Type

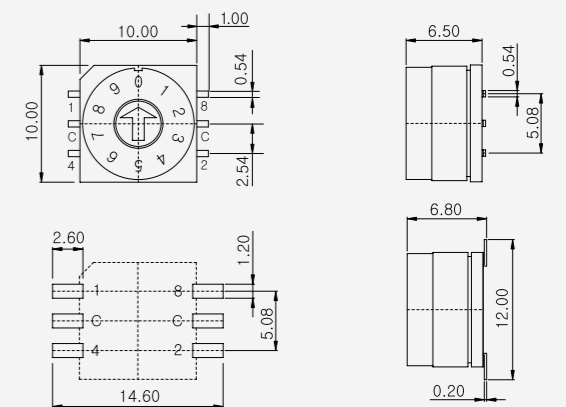


T

TDR Series
(SMD Type)
(3x3 Terminal)
(3x2 Terminal)



1 Type



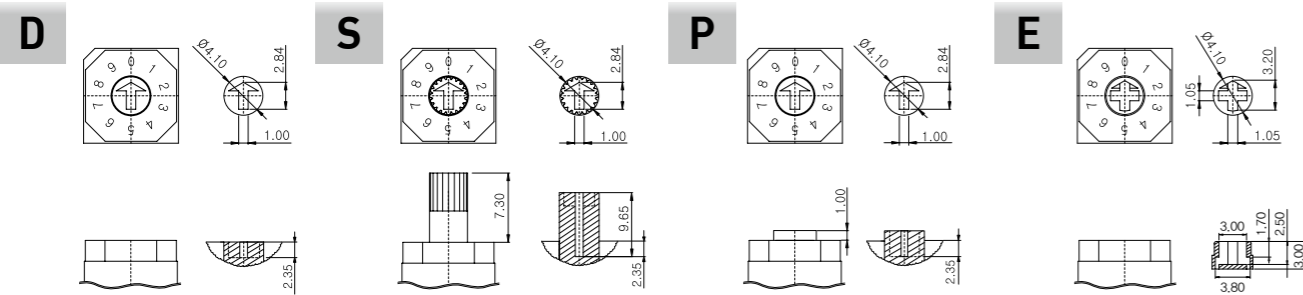
How to Order

Type	Actuators	Code	Position	Terminals	Packing	
1	2	3	-	4	5	6
Ex) S	D	R	10	S	TR	
Type	Actuators	Code	Position	Terminals	Packing	
1	2	3	-	4	5	6
Ex) T	D	R	10	S	TR	

General Specification

- Rating**
Voltage 42V
150mA (Switching)
200mA (None-Switching)
- Contact Resistance**
80mΩ Max
- Insulation Resistance**
100MΩ Min
- Operating Force**
700gf Max
- Life Cycle**
10,000 steps
- Solder Condition**
Reflow Soldering : 10s/260°C
Iron Soldering : 4s/350°C
Wave Soldering : 5s/280°C
- Sealing**
IP67 (Dust & Water Proof)
*Except Cross Type of Actuator ("E" Type)

2 Actuators



3 Code

(See Page 23)

4 Position

4 Position

6 Position

8 Position

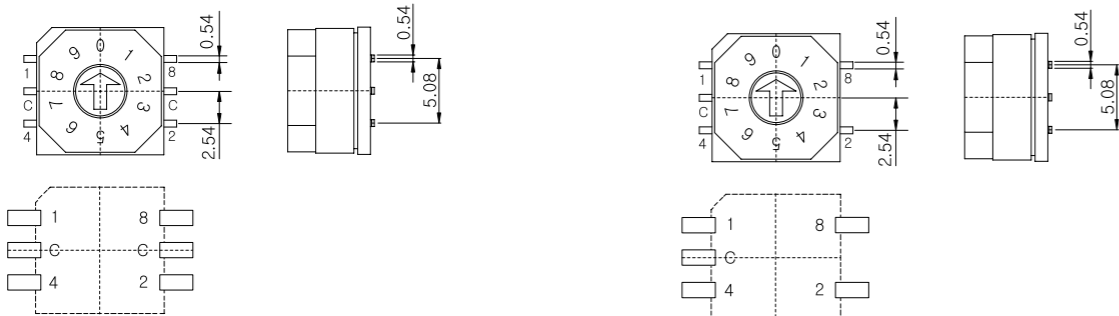
10 Position

16 Position

5 Terminals

S Standard Type

SC (3×2 Ter')

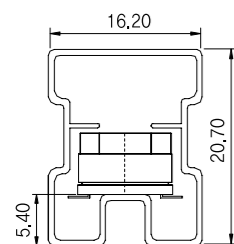


6 Packing

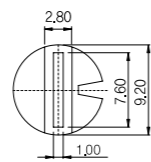
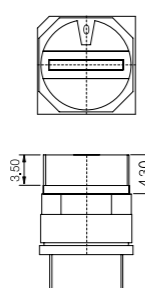
Accessories

- Tube Packing
Q'ty : 50pcs / Tube

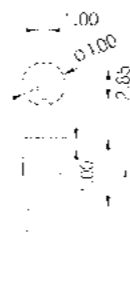
TR Reel Packing
(See Page 28)



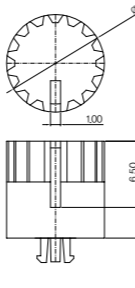
RK-100 [G]



RK-200 [G]



RK-300 [G]



RK-200 [G]
L: 7.3mm

RK-201 [G]
L: 11.6mm

RK-202 [G]
L: 13.3mm

RK-300 [G]
L: 9.5mm

RK-301 [G]
L: 14.5mm

RK-302 [G]
L: 19.0mm

*Applicable to only 'E' Actuators
*Should be mounted after soldering

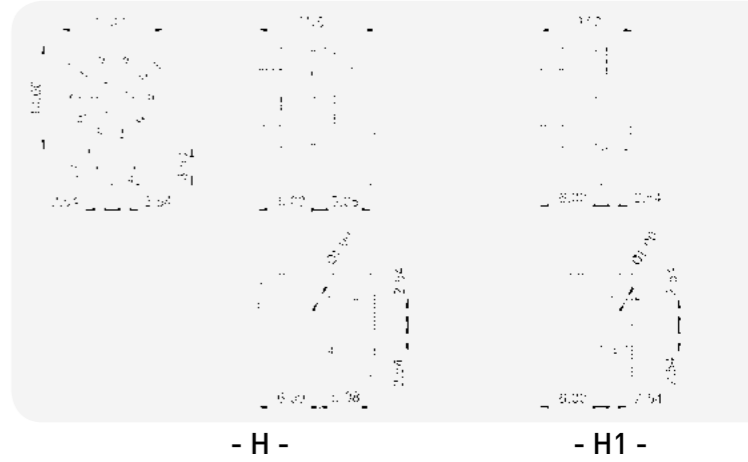
G : Gray R : Red K : Black
Y : Yellow B : Blue C : Clear

S

SDR Series
(Angle Type)
(3×3 Terminal)

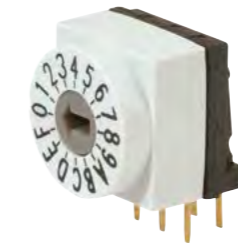


1 Type

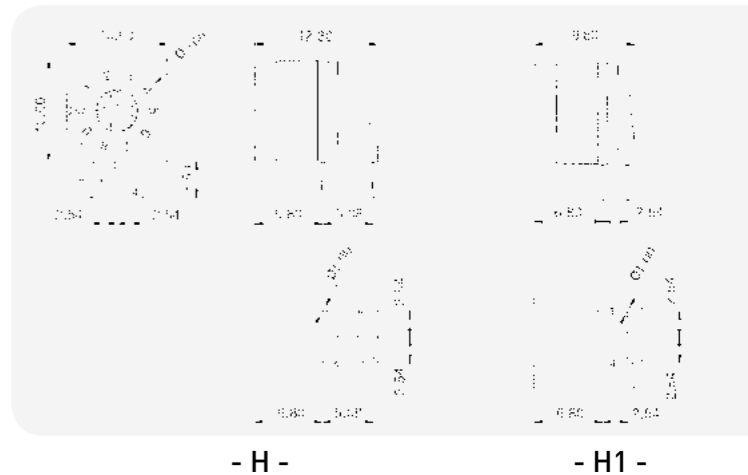


T

TDR Series
(Angle Type)
(3×3 Terminal)



1 Type



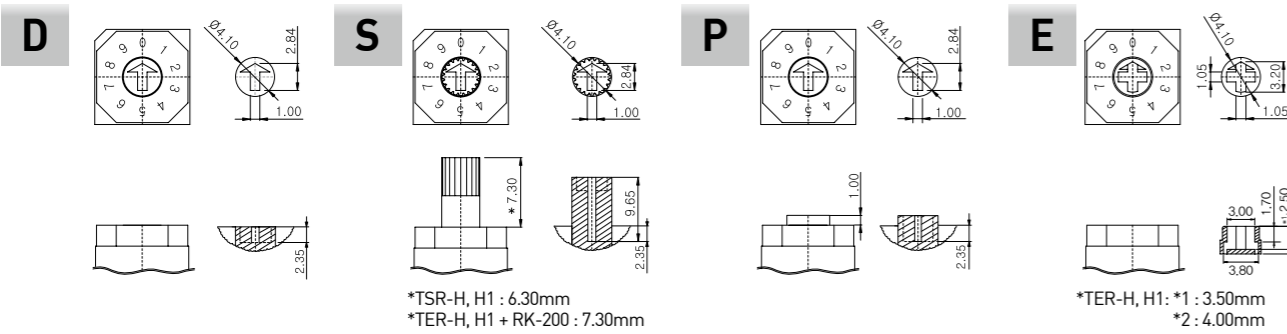
How to Order

	Type	Actuators	Code	Position	Terminals	Solder Condition
Ex)	1	2	3	4	5	6
	S	D	R	10	H	-
Ex)	1	2	3	4	5	6
	T	D	R	10	H	-

General Specification

- Rating**
Voltage 42V
150mA (Switching)
200mA (None-Switching)
- Contact Resistance**
80mΩ Max
- Insulation Resistance**
100MΩ Min
- Operating Force**
700gf Max
- Life Cycle**
10,000 steps
- Solder Condition**
Reflow Soldering : 10s/260°C
Iron Soldering : 4s/350°C
Wave Soldering : 5s/280°C
- Sealing**
IP67 (Dust & Water Proof)
*Except Cross Type of Actuator ("E" Type)

2 Actuators



3 Code

(See Page 23)

4 Position

4 Position

6 Position

8 Position

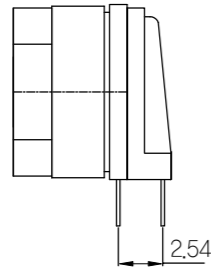
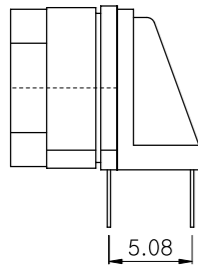
10 Position

16 Position

5 Terminals

H Angle Type(5.08)

H1 Angle Type(2.54)



6 Solder Conditions

PCB Hole Type : Iron Soldering : 2s/340°C
Wave Soldering : 5s/280°C

T

Through Hole Reflow : Reflow Soldering : 10s/260°C
Iron Soldering : 4s/350°C
Wave Soldering : 5s/280°C

7 Packing

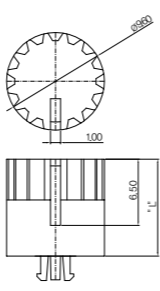
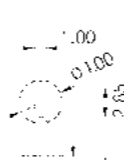
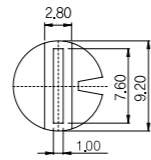
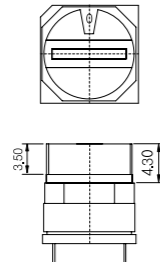
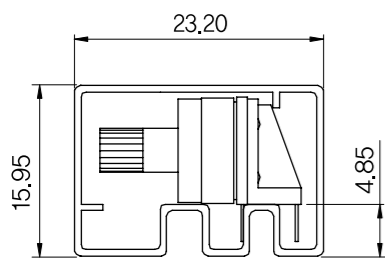
- Tube Packing Q'ty : 50pcs / Tube

Accessories

RK-100 [G]

RK-200 [G]

RK-300 [G]



RK-200 [G] L: 7.3mm
RK-201 [G] L: 11.6mm
RK-202 [G] L: 13.3mm

RK-300 [G] L: 9.5mm
RK-301 [G] L: 14.5mm
RK-302 [G] L: 19.0mm

*Applicable to only 'E' Actuators
*Should be mounted after soldering

G : Gray R : Red K : Black
Y : Yellow B : Blue C : Clear

3 Code

R Real Code

Position	Real Code	Real Code	Real Code	Real Code	Real Code
	C 1 2	C 1 2 4 8	C 1 2 4 8	C 1 2 4 8	C 1 2 4 8
04 Position	0	0	0	0	0
06 Position	0	0	0	0	0
08 Position	0	0	0	0	0
10 Position	0	0	0	0	0
16 Position	0	0	0	0	0

C Complement Code

Position	Complement Code	Complement Code	Complement Code	Complement Code	Complement Code
	C 1 2	C 1 2 4 8	C 1 2 4 8	C 1 2 4 8	C 1 2 4 8
04 Position	0	0	0	0	0
06 Position	0	0	0	0	0
08 Position	0	0	0	0	0
10 Position	0	0	0	0	0
16 Position	0	0	0	0	0

G Gray Code

Position	Gray Code	Gray Code	Gray Complement Code	Code	Code
	C 1 2 4 8	C 1 2 4 8	C 1 2 4 8	C 0 1 2 3	C 0 1 2 3
10 Position	0	0	0	0	0
16 Position	0	0	0	0	0
10 Position	0	0	0	0	0
Position	0	0	0	0	0
Position	0	0	0	0	0

Special Code

Position	Real Code	Complement Code	Dezimal	Real Code	Real Code
	C 1 2 4 8	C 1 2 4 8	C 1 2 3 4	C 1 2 4 8	C 1 2
10 Position	0	0	0	0	0
16 Position	0	0	0	0	0
04 Position	0	0	0	0	0
06 Position	0	0	0	0	0
04 Position	0	0	0	0	0
16 Position	0	0	0	0	0
10 Position	0	0	0	0	0
04 Position	0	0	0	0	0
06 Position	0	0	0	0	0
10 Position	0	0	0	0	0
16 Position	0	0	0	0	0

*Applicable to only 'E' Actuators
*Should be mounted after soldering

G : Gray R : Red K : Black
Y : Yellow B : Blue C : Clear