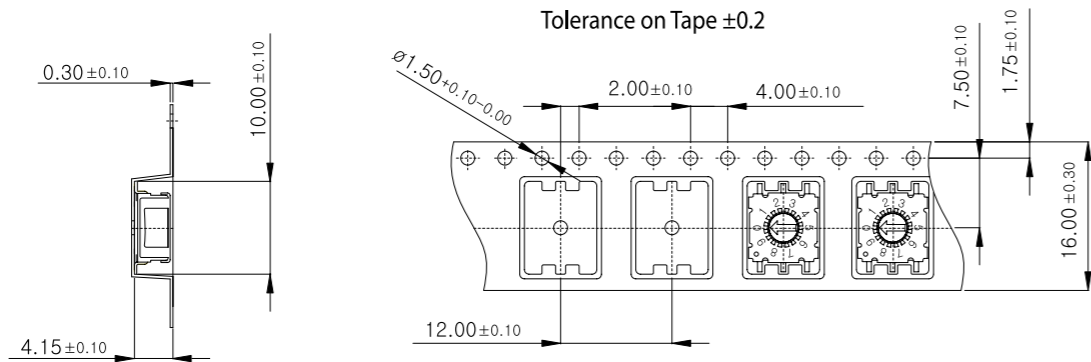
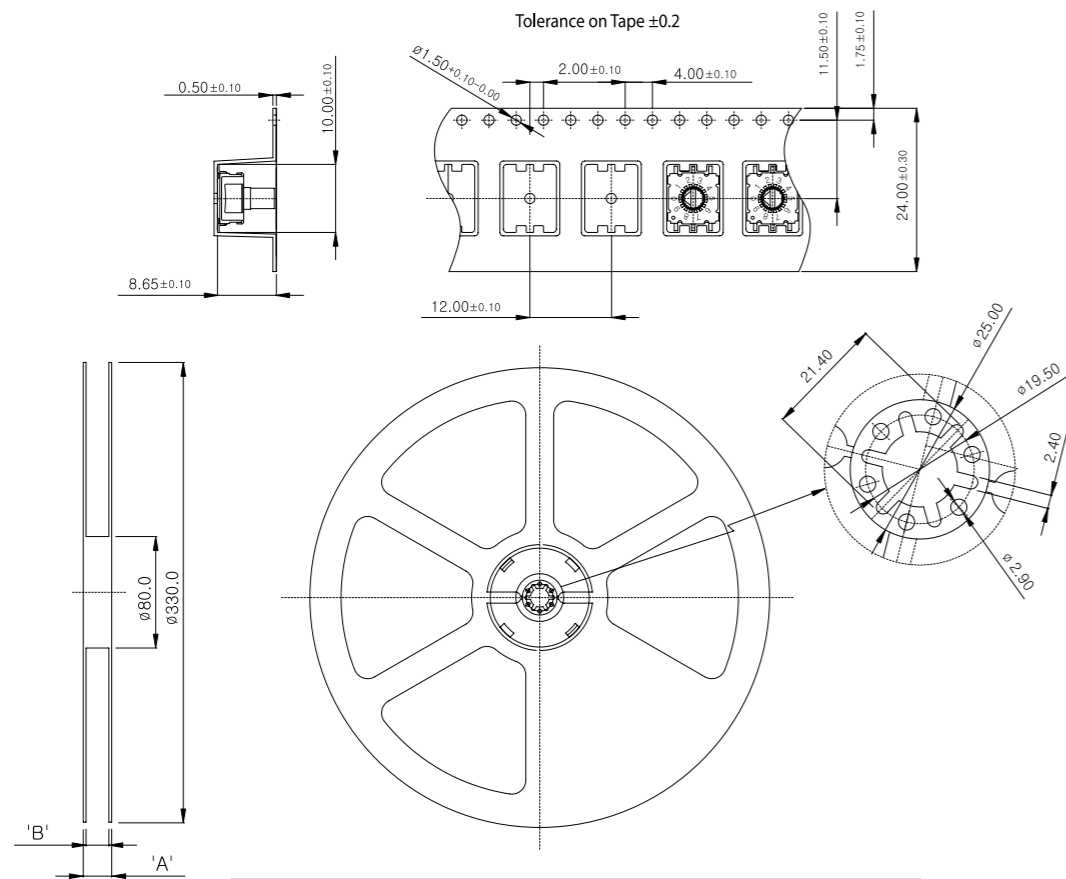


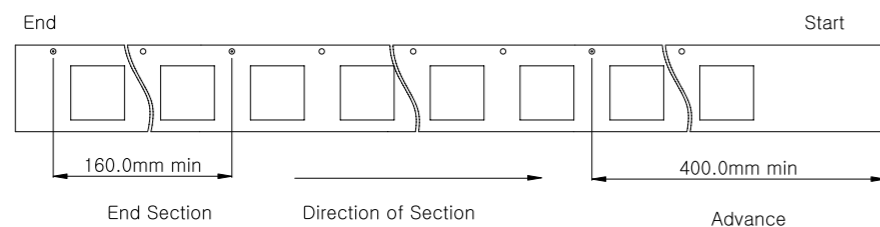
MSDR-S, GSDR-S(SMD) Type



MSSR-S, GSMR-S(SMD) Type

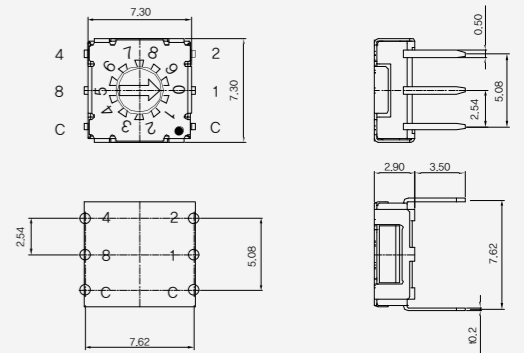


Apply to	Units(pcs)	A	B
MSDR-S, GSDR-S(SMD) Type	1300	22.4	16.4
MSSR-S, GSMR-S(SMD) Type	600	30.4	24.4



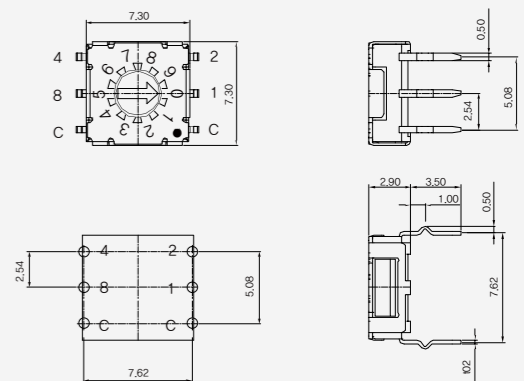
GS

**GS Series
(Standard Type)**



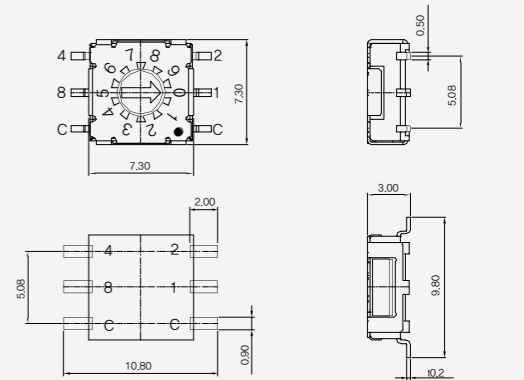
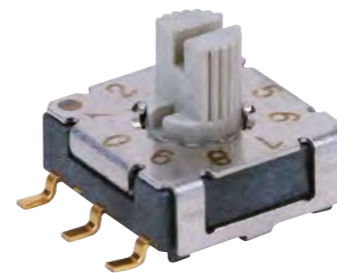
GS

**GS Series
(Crimped Type)**



GS

**GS Series
(SMD Type)**



How to Order

Type	Actuators	Code	Position	Terminals	Packing
GS	1	2	3	4	5
Ex) GS	D	R	10	S	-

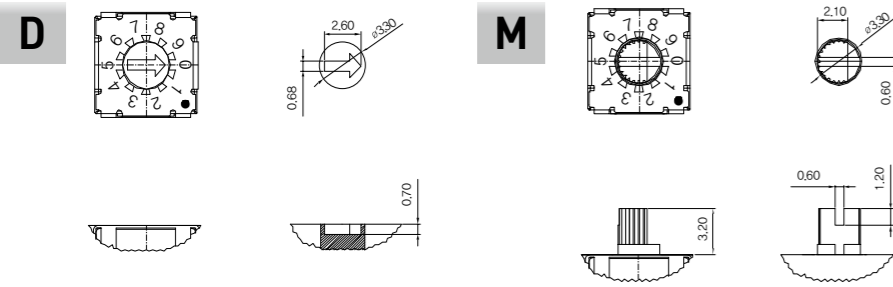
General Specification

- Rating**
Voltage 42V
100mA (Switching)
400mA (None-Switching)
- Contact Resistance**
100mΩ Max
- Insulation Resistance**
100MΩ Min
- Operating Force**
120gf±30gf
- Life Cycle**
25,000 steps
- Solder Condition**
Solder reflow max : 10s/260°C
Solder iron max : 4s/350°C
Solder bath max : 5s/280°C
- Sealing**
IP67 (Dust & Water Proof)

MINI ROTARY DIP SWITCH 7.3x7.3(H:2.9) SIZE



1 Actuators



2 Code

R Real Code

10 Position	Real Code				
	C	1	2	4	8
0
1
2
3
4
5
6
7
8
9

16 Position	Real Code				
	C	1	2	4	8
0
1
2
3
4
5
6
7
8
9
A
B
C
D
E
F

C Complement Code

10 Position	Complement Code				
	C	1	2	4	8
0
1
2
3
4
5
6
7
8
9

16 Position	Complement Code				
	C	1	2	4	8
0
1
2
3
4
5
6
7
8
9
A
B
C
D
E
F

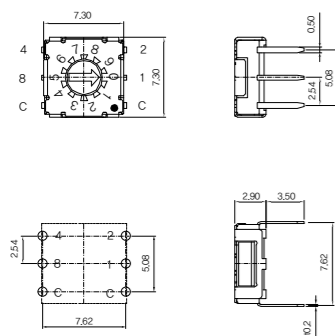
3 Position

10 Position

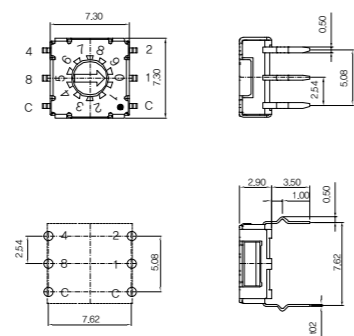
16 Position

4 Terminals

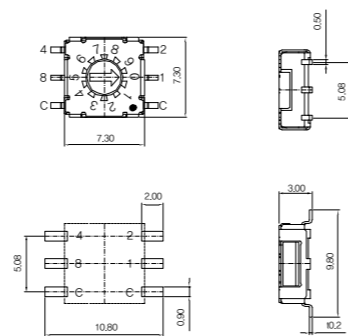
- Standard Type



B Crimped Type



S SMD Type



5 Packing

- Tube Packing Q'ty : 70pcs / Tube

TR Reel Packing See Page 14

ROTARY DIP SWITCH (10x10 SIZE)



S

SDR Series
(Octagon Type)
(3x3 Terminal)
(3x2 Terminal)

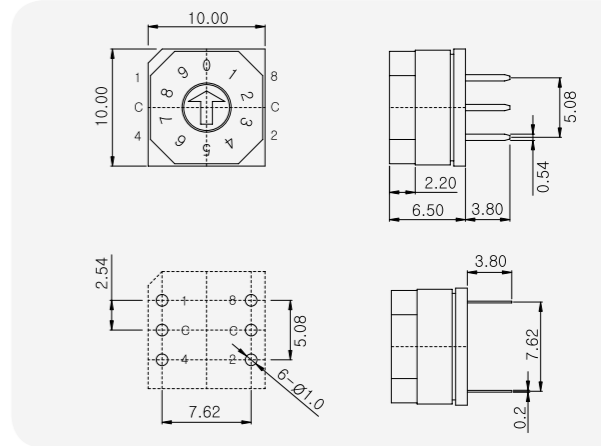


T

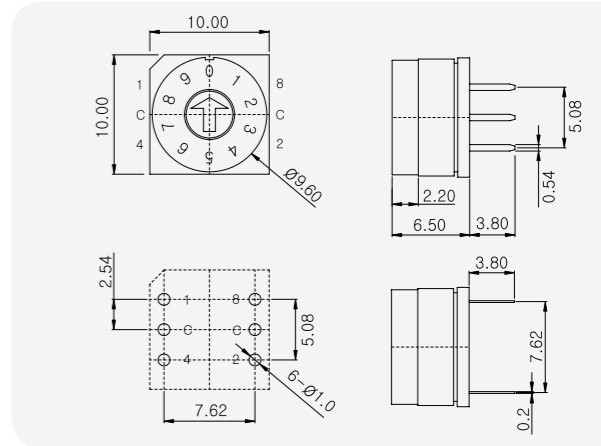
TDR Series
(Round Type)
(3x3 Terminal)
(3x2 Terminal)



1 Type



1 Type



How to Order

Type	Actuators	Code	Position	Terminals	Solder Condition
1	2	3	4	5	6
S	D	R	10	C	-

Type	Actuators	Code	Position	Terminals	Solder Condition
1	2	3	4	5	6
T	D	R	10	C	-

General Specification

- Rating**
Voltage 42V
150mA (Switching)
200mA (None-Switching)
- Contact Resistance**
80mΩ Max
- Insulation Resistance**
100MΩ Min
- Operating Force**
700gf Max
- Life Cycle**
10,000 steps
- Solder Condition**
Iron Soldering : 2s/340°C
Wave Soldering : 5s/280°C
- Sealing**
IP67 (Dust & Water Proof)
*Except Cross Type of Actuator ("E" Type)