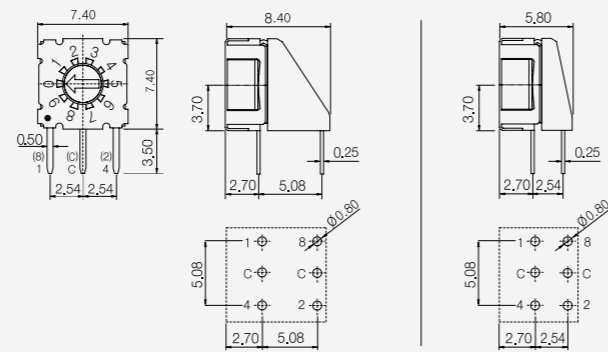


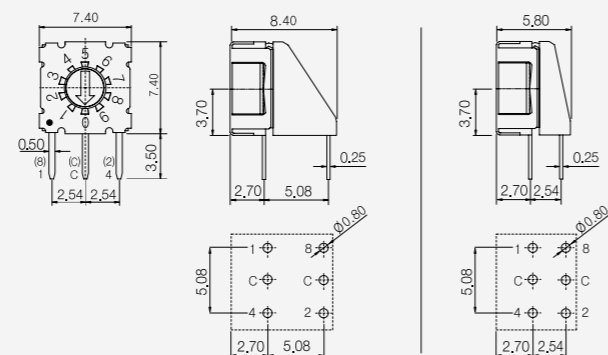
### MS

MS Series  
(Angle Type)



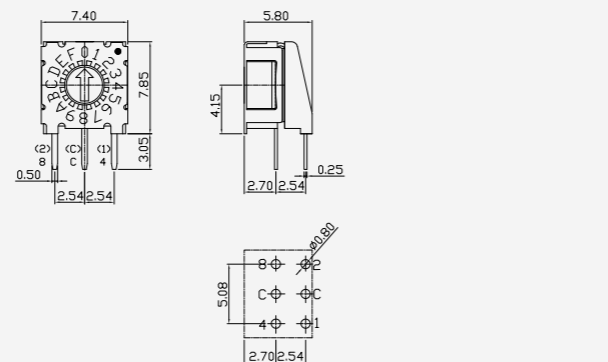
### MA

MA Series  
(Angle Type)



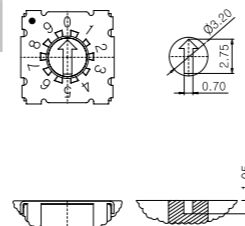
### MD

MD Series  
(Angle Type)



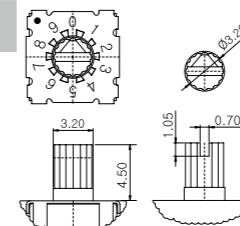
## 1 Actuators

**D**



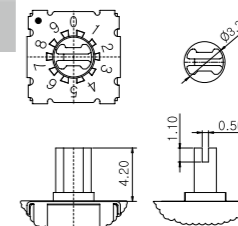
Application : MS Series  
MA Series  
MD Series

**S**



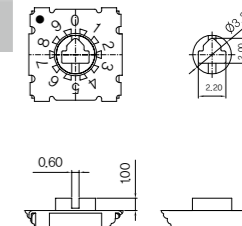
Application : MS Series

**K**



Application : MS Series

**G**



Application : MS Series

## 2 Code

10 Position	Real Code				<b>R</b>	Real Code
	C	1	2	4 8		
0						
1						
2						
3						
4						
5						
6						
7						
8						
9						

**Actuator Color**  
MS Type : Red  
MA Type : Green  
MD Type : Yellow

16 Position	Real Code				<b>C</b>	Complement Code
	C	1	2	4 8		
0						
1						
2						
3						
4						
5						
6						
7						
8						
9						
10						A
11						B
12						C
13						D
14						E
15						F

**Actuator Color**  
MS Type : Orange  
MA Type : Violet

16 Position	Complement Code				<b>M</b>	Code
	C	1	2	4 8		
0						
1						
2						
3						
4						
5						
6						
7						
8						
9						
10						A
11						B
12						C
13						D
14						E
15						F

**Actuator Color**  
MS Type : Ivory

10 Position	Gray Code				<b>G</b>	Gray Code
	C	1	2	4 8		
0						
1						
2						
3						
4						
5						
6						
7						
8						
9						

**Actuator Color**  
MS Type : Brown

16 Position	Gray Code				<b>N</b>	Code
	C	1	2	4 8		
0						
1						
2						
3						
4						
5						
6						
7						
8						
9						
10						A
11						B
12						C
13						D
14						E
15						F

**Actuator Color**  
MS Type : Blue

Position	Code				<b>3</b>	Position
	C	0	1	2 3		
0						
1						
2						
3						

**Actuator Color**  
MS Type : Pistachio

## How to Order

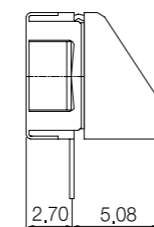
Type	Actuators	Code	Position	Terminals	Packing
MS	1	2	3	4	5
Ex) MS	D	R	10	H	-

## General Specification

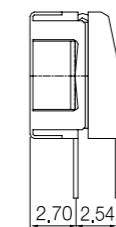
- Rating**  
Voltage 42V  
100mA (Switching)  
400mA (None-Switching)
- Contact Resistance**  
80mΩ Max
- Insulation Resistance**  
100MΩ Min
- Operating Force**  
120gf±30gf
- Life Cycle**  
25,000 steps
- Solder Condition**  
Iron Soldering : 4s/350°C  
Wave Soldering : 5s/280°C
- Sealing**  
IP67 (Dust & Water Proof)

## 4 Terminals

**H** Angle Type(5.08)



**H1** Angle Type(2.54)



## 5 Packing

**-** Tube Packing Q'ty : 65pcs / Tube

