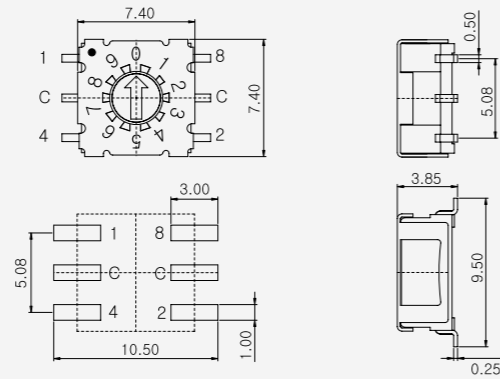


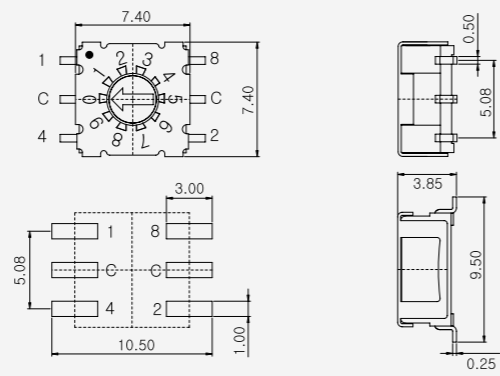
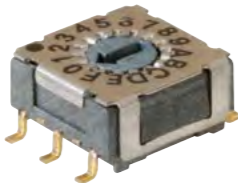
MS

MS Series
(SMD Type)



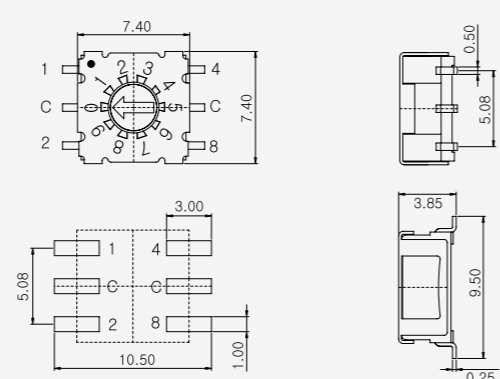
MA

MA Series
(SMD Type)



MD

MD Series
(SMD Type)



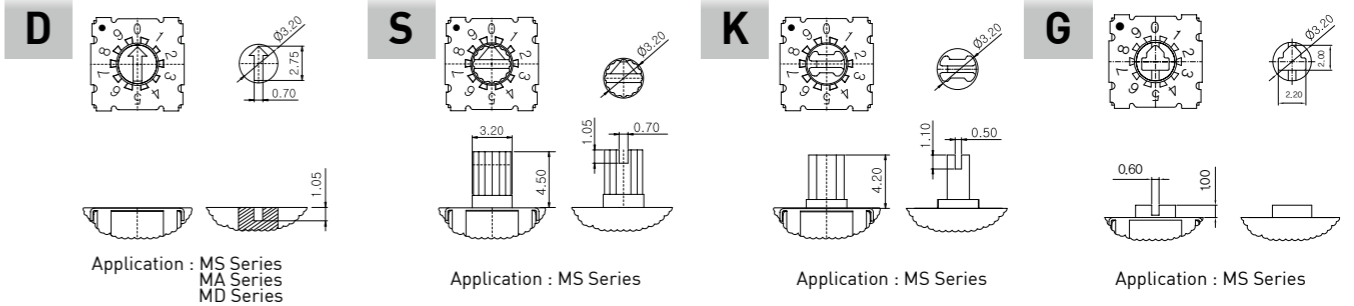
How to Order

Type	Actuators	Code	Position	Terminals	Packing
MS	1	2	3	4	5
Ex) MS	D	R	10	S	TR

General Specification

- Rating**
Voltage 42V
100mA (Switching)
400mA (None-Switching)
- Contact Resistance**
80mΩ Max
- Insulation Resistance**
100MΩ Min
- Operating Force**
120gf±30gf
- Life Cycle**
25,000 steps
- Solder Condition**
Reflow Soldering : 10s/260°C
Iron Soldering : 4s/350°C
Wave Soldering : 5s/280°C
- Sealing**
IP67 (Dust & Water Proof)

1 Actuators



2 Code

<p>R Real Code</p> <p>Actuator Color</p> <p>MS Type : Red MA Type : Green MD Type : Yellow</p> <p>Actuator Color</p> <p>MS Type : Gray MA Type : Indigo</p>	<p>C Complement Code</p> <p>Actuator Color</p> <p>MS Type : Orange MA Type : Violet</p> <p>Actuator Color</p> <p>MS Type : Ivory</p>	<p>G Gray Code</p> <p>Actuator Color</p> <p>MS Type : Brown</p> <p>Actuator Color</p> <p>MS Type : Blue</p>	<p>M Code</p> <p>Actuator Color</p> <p>MS Type : Pistachio</p>	<p>N Code</p> <p>Actuator Color</p> <p>MS Type : Blue</p>
--	---	--	---	--

3 Position

- 4 Position
- 10 Position
- 16 Position

4 Terminals

<p>S SMD Type(3x3 Ter')</p>	<p>SC SMD Type(3x2 Ter')</p>	<p>- Tube Packing Q'ty : 70pcs / Tube</p>	<p>TR Reel Packing See Page 14</p>
------------------------------------	-------------------------------------	--	---