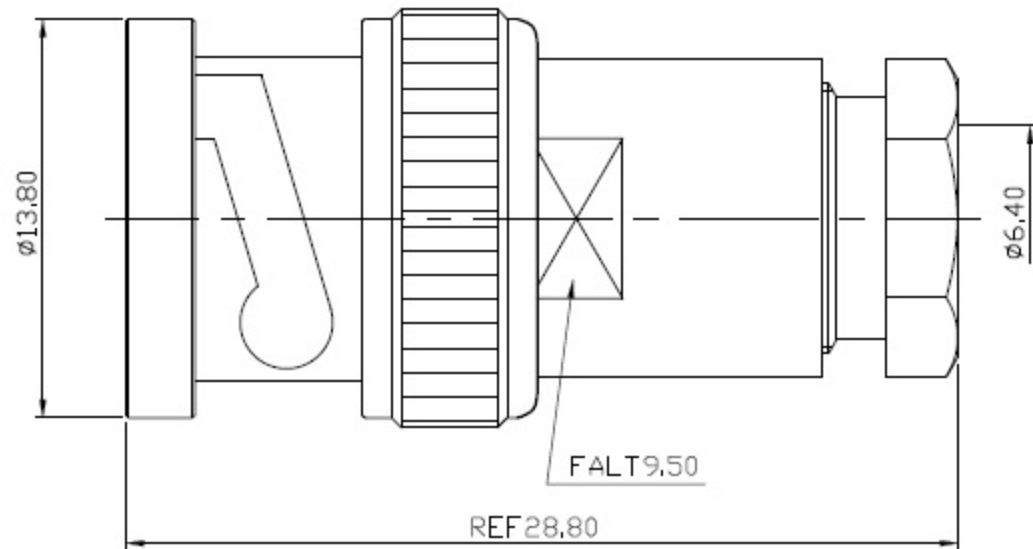


MATERIAL : BODY-BRASS
 CONTACT-BRASS
 NUT-BRASS
 SLEEVE-BRASS
 WASHER-BRASS
 GASKET-RUBBER
 INSULATOR-DELTRIN
 WASHER-BRASS
 SPRING WASHER-SK-5
 GASKET-RUBBER
 SHELL-BRASS

FINISH : BODY-NICKEL PLATING
 CONTACT-GOLD PLATING OVER NICKEL
 NUT-NICKEL PLATING
 SLEEVE-NICKEL PLATING
 WASHER-NICKEL PLATING
 WASHER-NICKEL PLATING
 SHELL-NICKEL PLATING



| | | | |
|--|-----------|-----------------|--|
| DIMENSIONS ARE IN MILLIMETERS TOLERANCE | | SCHMID-M | |
| · × ±0.5 | ANGLE ±3° | SCALE 4:1 | TITLE BNC Straight Plug Clamp for RG59u, RG62A/u, RG210u |
| · × × ±0.1 | | REV A-0 | |
| · × × × ±0.05 | | | DRAWING NO BNC-2102-DGN |
| DRAWN | DATE | 93. 02. 10 | FILE NO |
| APPROVAL | DATE | | |