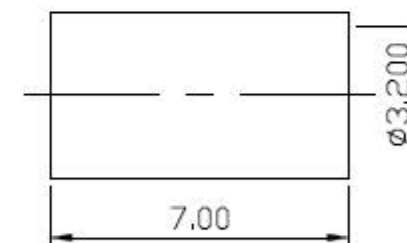
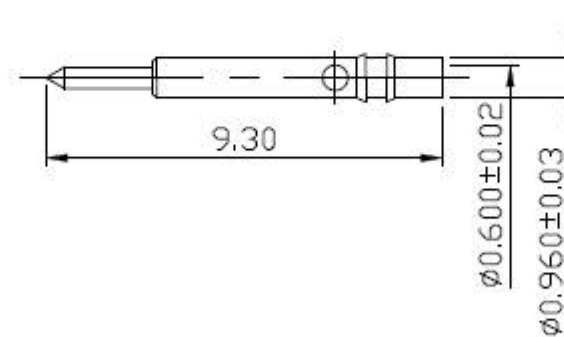
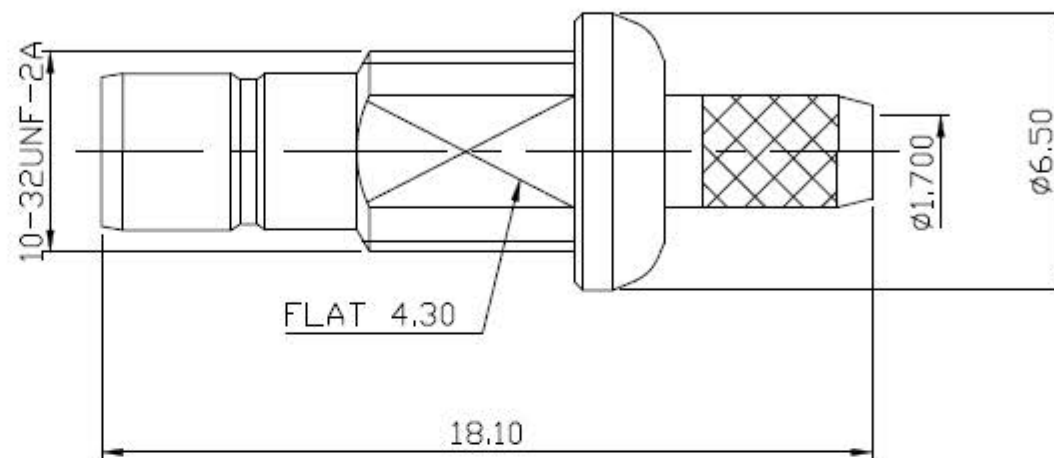


Impedance: 50ohm  
 Frequency Range: 0~4 GHZ  
 VSWR: 1.3 MAX  
 Voltage Rating: 250 volts rms max  
 Insulation Resistance:  
 1000 meg ohm min



**MATERIAL :** BODY-BRASS  
 CONTACT-BRASS  
 INSULATOR-TEFLON  
 LOCK WASHER-BRASS  
 NUT-BRASS  
 SLEEVE-BRASS  
 FURRULE-BRASS

**FINISH :** BODY-GOLD PLATING OVER NICKEL  
 CONTACT-GOLD PLATING OVER NICKEL  
 LOCK WASHER-GOLD PLATING OVER NICKEL  
 NUT-GOLD PLATING OVER NICKEL  
 SLEEVE-GOLD PLATING OVER NICKEL  
 FURRULE-GOLD PLATING OVER NICKEL

DIMENSIONS ARE IN MILLIMETERS TOLERANCE			<b>SCHMID-M</b>	
· × ±0.5	ANGLE ±3°	SCALE 5:1	TITLE Straight Bulkhead Jack Crimp for RG174u, 188A/u, 316u	
· × × ±0.1		REV A-1		
· × × × ±0.05		DATE 91.02.27	DRAWING NO SMB-1205-TGG	
DRAWN	APPROVAL	DATE		