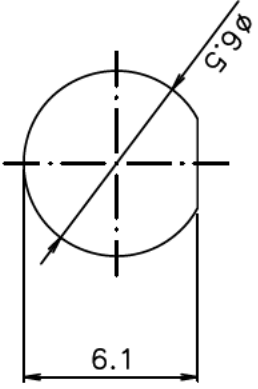
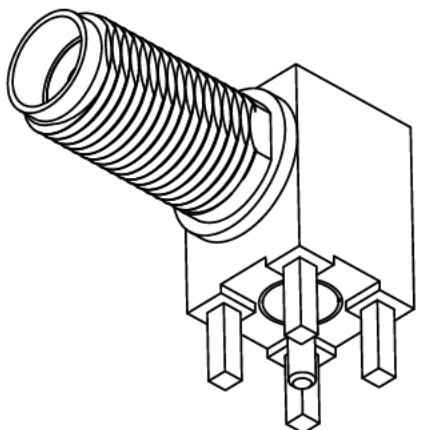
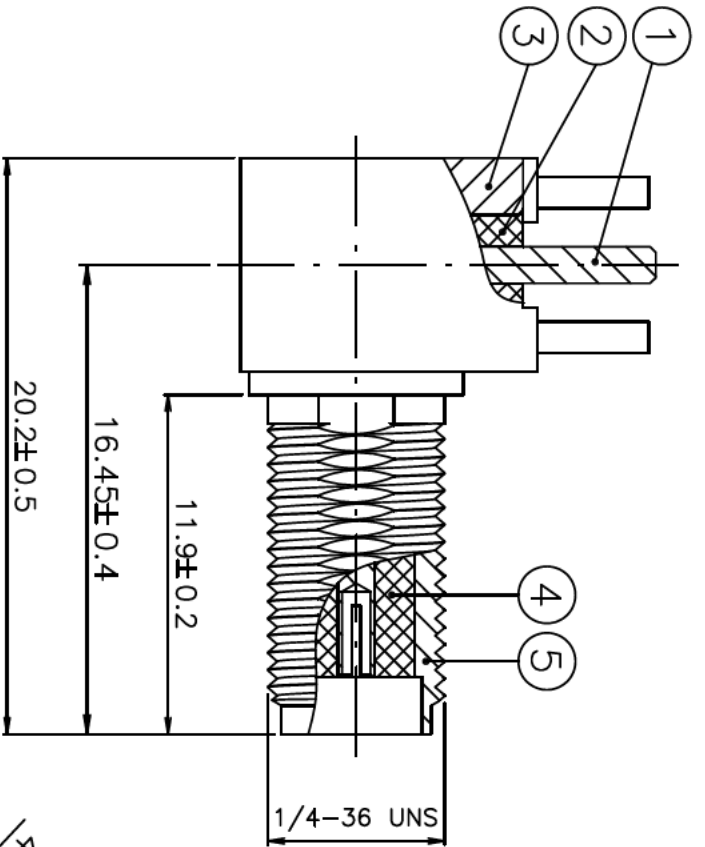
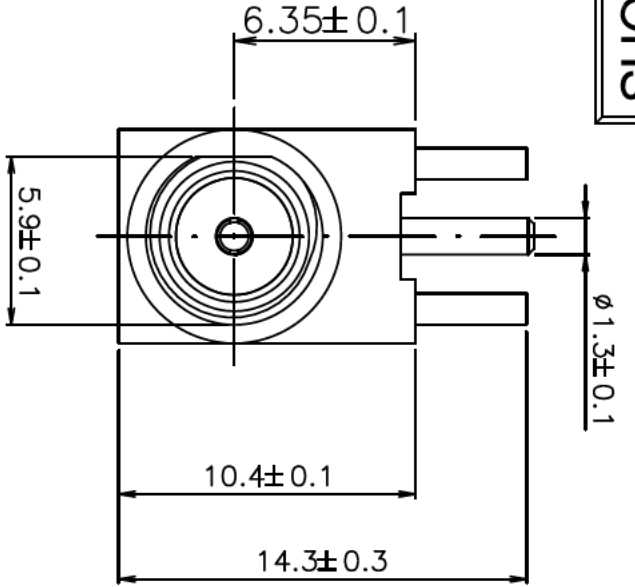
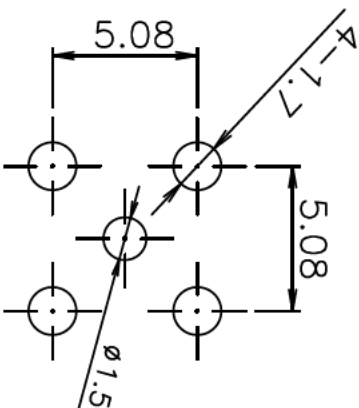
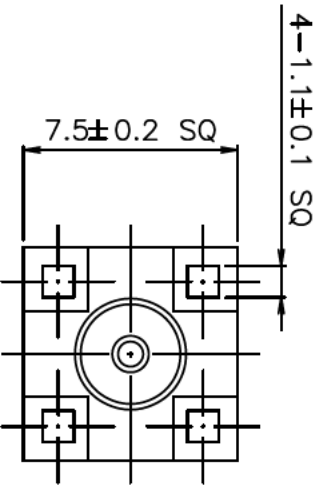


ROHS

NOTE: SMA FEMALE RIGHT ANGLE TO PCB



PANEL MOUNTING



P.C.B LAYOUT

5	brass	gold
4	teflon	
3	brass	gold
2	teflon	
1	brass	gold
	Material	Plated

SCHMID-M

APPROVED		GLAZE	DRAWING	DESIGN	TITLE	ASMA Jack, Right Angle 50 Ohm	UNITS	mm	SCALE	4:1
X.H		X.H	X.H	X.H	PART NAME	SMA-5202m-TGG				
X.H		X.H	X.H	X.H	DRAWING NO					
X.H		X.H	X.H	X.H	GLAZE					
X.H		X.H	X.H	X.H	MATERIAL					
X.H		X.H	X.H	X.H	SYE					
X.H		X.H	X.H	X.H	DATE	2017/01/20				
X.H		X.H	X.H	X.H	REV.	A				