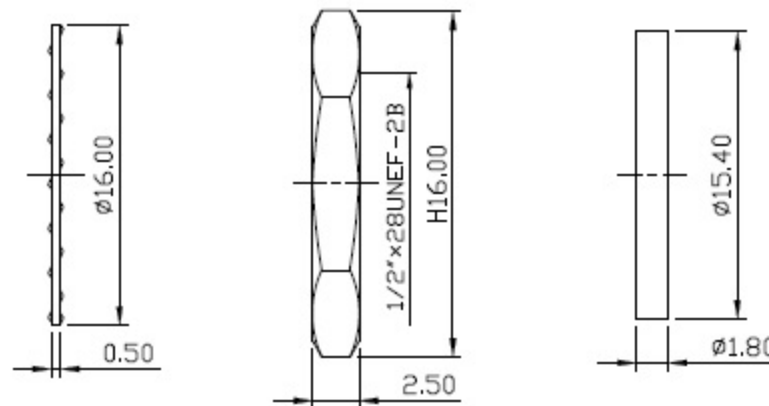


MOUNT HOLE



Impedance:50 ohm
 Frequency Range: 0 to 6.0 GHZ
 VSWR: 1:1.2 MAX
 Insertion Loss:0.4 dB MAX
 Dielectric withstanding Voltage:
 500 V Rms min at sea level

MATERIAL : BODY-BRASS
 CONTACT-BE CU
 INSULATOR-TEFLON
 SLEEVE-BRASS
 LOCK WASHER-BRASS
 NUT-BRASS
 O-RING-SI RUBBER
 FINISH : BODY-NICKEL PLATING
 SLEEVE-NICKEL PLATING
 CONTACT-GOLD PLATING OVER NICKEL
 LOCK WASHER-NICKEL PLATING
 NUT-NICKEL PLATING

DIMENSIONS ARE IN MILLIMETERS TOLERANCE			SCALE 3:1 REV A-1	TITLE TNC Jack Bulkhead to MMCX Hermetically sealed Adapter
. x ±0.5	ANGLE ±3°			
. x x ±0.1			FILE NO	
. x x x ±0.05				
DRAWN		DATE	97.05.20	
APPROVAL		DATE		

SCHMID-M