
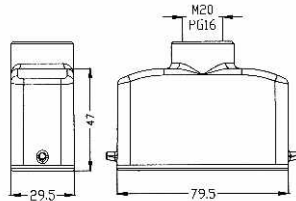

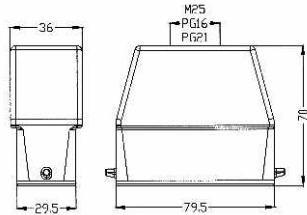

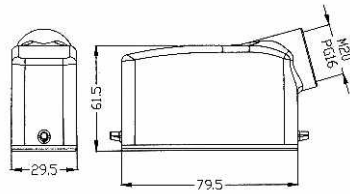

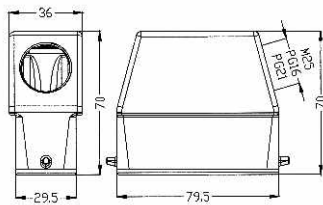


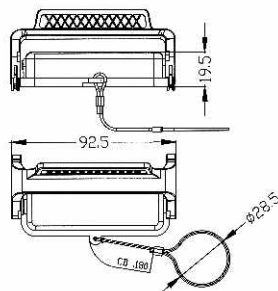


SO-H16A Hood & Housing


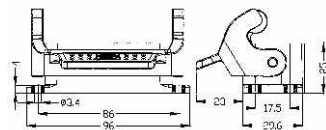

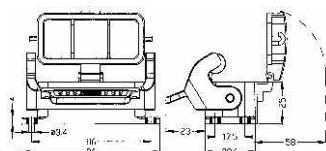
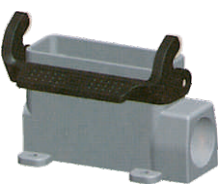
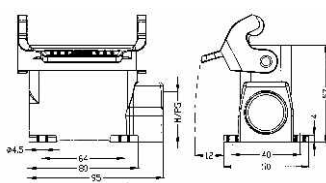
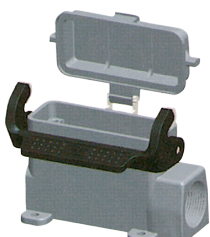
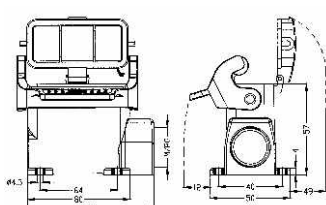
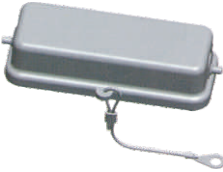

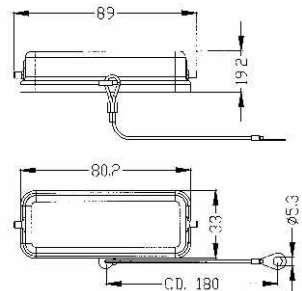
Size 16A IP65

	Thread	Type	Drawing(mm)
<p>Hoods</p> 	M20 PG16	SO-H16A-TK-2B-M20 SO-H16A-TK-2B-PG16	
<p>Top entry</p>			
<p>Hoods</p> 	M25 PG16 PG21	SO-H16A-TKH-2B-M25 SO-H16A-TKH-2B-PG16 SO-H16A-TKH-2B-PG21	
<p>Top entry High structure</p>			
<p>Hoods</p> 	M20 PG16	SO-H16A-SK-2B-M20 SO-H16A-SK-2B-PG16	
<p>Side entry</p>			
<p>Hoods</p> 	M25 PG16 PG21	SO-H16A-SKH-2B-M25 SO-H16A-SKH-2B-PG16 SO-H16A-SKH-2B-PG21	
<p>Side entry High structure</p>			
<p>Protective cover</p> 		<p>Metal cover</p> <p>SO-H16A-CV-1L/1S SO-H16A-CV-1L/2S</p>	

H-A

SO-H16A Hood & Housing

Size 16A IP65

	Thread	Type	Drawing(mm)
<p>Housings</p> 	...	SO-H16A-ST-1L	
<p>Bulkhead mounting</p>			
<p>Housings</p> 	...	SO-H16A-ST-CV-1L	
<p>Bulkhead mounting</p>			
<p>Hoods</p> 	<p>M20 2M20 M25 2M25 PG16 2PG16 PG21</p>	<p>SO-H16A-SG-1L-M20 SO-H16A-SG-1L-2M20 SO-H16A-SG-1L-M25 SO-H16A-SG-1L-2M25 SO-H16A-SG-1L-PG16 SO-H16A-SG-1L-2PG16 SO-H16A-SG-1L-PG21</p>	
<p>Surface mounting</p>			
<p>Housings</p> 	<p>M20 2M20 M25 2M25 PG16 2PG16 PG21</p>	<p>SO-H16A-SG-CV-1L-M20 SO-H16A-SG-CV-1L-2M20 SO-H16A-SG-CV-1L-M25 SO-H16A-SG-CV-1L-2M25 SO-H16A-SG-CV-1L-PG16 SO-H16A-SG-CV-1L-2PG16 SO-H16A-SG-CV-1L-PG21</p>	
<p>Surface mounting</p>			
<p>Protective cover</p> 		<p>Metal cover SO-H16A-CV-1S SO-H16A-CV-2S</p>	

H-A