

Parts of the heavy duty connector

1. Cable gland
 Nylon or brass nickel plated
 Universal cable glands
 Other cable gland

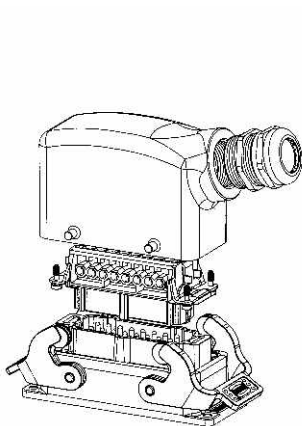
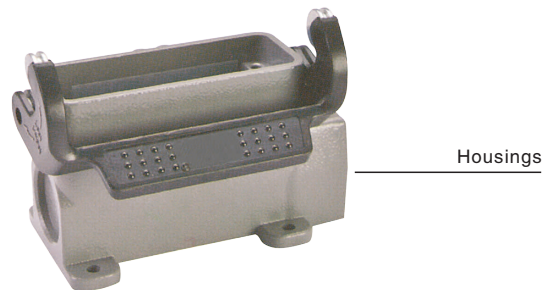
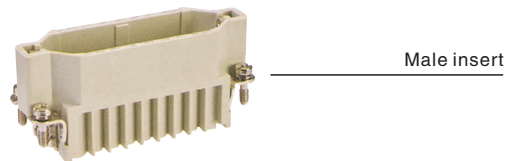
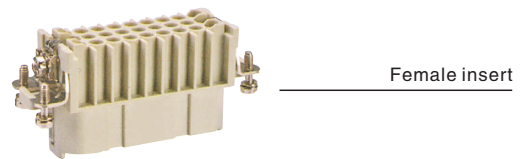
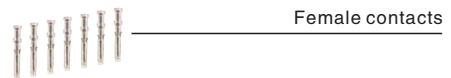
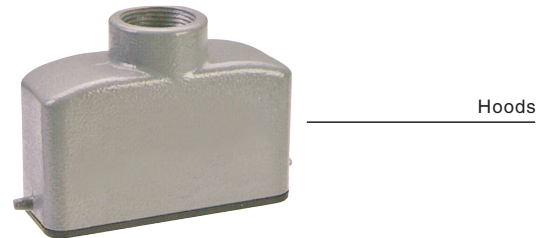
2. Hoods
 Low or high construction
 Top or side cable entry
 2 bolts or 4 bolts or 2 locking levers

3. Male insert or Female insert
 Screw terminal
 Crimp terminal
 Cage-clamp terminal

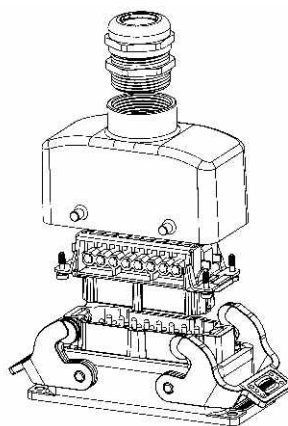
4. Crimp contacts (only for crimp connection insert)
 Golden plated or silver plated
 Rated current: 5A, 10A, 16A, 40A

5. Housings
 Bulkhead mounting or surface mounting or cable to cable
 Low or high construction
 1 or 2 locking levers or 4 bolts
 With or without thermoplastic/metal covers

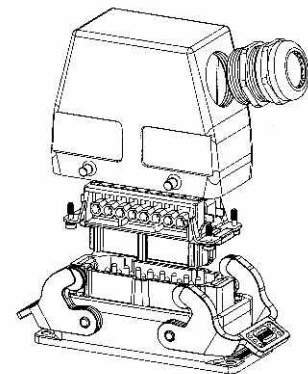
6. Accessories
 Protective covers
 Code and guide pins for coding
 Tools



Bulkhead mounting
 Side entry



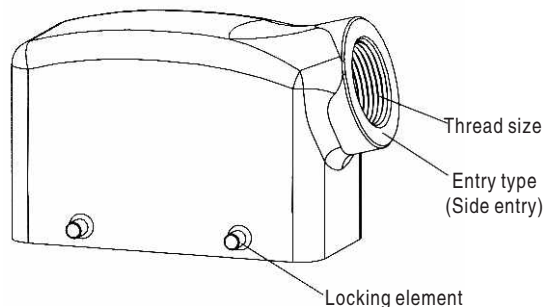
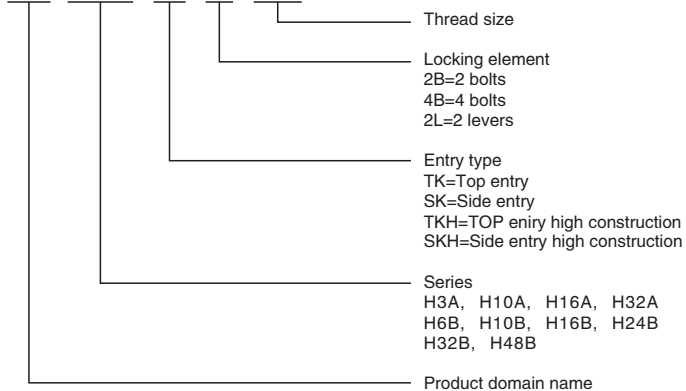
Bulkhead mounting
 Top entry



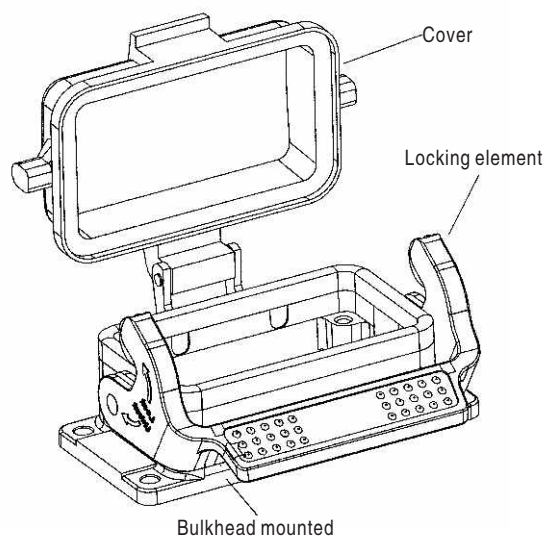
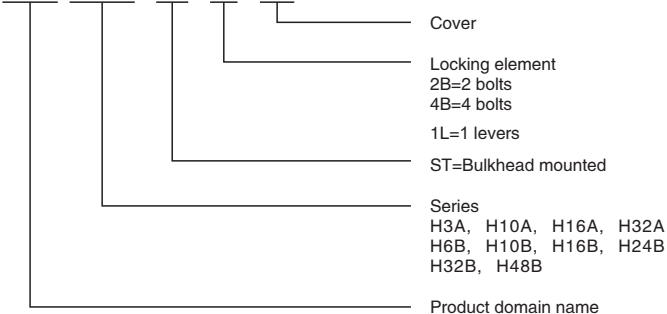
Bulkhead mounting
 High structure, Side entry

Explain for the part number

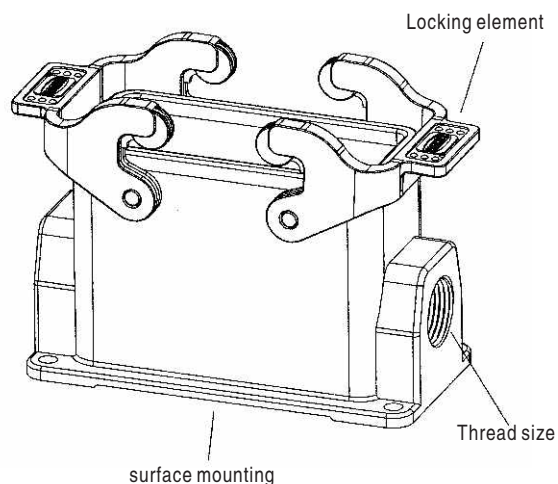
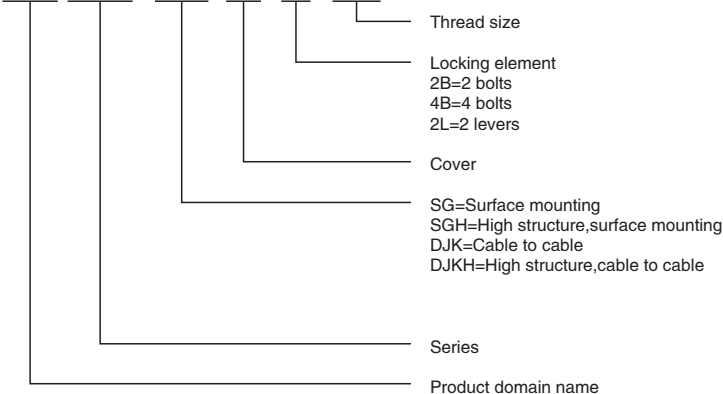
Hood SO-H16B-TK-4B-M25



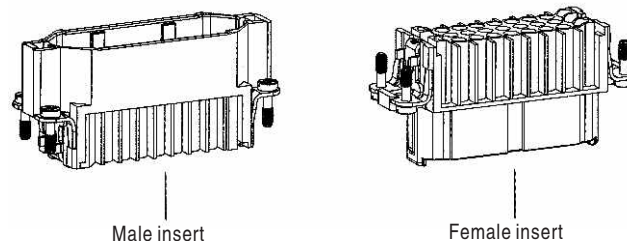
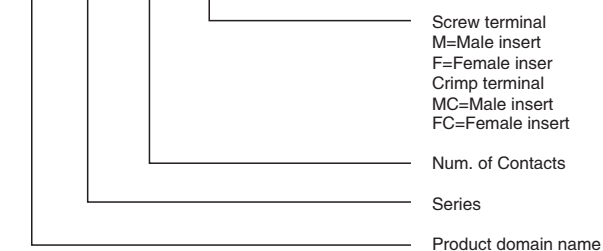
Housing SO-H16B-ST-4B-CV



SO-H16B-SGH-CV-2L-M25



Insert SO-HD-025-MC



Hoods/housings connector insert protection

The connector's housing, sealing and locking mechanism protect the connection from external influences such as mechanical shocks, foreign bodies, humidity, dust, water or other fluids such as cleansing and cooling agents, oils, etc., standards that categorize enclosures according to foreign body and water protection. The following table shows the different degrees of protection.

