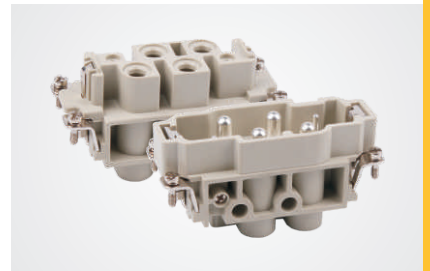




PRODUCTS CATALOGUE



 Heavy Duty Connector 

ENERGY IS OUR JOB

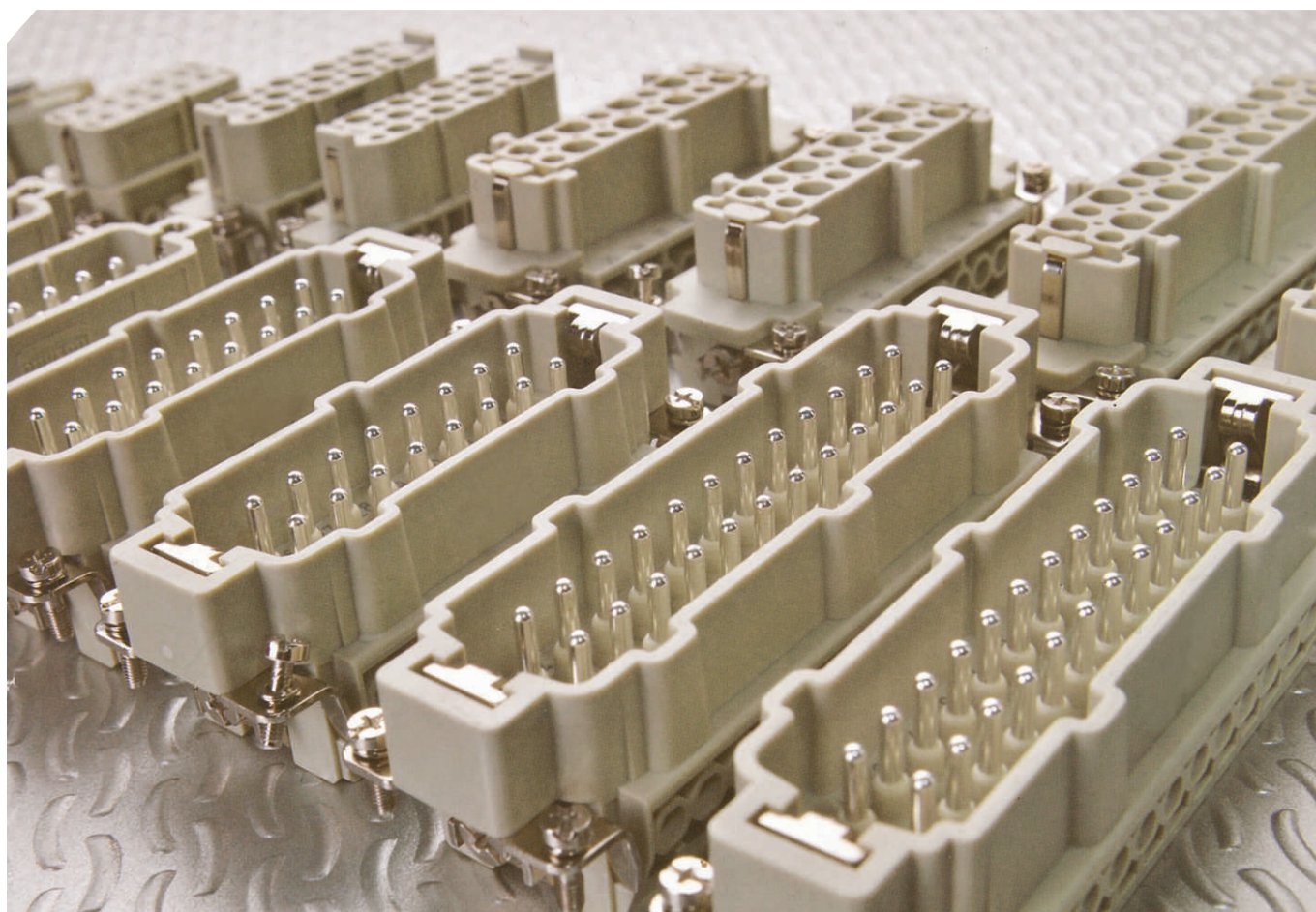


SMICO

Product Overview

Heavy-duty connectors are extensively used in equipment that requires electrical and signal connections, such as mold, machinery, construction machinery, textile machinery, transportation technology, electric energy, electric locomotives and so on various need electrical and petrochemical electrical equipment. Adopts the most advanced concepts and processes in the global industrial connector industry during the product design and manufacturing process, with a high-quality professional knowledge Backbone personnel; which enables it to provide its clients with high-quality product. At present, the company Product have Screw terminal, Spring terminal, Crimp terminal and so on product series, to meet electrical or signal connecting requirements in different fields and for different purposes.

INSERTS



Parts of the heavy duty connector

1. Cable gland
Nylon or brass nickel plated
Universal cable glands
Other cable gland

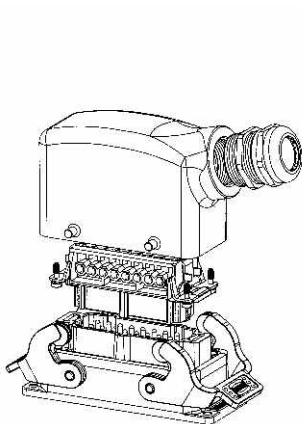
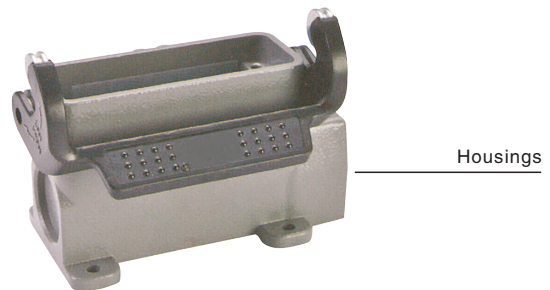
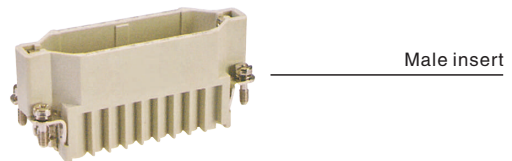
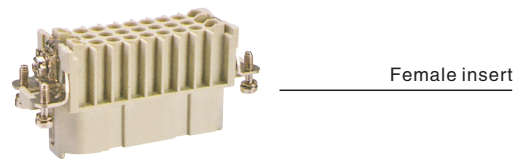
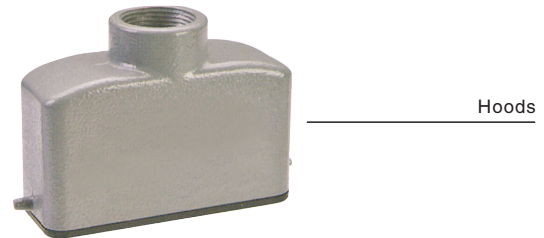
2. Hoods
Low or high construction
Top or side cable entry
2 bolts or 4 bolts or 2 locking levers

3. Male insert or Female insert
Screw terminal
Crimp terminal
Cage-clamp terminal

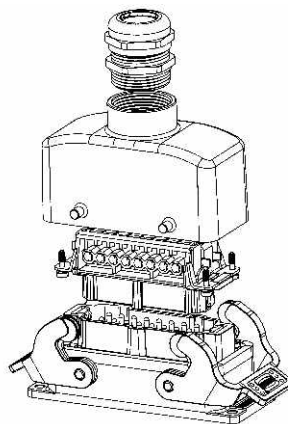
4. Crimp contacts (only for crimp connection insert)
Golden plated or silver plated
Rated current: 5A, 10A, 16A, 40A

5. Housings
Bulkhead mounting or surface mounting or cable to cable
Low or high construction
1 or 2 locking levers or 4 bolts
With or without thermoplastic/metal covers

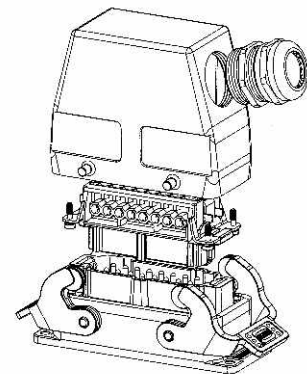
6. Accessories
Protective covers
Code and guide pins for coding
Tools



Bulkhead mounting
Side entry



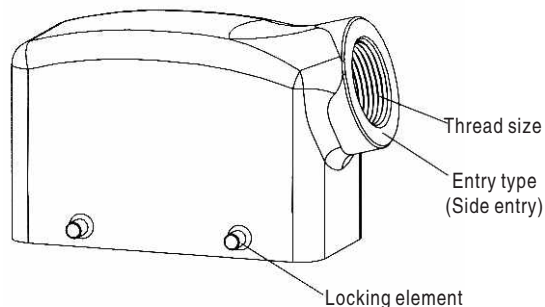
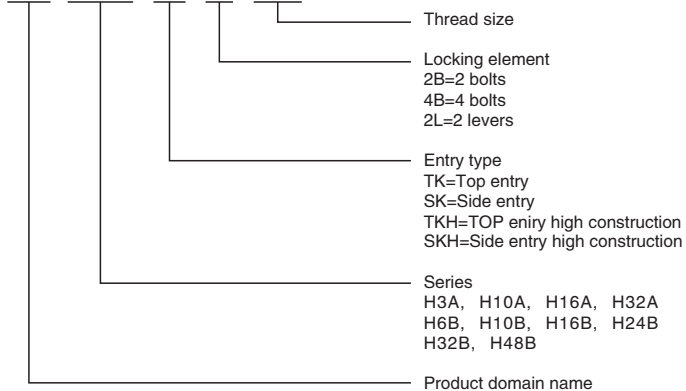
Bulkhead mounting
Top entry



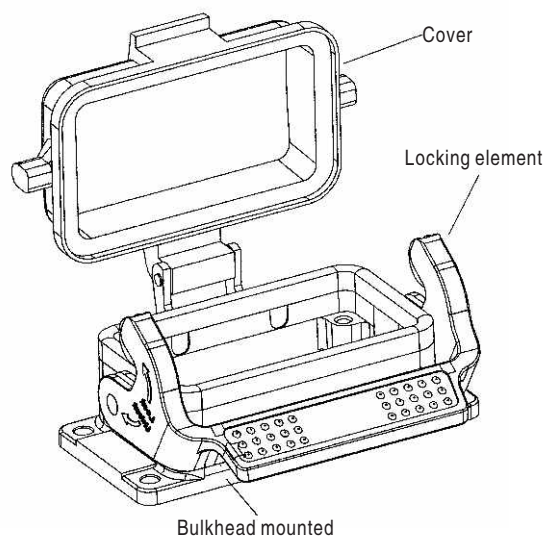
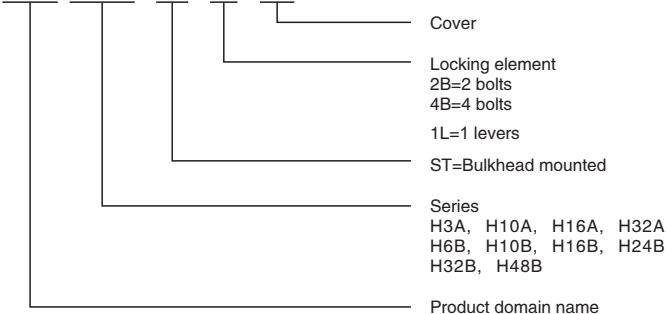
Bulkhead mounting
High structure, Side entry

Explain for the part number

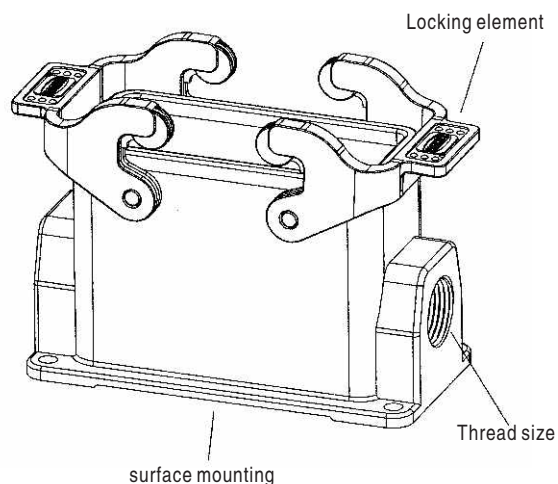
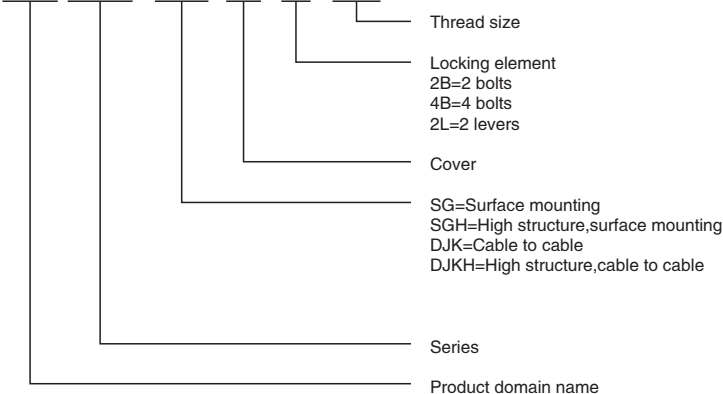
Hood SO-H16B-TK-4B-M25



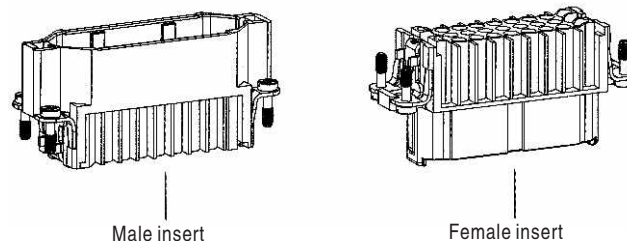
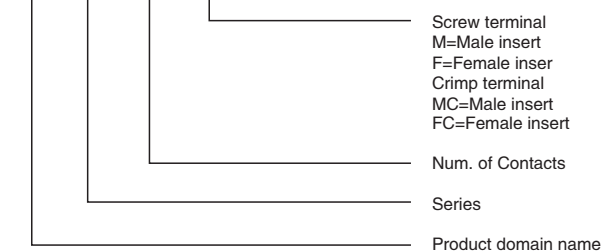
Housing SO-H16B-ST-4B-CV



SO-H16B-SGH-CV-2L-M25

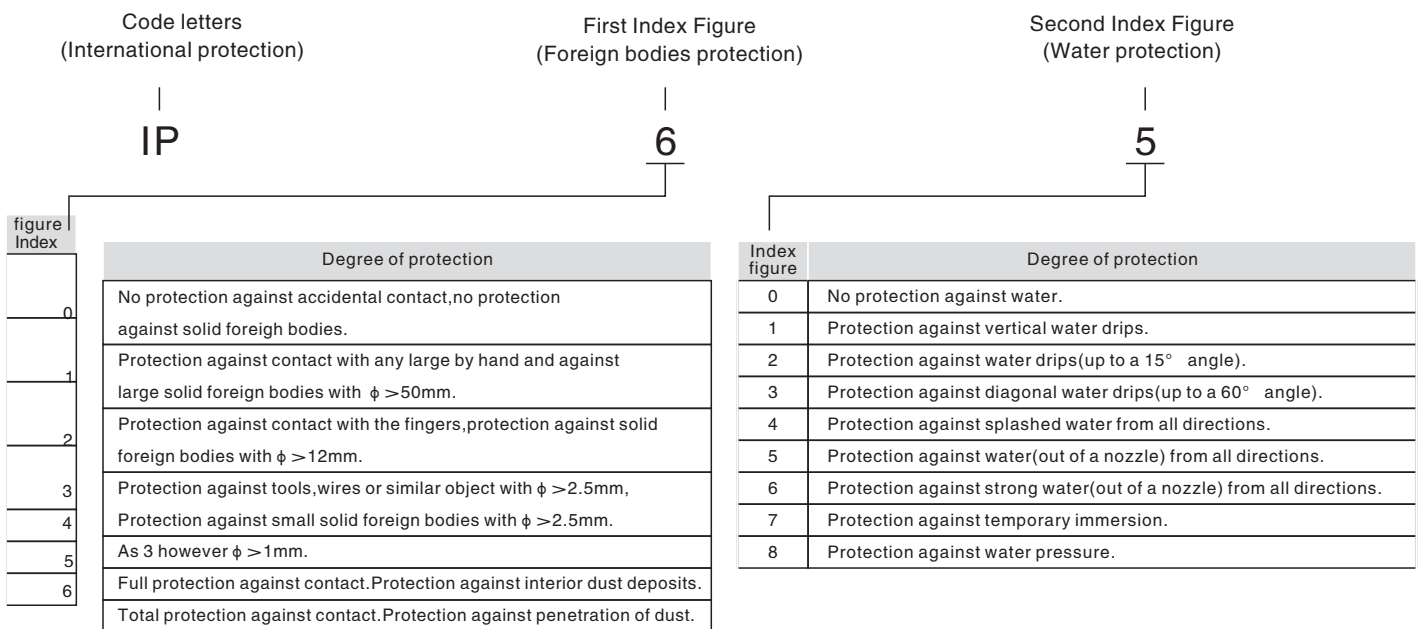


Insert SO-HD-025-MC



Hoods/housings connector insert protection

The connector's housing, sealing and locking mechanism protect the connection from external influences such as mechanical shocks, foreign bodies, humidity, dust, water or other fluids such as cleansing and cooling agents, oils, etc., standards that categorize enclosures according to foreign body and water protection. The following table shows the different degrees of protection.



Contents

Inserts

SO-HA	HA	Series(Screw terminal).....	06-08
SO-HD	HD	Series(Crimp terminal).....	09-12
SO-HDD	HDD	Series(Crimp terminal).....	13-15
SO-HE	HE	Series(Screw terminal).....	16-18
SO-HEE	HEE	Series(Crimp terminal).....	19-21
SO-HSB	HSB	Series(Screw terminal).....	22-23
SO-HQ	HQ	Series(Crimp terminal).....	24-29
SO-HK	HK	Series(Screw, Crimp terminal)	30-35
SO-HM	HM	Series(Screw,Crimp ,Cage Clamp terminal).....	36-40

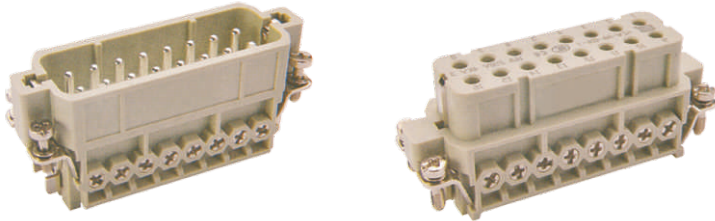
Hood&Housing

SO-H3A	H3A	Series.....	41-42
SO-H10A	H10A	Series.....	43-44
SO-H16A	H16A	Series.....	45-46
SO-H32A	H32A	Series.....	47-48
SO-H6B	H6B	Series.....	49-51
SO-H10B	H10B	Series.....	52-56
SO-H16B	H16B	Series.....	57-61
SO-H24B	H24B	Series.....	62-66
SO-H32B	H32B	Series.....	67-68
SO-H48B	H48B	Series.....	69

Accessories

Crimp contact & Tool.....	70
Cable gland.....	71
Code pin.....	72

HA | Technical characteristics



Current carrying capacity

The current carrying is limited by maximum temperature of materials for inserts and contacts including terminals

Specifications

Inserts

Number of contacts

DIN EN 60 664

DIN EN 61 984

3,4,10,16,32(2x16)+PE

SO-HA-003/004

Working current

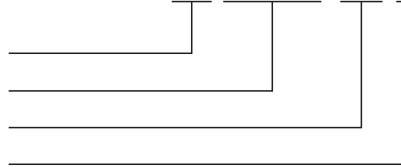
(See current carrying capacity)

Working voltage

Rated impulse voltage

Pollution degree

10A 230/400 V 4 KV 3



SO-HA-010/016

Working current

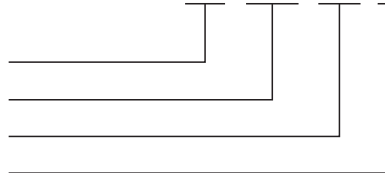
(See current carrying capacity)

Working voltage

Rated impulse voltage

Pollution degree

16 A 250V 4 KV 3



Insulation resistance

$\geq 10^{10} \Omega$

Material

Polycarbonate

Flammability acc.to(UL94)

VO

Limiting temperatures

-40°C ~ +125°C

Mechanical working life (mating cycles)

≥ 500

Working voltage acc.to UL/CSA

600V

Contacts

Material

Copper alloy

Surface

Silver plated

Contact resistance

$\leq 1m\Omega$

Terminal

Screw terminal

Wire gauge

1.0-2.5mm²(AWG18-14)

Screw terminal tightening

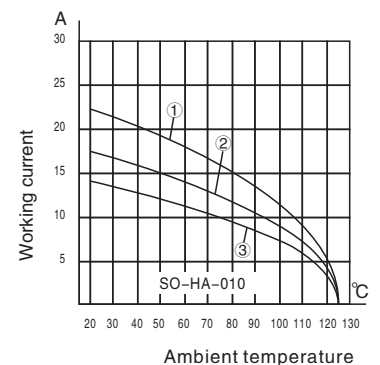
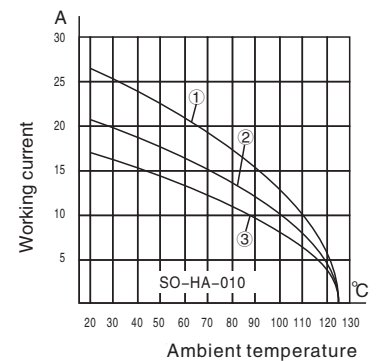
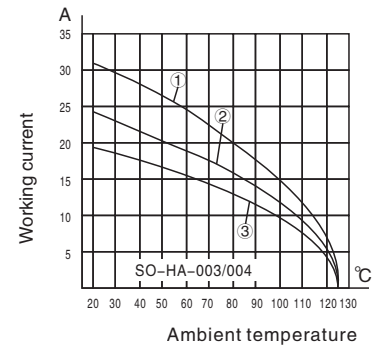
(HA-003/004) 0.25Nm

(HA-010/016) 0.5Nm

DIN IEC 60512-5

Control and test procedures

according to DIN IEC 60512-5



① wire gauge: 2.5mm²
 ② wire gauge: 1.5mm²
 ③ wire gauge: 1.0mm²

SO-HA

Number of contacts

3 + 

Insert 230/400V 10A



SO-HA-003-M

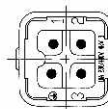
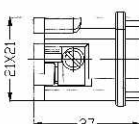
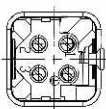


SO-HA-003-F

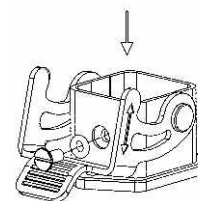
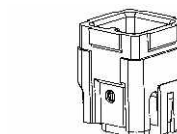
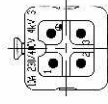
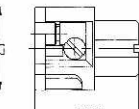
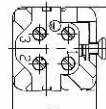
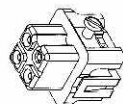
TYPE

Drawing(Dimensions in mm)

Male insert (M)



Female insert (F)



Mounting example

Note: Suit hood/housing: Size H3A

Hood/Housing detail on "Hood/Housing" section

HA

SO-HA

Number of contacts

4 + 

Insert 230/400V 10A



SO-HA-004-M

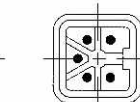
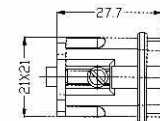
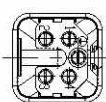
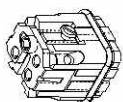


SO-HA-004-F

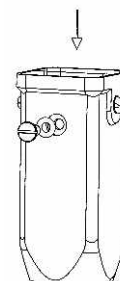
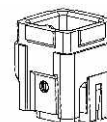
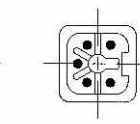
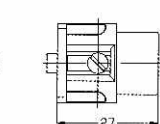
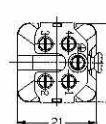
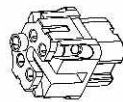
TYPE

Drawing(Dimensions in mm)

Male insert (M)



Female insert (F)



Mounting example

Note: Suit hood/housing: Size H3A

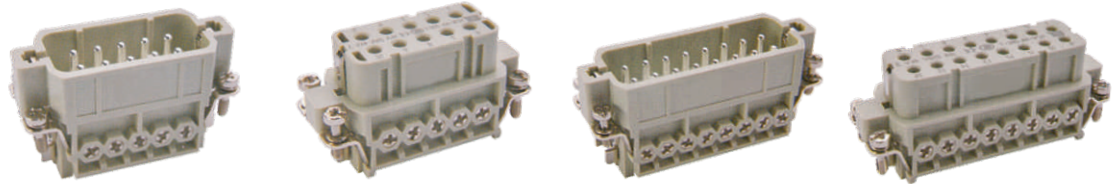
Hood/Housing detail on "Hood/Housing" section

SO-HA

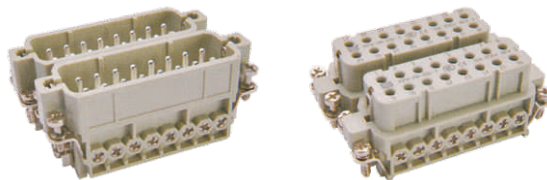
Number of contacts

Insert 250V 16A

10,16,32 +



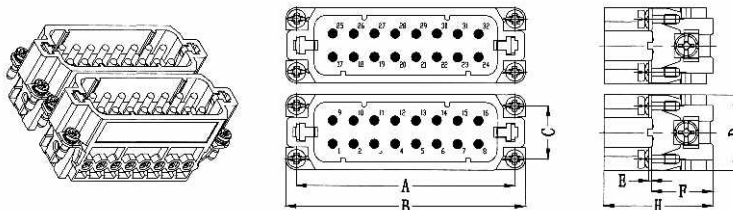
TYPE SO-HA-010-M SO-HA-010-F SO-HA-016-M SO-HA-016-F



TYPE SO-HA-032-M SO-HA-032-F

Drawing(Dimensions in mm)

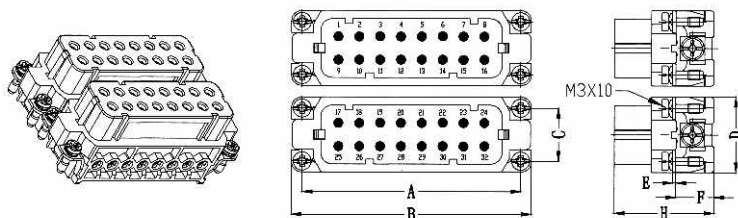
Male insert (M)



Male insert(M)

number of contacts	A	B	C	D	E	F	H
SO-HA-010	49.5	56	16	22.8	1	18.4	33
SO-HA-016	66	72.4	16	22.8	1	18.4	33
SO-HA-032	66	72.4	16	22.8	1	18.4	33

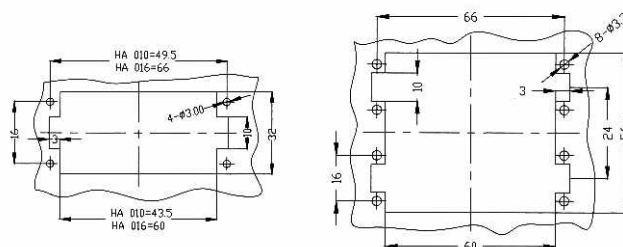
Female insert (F)



Female insert(F)

number of contacts	A	B	C	D	E	F	H
SO-HA-010	49.5	56.5	16	22.8	1	11.5	30
SO-HA-016	66	72.4	16	22.8	1	11.5	30
SO-HA-032	66	72.4	16	22.8	1	11.5	30

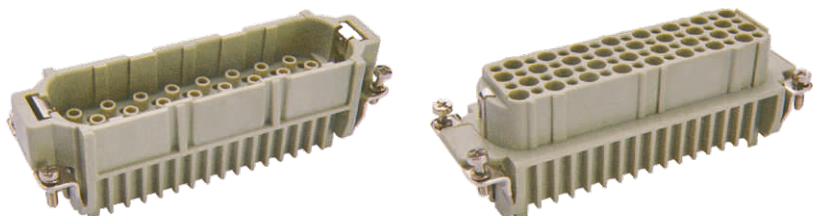
Panel cut out for inserts
for use without hoods/housings



Note: Suit hood/housing: Size H10A,H16A,

Hood/Housing detail on "Hood/Housing" section

HD | Technical characteristics



Current carrying capacity

The current carrying is limited by maximum temperature of materials for inserts and contacts including terminals

DIN IEC 60512-5 Control and test procedures according to DIN IEC 60512-5

Specifications

Inserts
Number of contacts

DIN EN 60 664
DIN EN 61 984
7, 15, 25, 40, 50, 64, 80, 128,
50(2x25), 80(2x40),
128(2x64)+PE

Working current
(See current carrying capacity)

Working voltage

Rated impulse voltage

Pollution degree

Pollution degree 2 also

Insulation resistance

Material

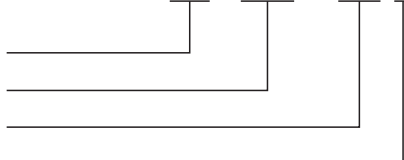
Flammability acc.to(UL94)

Limiting temperatures

Mechanical working life (mating cycles)

Working voltage acc.to UL/CSA

10A 250V 4 KV 3



10 A 230/400V 4KV 2

$\geq 10^{10} \Omega$

Polycarbonate

VO

-40°C ~ +125°C

≥ 500

600V

Contacts

Material

Surface

Contact resistance

Terminal

Wire gauge

Copper alloy

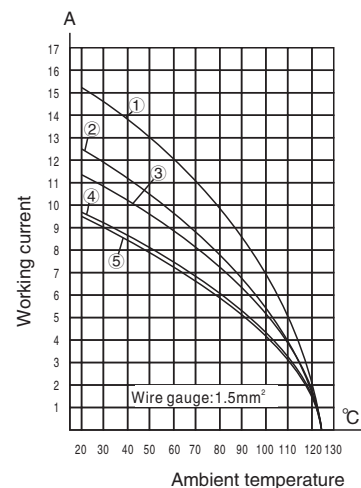
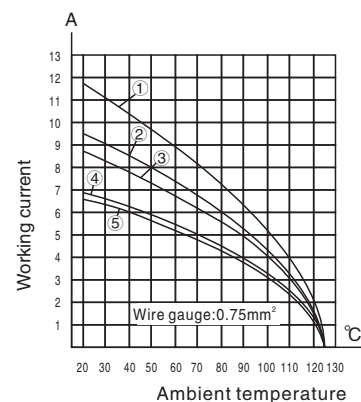
Gold plated

Silver plated

$\leq 3m \Omega$

Crimp terminal

0.14-2.5mm²(AWG26-14)



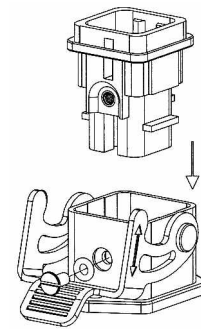
- ① SO-HD-007 ④ SO-HD-040
- ② SO-HD-015 ⑤ SO-HD-064
- ③ SO-HD-025

SO-HD

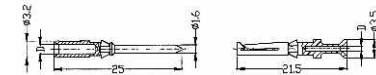
Number of contacts

7 +

Insert 250V 10A



Mounting example



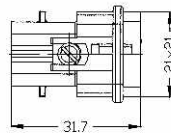
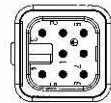
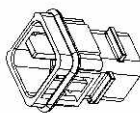
TYPE

SO-HD-007-MC

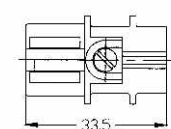
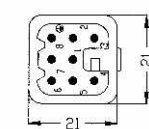
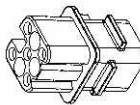
SO-HD-007-FC

Drawing(Dimensions in mm)

Male insert (MC)



Female insert (FC)



Crimp contacts	Wire gauge		D	Stripping length
Gold plated	0.14-0.37mm ²	AWG 26-22	0.90mm	8mm
	0.5mm ²	AWG 20	1.10mm	8mm
Silver plated	0.75mm ²	AWG 18	1.30mm	8mm
	1.0mm ²	AWG 18	1.45mm	8mm
	1.5mm ²	AWG 16	1.75mm	8mm
	2.5mm ²	AWG 14	2.25mm	6mm

Note: Crimp termina of 10A should order contacts pins separately,detail please refer to page 70

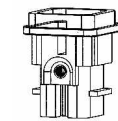
HD

SO-HD

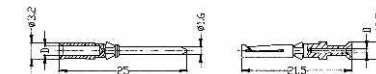
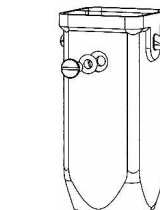
Number of contacts

8

Insert -120V/~50V 10A



Mounting example



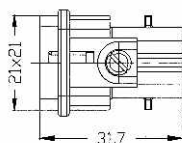
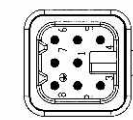
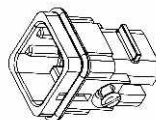
TYPE

SO-HD-008-MC

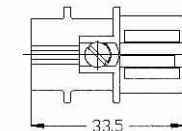
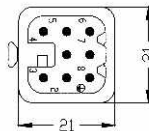
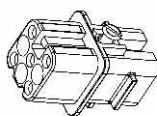
SO-HD-008-FC

Drawing(Dimensions in mm)

Male insert (MC)



Female insert (FC)



Crimp contacts	Wire gauge		D	Stripping length
Gold plated	0.14-0.37mm ²	AWG 26-22	0.90mm	8mm
	0.5mm ²	AWG 20	1.10mm	8mm
Silver plated	0.75mm ²	AWG 18	1.30mm	8mm
	1.0mm ²	AWG 18	1.45mm	8mm
	1.5mm ²	AWG 16	1.75mm	8mm
	2.5mm ²	AWG 14	2.25mm	6mm

Note: Crimp termina of 10A should order contacts pins separately,detail please refer to page 70

Note: Suit hood/housing: Size H3A

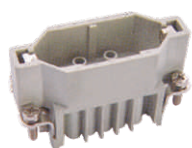
Hood/Housing detail on "Hood/Housing" section

SO-HD

Number of contacts

Insert 250V 10A

15,25,40,64 + \oplus



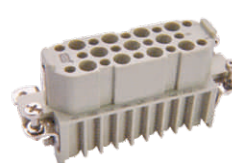
SO-HD-015-MC



SO-HD-015-FC



SO-HD-025-MC

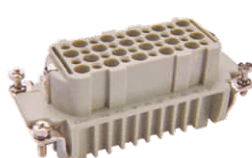


SO-HD-025-FC

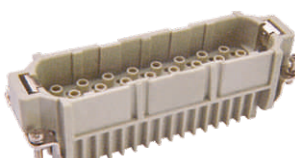
TYPE



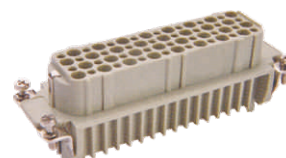
SO-HD-040-MC



SO-HD-040-FC



SO-HD-064-MC



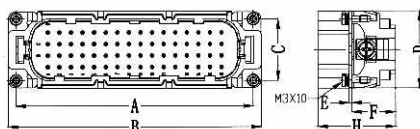
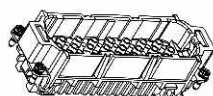
SO-HD-064-FC

TYPE

HD

Drawing(Dimensions in mm)

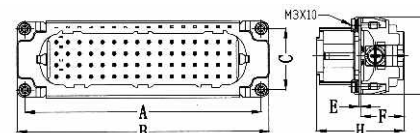
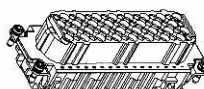
Male insert (MC)



Male insert(M)

number of contacts	A	B	C	D	E	F	H
SO-HD-015	49.5	56.5	16	22.8	1	14	33
SO-HD-025	66	73	16	22.8	1.2	14.8	34
SO-HD-040	77.5	84.5	27	34	1.2	19	34
SO-HD-064	104	111	27	34	1.2	19	36

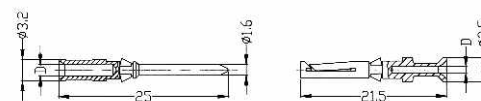
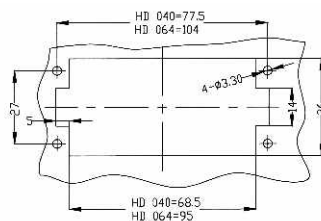
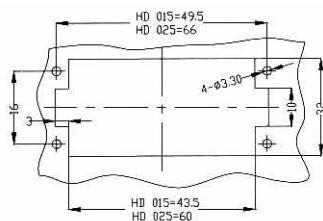
Female insert (FC)



Female insert(F)

number of contacts	A	B	C	D	E	F	H
SO-HD-015	49.5	56.5	16	22.8	1	4.5	33.2
SO-HD-025	66	73	16	22.8	1	5.5	34
SO-HD-040	77.5	84.5	27	34	1.2	6.8	37.2
SO-HD-064	104	111	27	34	1.2	9	38.5

Panel cut out for inserts
for use without hoods/housings



Crimp contacts	Wire gauge	D	Stripping length
Gold plated	0.14-0.37mm ² AWG 26-22	0.90mm	8mm
	0.5mm ² AWG 20	1.10mm	8mm
Silver plated	0.75mm ² AWG 18	1.30mm	8mm
	1.0mm ² AWG 18	1.45mm	8mm
	1.5mm ² AWG 16	1.75mm	8mm
	2.5mm ² AWG 14	2.25mm	6mm

Note: Suit hood/housing: Size H10A,H16A,

H16B,H24B

Hood/Housing detail on "Hood/Housing" section

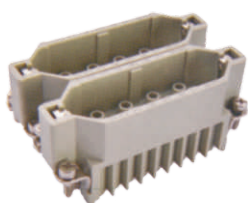
Note: Crimp termina of 10A should order contacts pins separately,detail please refer to page 70

SO-HD

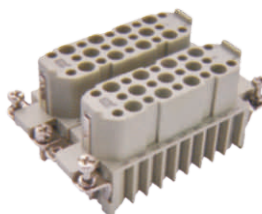
Number of contacts

Insert 250V 10A

50,80,128 +



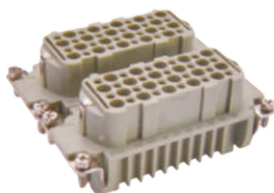
SO-HD-050-MC



SO-HD-050-FC



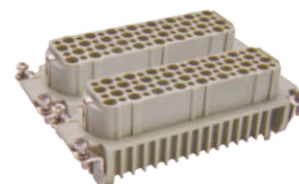
SO-HD-080-MC



SO-HD-080-FC



SO-HD-128-MC



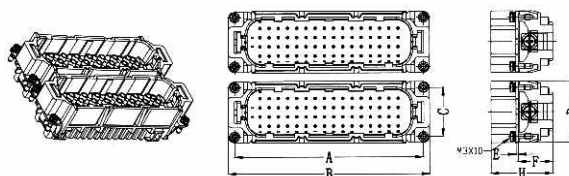
SO-HD-128-FC

TYPE

TYPE

Drawing(Dimensions in mm)

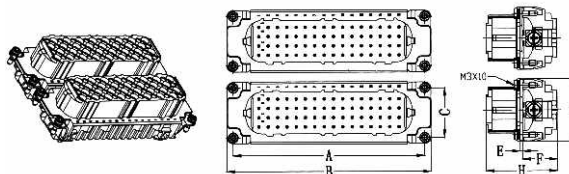
Male insert (MC)



Male insert(M)

number of contacts	A	B	C	D	E	F	H
SO-HD-050	66	73	16	22.8	1	14.8	34
SO-HD-080	77.5	84.5	27	34	1.2	19	37
SO-HD-128	104	111	27	34	1.2	19	36

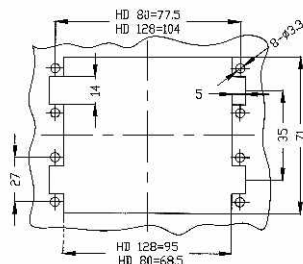
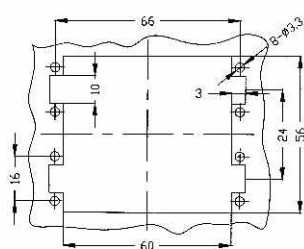
Female insert (FC)



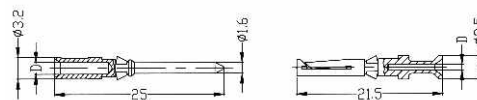
Female insert(F)

number of contacts	A	B	C	D	E	F	H
SO-HD-080	66	73	16	2.8	1	15.5	34
SO-HD-080	77.5	84.5	27	34	1.2	16.8	37.2
SO-HD-128	104	111	27	34	1.2	19	38.5

Panel cut out for inserts
for use without hoods/housings



Note: Suit hood/housing: Size H32A,H32B ,H48B
Hood/Housing detail on "Hood/Housing" section

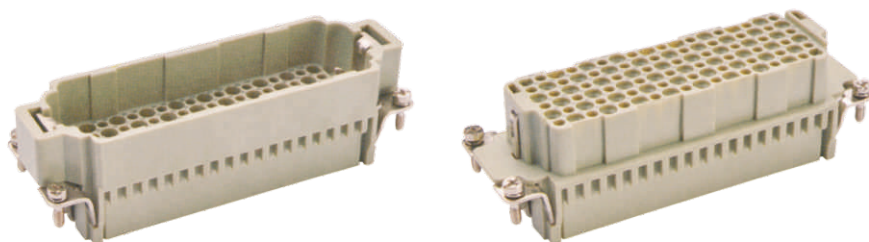


Crimp contacts	Wire gauge	D	Stripping length
Gold plated	0.14-0.37mm ²	AWG 26-22	0.90mm
	0.5mm ²	AWG 20	1.10mm
	0.75mm ²	AWG 18	1.30mm
Silver plated	1.0mm ²	AWG 18	1.45mm
	1.5mm ²	AWG 16	1.75mm
	2.5mm ²	AWG 14	2.25mm

Note: Crimp termina of 10A should order contacts pins separately,detail please refer to page 70

HDD

Technical characteristics



Current carrying capacity

The current carrying is limited by maximum temperature of materials for inserts and contacts including terminals

DIN IEC 60512-5 Control and test procedures according to DIN IEC 60512-5

Specifications

DIN EN 60 664
DIN EN 61 984

Inserts

Number of contacts

24, 42, 72, 108, 144, 216
144(2x72), 216(2x108)+PE

Working current
(See current carrying capacity)

10A 250V 4KV 3

Working voltage

Rated impulse voltage

Pollution degree

Pollution degree 2 also

Insulation resistance

Material

Flammability acc.to(UL94)

Limiting temperatures

Mechanical working life (mating cycles)

Working voltage acc.to UL/CSA

10 A 230/400V 4KV 2

$\geq 10^{10} \Omega$

Polycarbonate

VO

-40°C ~ +125°C

≥ 500

600V

Contacts

Material

Surface

Copper alloy

Gold plated

Silver plated

Contact resistance

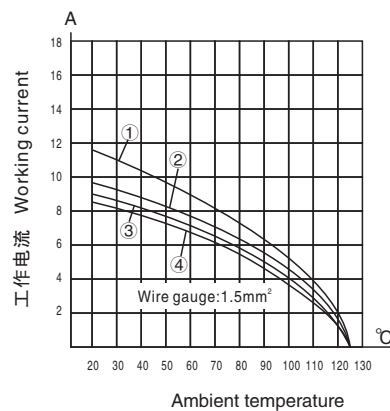
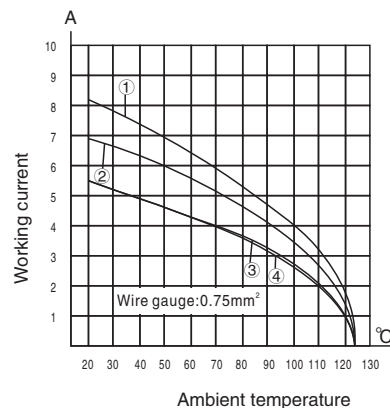
$\leq 3m \Omega$

Terminal

Crimp terminal

Wire gauge

0.14-2.5mm²(AWG26-14)



① SO-HDD-024 ③ SO-HDD-072
② SO-HDD-042 ④ SO-HDD-108

SO-HDD

Insert 250V 10A

Number of contacts

24,42,72,108 + ⊕



SO-HDD-024-MC



SO-HDD-024-FC

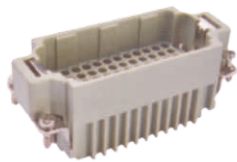


SO-HDD-042-MC

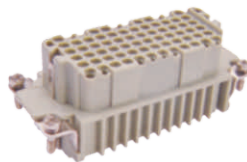


SO-HDD-042-FC

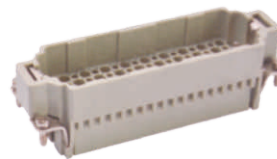
TYPE



SO-HDD-072-MC



SO-HDD-072-FC



SO-HDD-108-MC

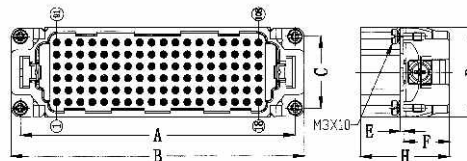
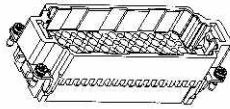


SO-HDD-108-FC

TYPE

Drawing(Dimensions in mm)

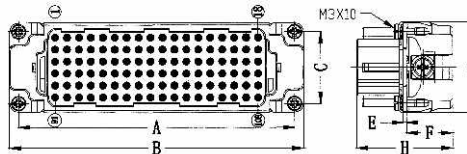
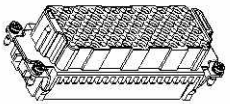
Male insert (MC)



Male insert(M)

number of contacts	A	B	C	D	E	F	H
SO-HDD-024	44	51	27	34	1.2	17.4	33.6
SO-HDD-042	57	64	27	34	1.2	17.4	33.6
SO-HDD-072	77.5	84.5	27	34	1.2	17.4	33.6
SO-HDD-108	104	111	27	34	1.2	17.4	33.6

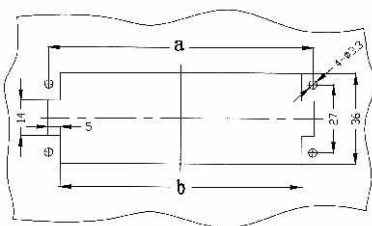
Female insert (FC)



Female insert(F)

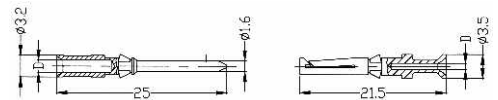
number of contacts	A	B	C	D	E	F	H
SO-HDD-024	44	51	27	34	1.2	17.4	36.1
SO-HDD-042	57	64	27	34	1.2	17.4	36.1
SO-HDD-072	77.5	84.5	27	34	1.2	17.4	36.1
SO-HDD-108	104	111	27	34	1.2	17.4	36.1

Panel cut out for inserts
for use without hoods/housings



Panel cut out

Size	A	B
SO-H6B	44	35
SO-H10B	57	48
SO-H16B	77.5	68.5
SO-H24B	104	95



Crimp contacts	Wire gauge	D	Stripping length
Gold plated	0.14-0.37mm ²	AWG 26-22	0.90mm
	0.5mm ²	AWG 20	1.10mm
Silver plated	0.75mm ²	AWG 18	1.30mm
	1.0mm ²	AWG 18	1.45mm
	1.5mm ²	AWG 16	1.75mm
	2.5mm ²	AWG 14	2.25mm

Note: Suit hood/housing: Size H6B,H10B H16B,H24B
Hood/Housing detail on "Hood/Housing" section

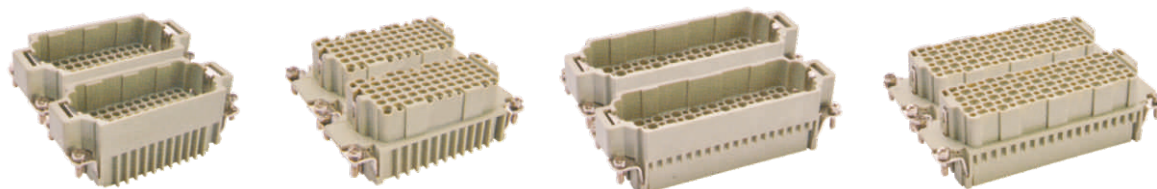
Note: Crimp termina of 10A should order contacts pins separately,detail please refer to page 70

SO-HDD

Number of contacts

Insert 250V 10A

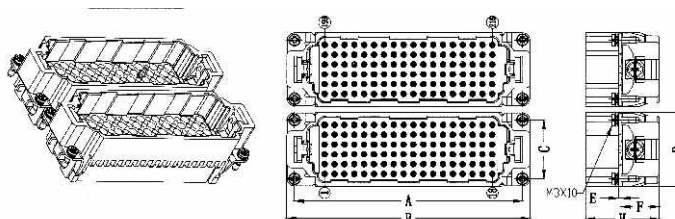
144,216 +



TYPE SO-HDD-144-MC SO-HDD-144-FC SO-HDD-216-MC SO-HDD-216-FC

Drawing(Dimensions in mm)

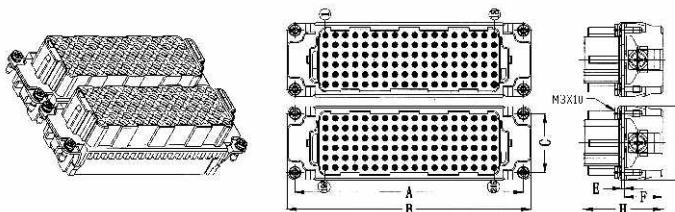
Male insert (MC)



Male insert(M)

number of contacts	A	B	C	D	E	F	H
SO-HDD-144	77.5	84.5	27	34	1.2	17.4	33.6
SO-HDD-216	104	111	27	34	1.2	17.4	33.6

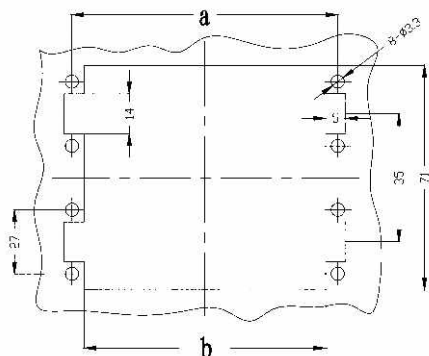
Female insert (FC)



Female insert(F)

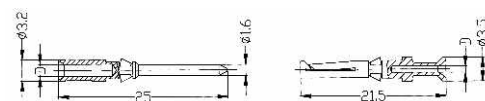
number of contacts	A	B	C	D	E	F	H
SO-HDD-144	77.5	84.5	27	34	1.2	17.4	36.1
SO-HDD-216	104	111	27	34	1.2	17.4	36.1

Panel cut out for inserts
for use without hoods/housings



Panel cut out

Size	A	B
SO-H32B	77.5	68.5
SO-H48B	104	95.0



Crimp contacts	Wire gauge		D	Stripping length
Gold plated	0.14-0.37mm ²	AWG 26-22	0.90mm	8mm
	0.5mm ²	AWG 20	1.10mm	8mm
	0.75mm ²	AWG 18	1.30mm	8mm
Silver plated	1.0mm ²	AWG 18	1.45mm	8mm
	1.5mm ²	AWG 16	1.75mm	8mm
	2.5mm ²	AWG 14	2.25mm	6mm

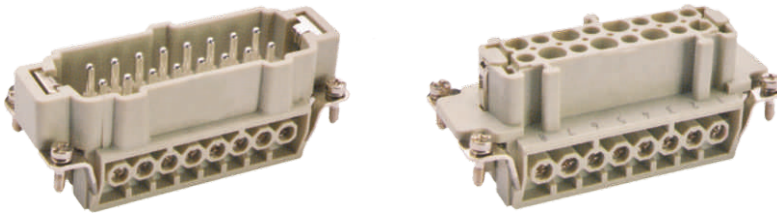
Note: Suit hood/housing: Size H32B,H48B

Hood/Housing detail on "Hood/Housing" section

Note:

Crimp termina of 10A should order contacts pins separately,detail please refer to page 70

HE | Technical characteristics



Current carrying capacity

The current carrying is limited by maximum temperature of materials for inserts and contacts including terminals

DIN IEC 60512-5 Control and test procedures according to DIN IEC 60512-5

Specifications

Inserts

Number of contacts

DIN EN 60 664
DIN EN 61 984

6, 10, 18, 24, 32, 48
32(2x16), 48(2x24)+PE

Working current

16A 500V 3 6KV

See current carrying capacity)

Working voltage

Pollution degree

Rated impulse voltage

Insulation resistance

$\geq 10^{10} \Omega$

Material

Polycarbonate
VO

UL94/Flammability acc.to(UL94)

Limiting temperatures

-40°C ~ +125°C

Mechanical working life (mating cycles)

≥ 500

Working voltage acc.to UL/CSA

600V

Contacts

Material

Copper alloy

Surface

Silver plated

Contact resistance

$\leq 1m\Omega$

Terminal

Screw terminal

Wire gauge

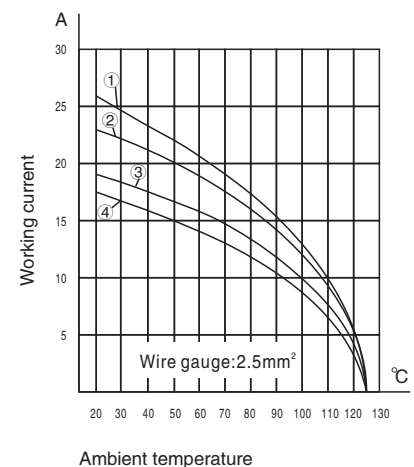
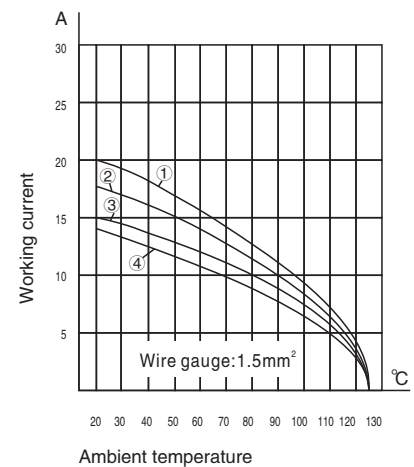
1.0-2.5mm²(AWG18-14)

Screw terminal tightening

0.5Nm

Stripping length

7-9mm



Ambient temperature

① SO-HE-006 ③ SO-HE-016
② SO-HE-010 ④ SO-HE-024

SO-HE

Number of contacts

Insert 500V 16A

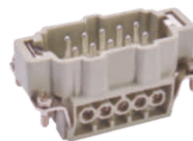
6,10,16,24 +



TYPE SO-HE-006-M



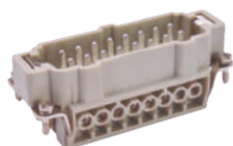
TYPE SO-HE-006-F



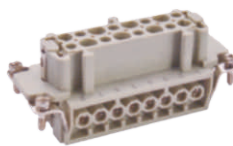
TYPE SO-HE-010-M



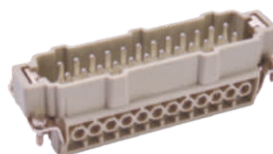
TYPE SO-HE-010-F



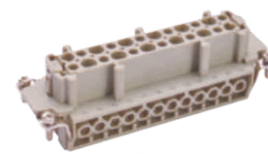
TYPE SO-HE-016-M



TYPE SO-HE-016-F



TYPE SO-HE-024-M

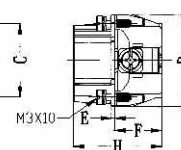
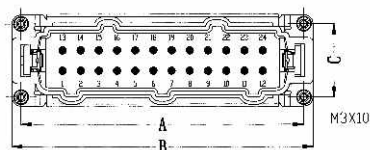
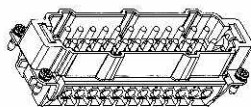


TYPE SO-HE-024-F

Drawing(Dimensions in mm)

HE

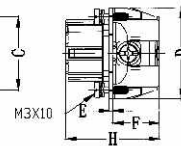
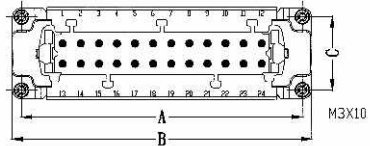
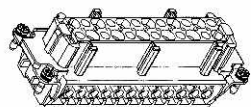
Male insert (M)



Male insert(M)

number of contacts	A	B	C	D	E	F	H
SO-HE-006	44	51	27	34	1.2	17.3	32.4
SO-HE-010	57	64	27	34	1.2	17.3	32.4
SO-HE-016	77.5	84.5	27	34	1.2	17.3	32.4
SO-HE-024	104	111	27	34	1.2	17.3	32.4

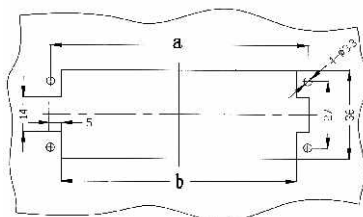
Female insert (F)



Female insert(F)

number of contacts	A	B	C	D	E	F	H
SO-HE-006	44	51	27	34	1.2	17.3	34.6
SO-HE-010	57	64	27	34	1.2	17.3	34.6
SO-HE-016	77.5	84.5	27	34	1.2	17.3	34.6
SO-HE-024	104	111	27	34	1.2	17.3	34.6

Panel cut out for inserts
for use without hoods/housings



Panel cut out

Size	a	b
SO-H6B	44	35
SO-H10B	57	48
SO-H16B	77.5	68.5
SO-H24B	104	95

Note: Suit hood/housing: Size H6B, H10B,H16B,H24B

Hood/Housing detail on "Hood/Housing" section

SO-HE

Number of contacts

Insert 500V 16A

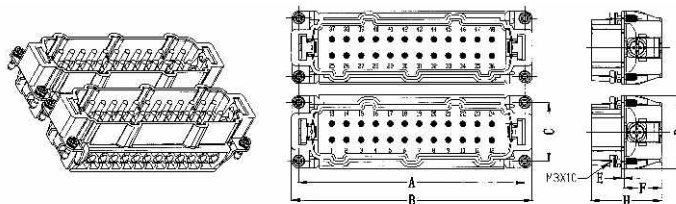
32,48 + \oplus



TYPE SO-HE-032-M SO-HE-032-F SO-HE-048-M SO-HE-048-F

Drawing(Dimensions in mm)

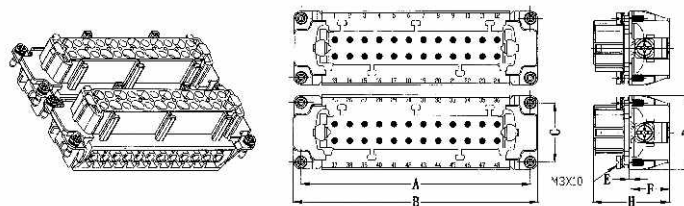
Male insert (M)



Male insert(M)

number of contacts	A	B	C	D	E	F	H
SO-HE-032	77.5	84.5	27	34	1.2	17.3	32.4
SO-HE-048	104	111	27	34	1.2	17.3	32.4

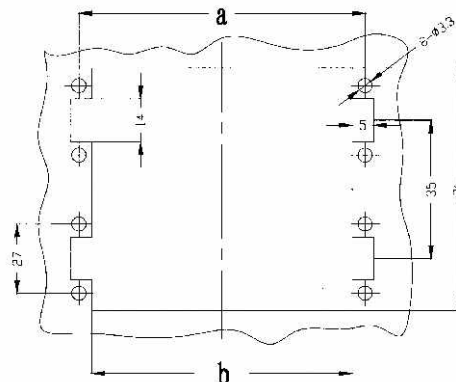
Female insert (F)



Female insert(F)

number of contacts	A	B	C	D	E	F	H
SO-HE-032	77.5	84.5	27	34	1.2	17.3	34.6
SO-HE-048	104	111	27	34	1.2	17.3	34.6

Panel cut out for inserts
for use without hoods/housings



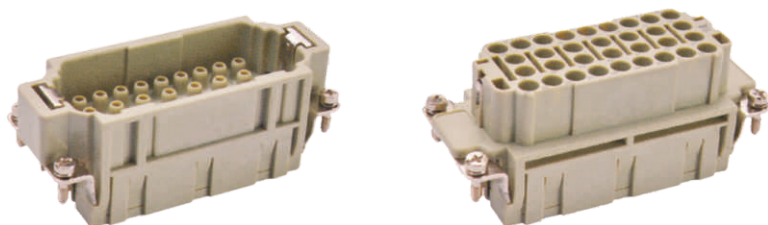
Panel cut out

Size	a	b
SO-H32B	77.5	68.5
SO-H48B	104	95

Note: Suit hood/housing: Size H32B,H48B

Hood/Housing detail on "Hood/Housing" section

HEE | Technical characteristics



Current carrying capacity

The current carrying is limited by maximum temperature of materials for inserts and contacts including terminals

Specifications

Inserts

Number of contacts

DIN EN 60 664

DIN EN 61 984

10, 18, 32, 46, 64, 92

64(2x32), 92(2x46)+PE

Working current

See current carrying capacity)

Working voltage

Pollution degree

Rated impulse voltage

Insulation resistance

Material

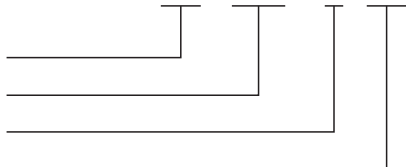
Flammability acc.to(UL94)

Limiting temperatures

Mechanical working life (mating cycles)

Working voltage acc.to UL/CSA

16A 500V 3 6KV



$\geq 10^{10} \Omega$

Polycarbonate

VO

-40°C ~ +125°C

≥ 500

600V

Contacts

Material

Surface

Contact resistance

Terminal

Wire gauge

Stripping length

Copper alloy

Silver plated

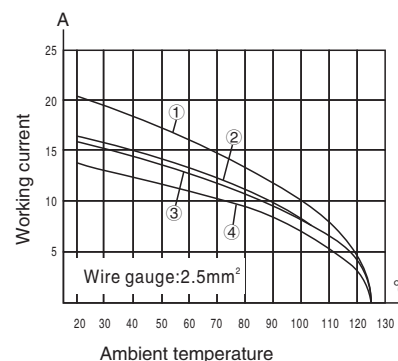
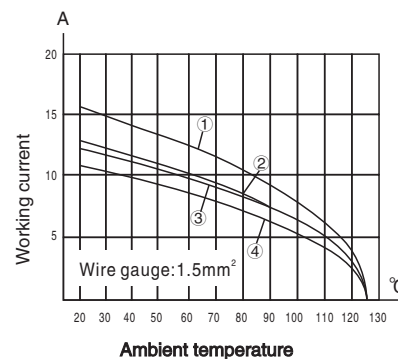
$\leq 1m\Omega$

Crimp terminal

0.14-4.0mm²(AWG26-12)

7.5mm

DIN IEC 60512-5 Control and test procedures according to DIN IEC 60512-5



①SO-HEE-010 ③SO-HEE-032

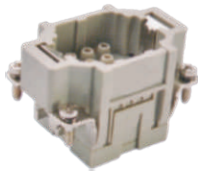
②SO-HEE-018 ④SO-HEE-046

SO-HEE

Insert 500V 16A

Number of contacts

10, 18, 32, 46 + \oplus



SO-HEE-010-MC



SO-HEE-010-FC



SO-HEE-018-MC



SO-HEE-018-FC

TYPE



SO-HEE-032-MC



SO-HEE-032-FC



SO-HEE-046-MC

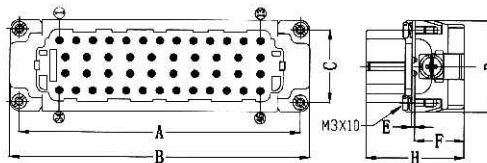


SO-HEE-046-FC

TYPE

Drawing(Dimensions in mm)

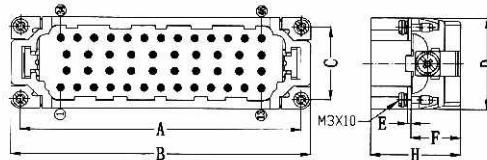
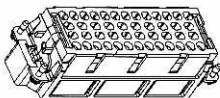
Male insert (MC)



Male insert(M)

number of contacts	A	B	C	D	E	F	H
SO-HEE-010	44	51	27	34	1.2	18.3	33.3
SO-HEE-018	57	64	27	34	1.2	18.3	33.3
SO-HEE-032	77.5	84.5	27	34	1.2	18.3	33.3
SO-HEE-046	104	111	27	34	1.2	18.3	33.3

Female insert (FC)

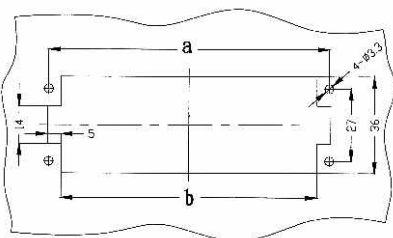


Female insert(F)

number of contacts	A	B	C	D	E	F	H
SO-HEE-010	44	51	27	34	1.2	18.2	36.2
SO-HEE-018	57	64	27	34	1.2	18.2	36.2
SO-HEE-032	77.5	84.5	27	34	1.2	18.2	36.2
SO-HEE-046	104	111	27	34	1.2	18.2	36.2

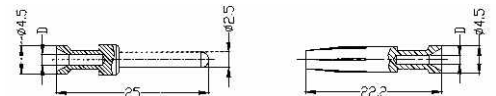
Panel cut out for inserts

for use without hoods/housings



Panel cut out

Size	A	B
SO-H6B	44	35
SO-H10B	57	48
SO-H16B	77.5	68.5
SO-H24B	104	95



Crimp contacts	Wire gauge	D	Stripping length
Gold plated	0.14-0.37mm ²	AWG 26-22	0.90mm
	0.5mm ²	AWG 20	1.10mm
	0.75mm ²	AWG 18	1.30mm
Silver plated	1.0mm ²	AWG 18	1.45mm
	1.5mm ²	AWG 16	1.75mm
	2.5mm ²	AWG 14	2.25mm
	3.0mm ²	AWG 12	2.55mm
	4.0mm ²	AWG 12	2.85mm

Note: Suit hood/housing: Size H32B,H48B

Hood/Housing detail on "Hood/Housing" section

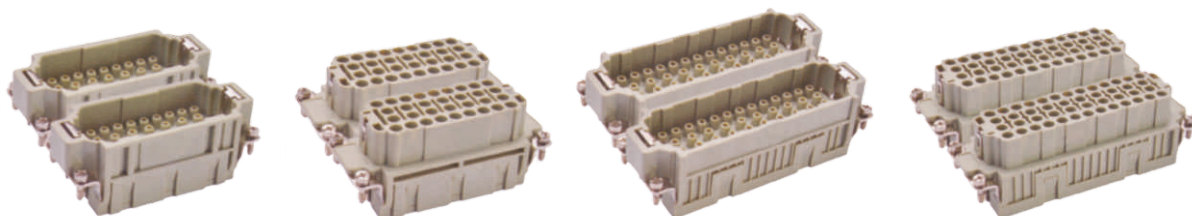
Note: Crimp termina of 16A should order contacts pins separately,detail please refer to page 70

SO-HEE

Number of contacts

Insert 500V 16A

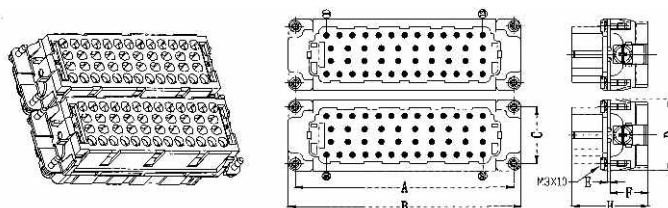
64,92+



TYPE SO-HEE-064-MC SO-HEE-064-FC SO-HEE-092-MC SO-HEE-092-FC

Drawing
(Dimensions in mm)

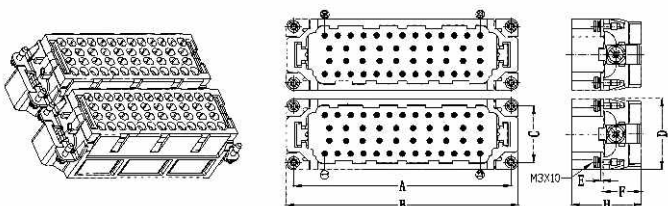
Male insert (MC)



Male insert(M)

number of contacts	A	B	C	D	E	F	H
SO-HEE-064	77.5	84.5	27	34	1.2	18.3	33.3
SO-HEE-092	104	111	27	34	1.2	18.3	33.3

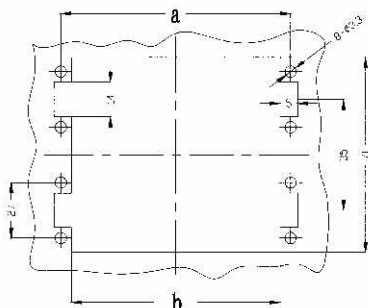
Female insert (FC)



Female insert(F)

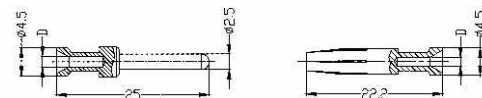
number of contacts	A	B	C	D	E	F	H
SO-HEE-064	77.5	84.5	27	34	1.2	18.2	36.2
SO-HEE-092	104	111	27	34	1.2	18.2	36.2

Panel cut out for inserts
for use without hoods/housings



Panel cut out

Size	a	b
SO-H32B	77.5	68.5
SO-H48B	104	95



Crimp contacts	Wire gauge	D	Stripping length
Gold plated	0.14-0.37mm ²	AWG 26-22	0.90mm
	0.5mm ²	AWG 20	1.10mm
	0.75mm ²	AWG 18	1.30mm
Silver plated	1.0mm ²	AWG 18	1.45mm
	1.5mm ²	AWG 16	1.75mm
	2.5mm ²	AWG 14	2.25mm
	3.0mm ²	AWG 12	2.55mm
	4.0mm ²	AWG 12	2.85mm

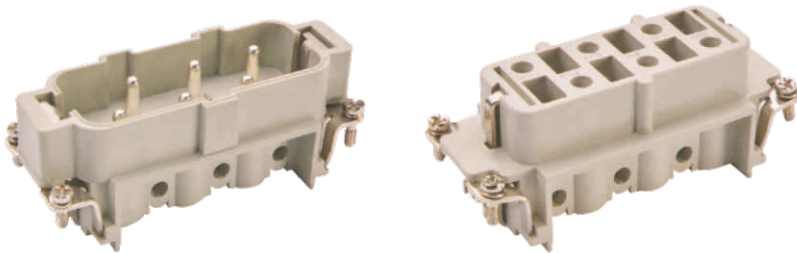
Note: Suit hood/housing: Size H32B,H48B

Hood/Housing detail on "Hood/Housing" section

Note: Crimp termina of 16A should order contacts pins separately,detail please refer to page 70

HSB

Technical characteristics



Current carrying capacity

The current carrying is limited by maximum temperature of materials for inserts and contacts including terminals

DIN IEC 60512-5 Control and test procedures according to DIN IEC 60512-5

Specifications

Inserts

Number of contacts

Working current

See current carrying capacity)

Working voltage

Pollution degree

Rated impulse voltage

Insulation resistance

Material

Flammability acc.to(UL94)

Limiting temperatures

Mechanical working life (mating cycles)

Working voltage acc.to UL/CSA

Contacts

Material

Surface

Contact resistance

Terminal

Wire gauge

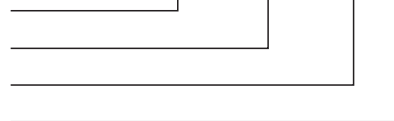
Screw terminal tightening

DIN EN 60 664

DIN EN 61 984

6, 12, (2X6)+PE

35A 400V/690V 3 6KV



$\geq 10^{10} \Omega$

Polycarbonate

VO

$-40^{\circ}\text{C} \sim +125^{\circ}\text{C}$

≥ 500

600V

Copper alloy

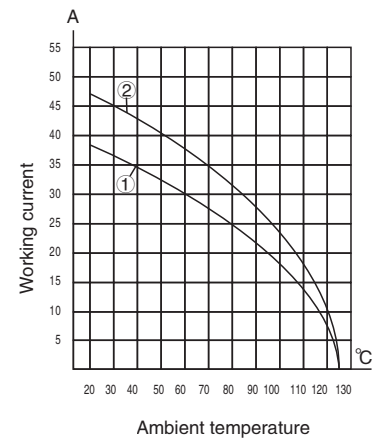
Silver plated

$\leq 1\text{m}\Omega$

Screw terminal

$4.0\text{--}6.0\text{mm}^2$ (AWG12-10)

1.2Nm



① wire gauge: 4.0mm^2

② wire gauge: 6.0mm^2

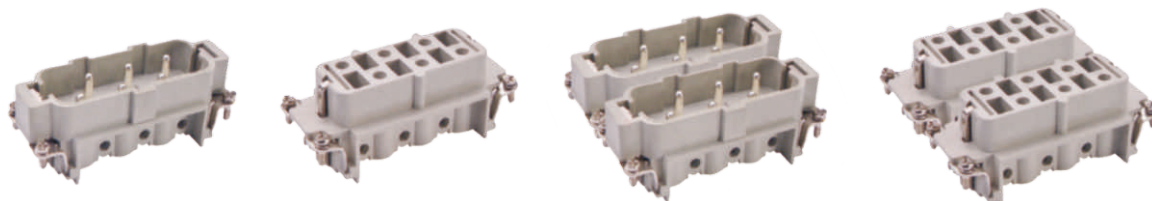
HSB

SO-HSB

Insert 400/690V 35A

Number of contacts

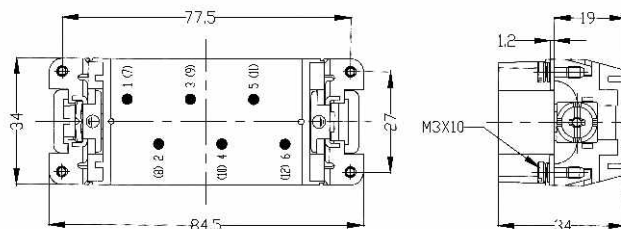
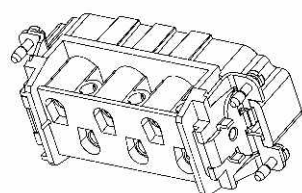
6, 12(2X6) + \oplus



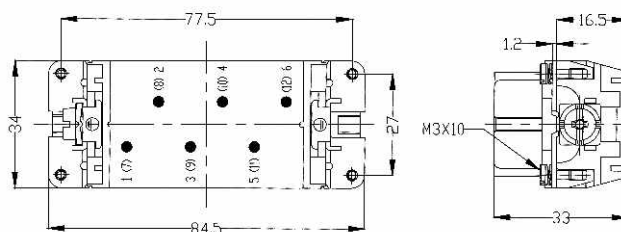
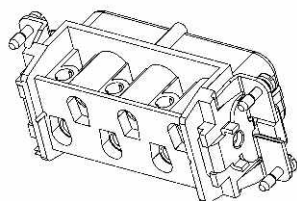
TYPE	SO-HSB-006-M	SO-HSB-006-F	SO-HSB-012-M	SO-HSB-012-F
------	--------------	--------------	--------------	--------------

Drawing (Dimensions in mm)

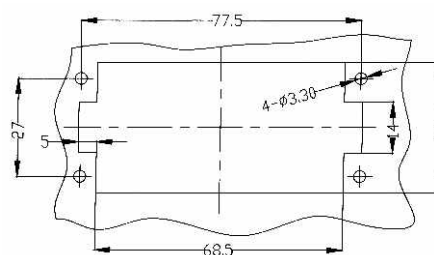
Male insert (M)



Female insert (F)



Panel cut out for inserts
for use without hoods/housings

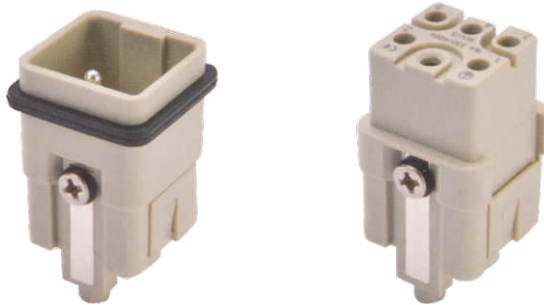


Note: Suit hood/housing: Size H3A

Hood/Housing detail on "Hood/Housing" section

HSB

HQ | Technical characteristics



Current carrying capacity

The current carrying is limited by maximum temperature of materials for inserts and contacts including terminals

DIN IEC 60512-5 Control and test procedures according to DIN IEC 60512-5

Specifications

DIN EN 60 664

DIN EN 61 984

Inserts

Number of contacts

5+PE

Working current

16A 230/400 V 4 KV 3

Working voltage

Rated impulse voltage

Pollution degree

Pollution degree 2 also

Insulation resistance

Material

Flammability acc.to(UL94)

Limiting temperatures

Mechanical working life (mating cycles)

Working voltage acc.to UL/CSA

16A 320/500 V 4KV 2

$\geq 10^{10} \Omega$

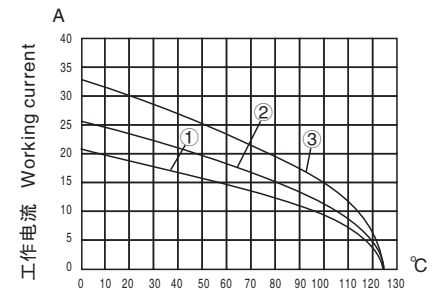
Polycarbonate

VO

-40°C ~ +125°C

≥ 500

600V



Ambient temperature
Wire gauge: ① 1.0mm²
② 1.5mm²
③ 2.5mm²

Contacts

Material

Copper alloy

Surface

Gold plated

Silver plated

Contact resistance

$\leq 1m \Omega$

Terminal

Crimp terminal

Wire gauge

0.14-4.0mm²(AWG26-12)

Wire gauge

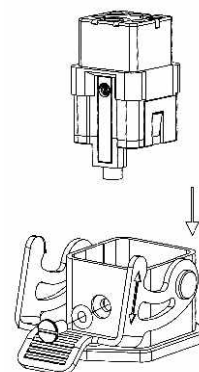
2.5mm²(AWG14)

SO-HQ

Number of contacts

5 +

Insert 230/400V 16A



TYPE

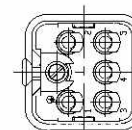
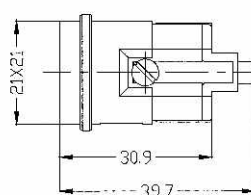
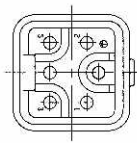
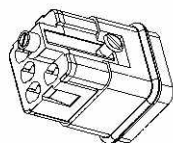
SO-HQ-005/0-MC

SO-HQ-005/0-FC

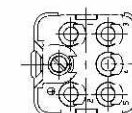
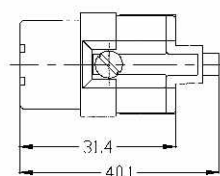
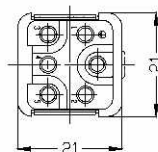
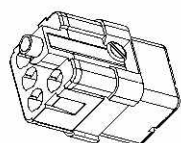
Mounting example

Drawing (Dimensions in mm)

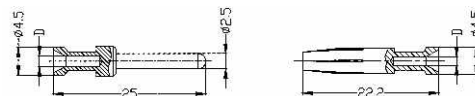
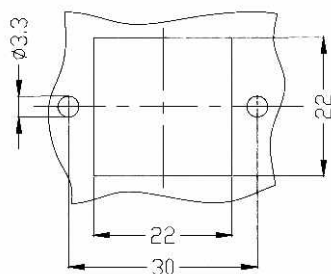
Male insert (MC)



Female insert (FC)



Panel cut out for inserts
for use without hoods/housings



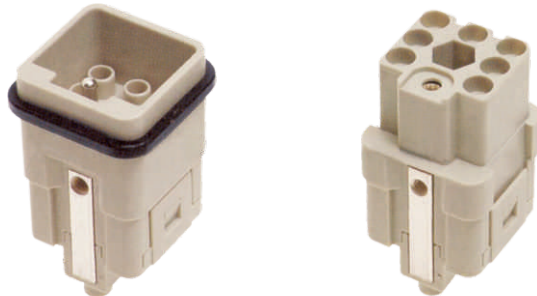
Crimp contacts	Wire gauge		D	Stripping length
Gold plated	0.14-0.37mm ²	AWG 26-22	0.90mm	7.5mm
	0.5mm ²	AWG 20	1.10mm	7.5mm
	0.75mm ²	AWG 18	1.30mm	7.5mm
Silver plated	1.0mm ²	AWG 18	1.45mm	7.5mm
	1.5mm ²	AWG 16	1.75mm	7.5mm
	2.5mm ²	AWG 14	2.25mm	7.5mm
	3.0mm ²	AWG 12	2.55mm	7.5mm
	4.0mm ²	AWG 12	2.85mm	7.5mm

Note: Suit hood/housing: Size H3A

Hood/Housing detail on "Hood/Housing" section

Note: Crimp termina of 16A should order contacts pins separately, detail please refer to page 70

HQ | Technical characteristics



Current carrying capacity

The current carrying is limited by maximum temperature of materials for inserts and contacts including terminals

DIN IEC 60512-5 Control and test procedures according to DIN IEC 60512-5

Specifications

Inserts

Number of contacts

Working current

Working voltage

Rated impulse voltage

Pollution degree

Pollution degree 2 also

Insulation resistance

Material

Flammability acc.to(UL94)

Limiting temperatures

Mechanical working life (mating cycles)

Working voltage acc.to UL/CSA

DIN EN 60 664

DIN EN 61 984

7+PE

10A

400 V

6 KV

3

10A 400/690 V 6KV 2

$\geq 10^{10} \Omega$

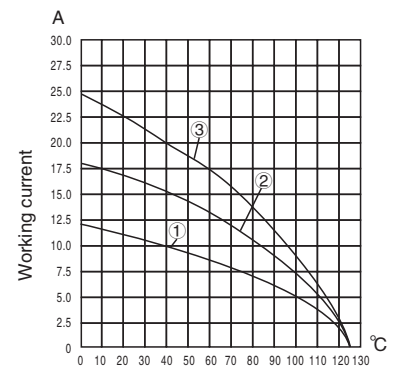
Polycarbonate

VO

-40°C ~ +125°C

≥ 500

600V



Ambient temperature
Wire gauge: ① 0.75mm²
② 1.5mm²
③ 2.5mm²

Contacts

Material

Surface

Contact resistance

Terminal

Wire gauge

PE Wire gauge

Copper alloy

Gold plated

Silver plated

$\leq 3m \Omega$

Crimp terminal

0.14-2.5mm²(AWG26-14)

2.5mm²(AWG14)

SO-HQ

Number of contacts

Insert 400V 10A

7 +



TYPE

SO-HQ-007/0-MC

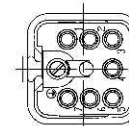
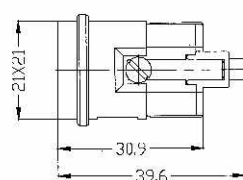
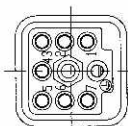
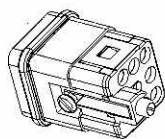
SO-HQ-007/0-FC

SO-KRCP-Q7M

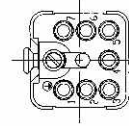
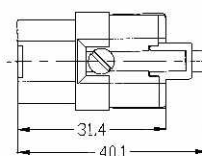
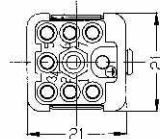
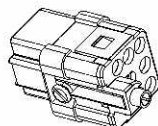
SO-KRCP-Q7F

Drawing (Dimensions in mm)

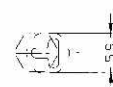
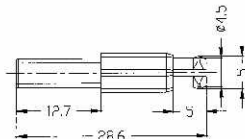
Male insert (MC)



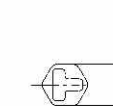
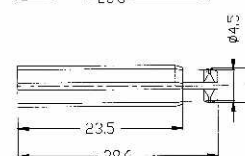
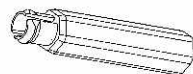
Female insert (FC)



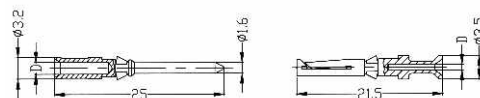
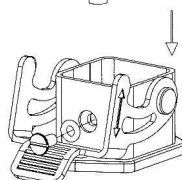
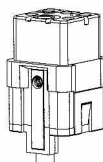
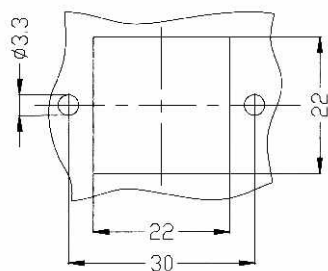
Coding pins (M)



Coding pins (F)



Panel cut out for inserts
for use without hoods/housings



Crimp contacts	Wire gauge		D	Stripping length
Gold plated	0.14-0.37mm ²	AWG 26-22	0.90mm	8mm
	0.5mm ²	AWG 20	1.10mm	8mm
Silver plated	0.75mm ²	AWG 18	1.30mm	8mm
	1.0mm ²	AWG 18	1.45mm	8mm
	1.5mm ²	AWG 16	1.75mm	8mm
	2.5mm ²	AWG 14	2.25mm	6mm

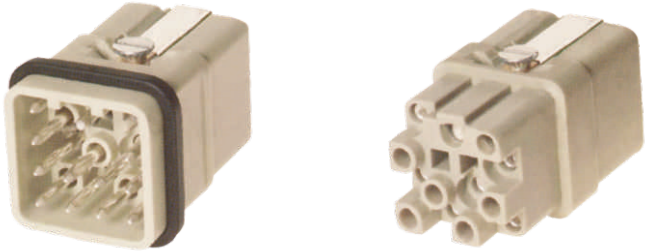
Note: Suit hood/housing: Size H3A

Hood/Housing detail on "Hood/Housing" section

Mounting example

Note: Crimp termina of 10A should order contacts pins separately, detail please refer to page 70

HQ | Technical characteristics



Current carrying capacity

The current carrying is limited by maximum temperature of materials for inserts and contacts including terminals

DIN IEC 60512-5 Control and test procedures according to DIN IEC 60512-5

Specifications

Inserts

Number of contacts

Working current

Working voltage

Rated impulse voltage

Pollution degree

Pollution degree 2 also

Insulation resistance

Material

Flammability acc.to(UL94)

Limiting temperatures

Mechanical working life (mating cycles)

DIN EN 60 664

DIN EN 61 984

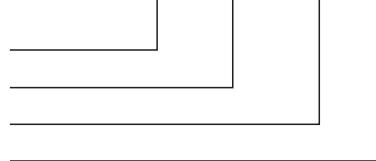
12+PE

10A

400 V

6 KV

3



10 A 400/690 V 6KV 2

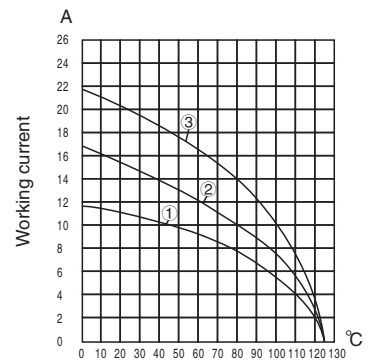
$\geq 10^{10} \Omega$

Polycarbonate

VO

$-40^{\circ}\text{C} \sim +125^{\circ}\text{C}$

≥ 500



Ambient temperature

Wire gauge: ① 0.75mm²

② 1.5mm²

③ 2.5mm²

Contacts

Material

Surface

Contact resistance

Terminal

Wire gauge

Wire gauge

Copper alloy

Gold plated

Silver plated

$\leq 3\text{m}\Omega$

Crimp terminal

0.14–2.5mm²(AWG26–14)

0.5–2.5mm²(AWG20–14)

SO-HQ

Number of contacts

12+

Insert 400V 10A



TYPE

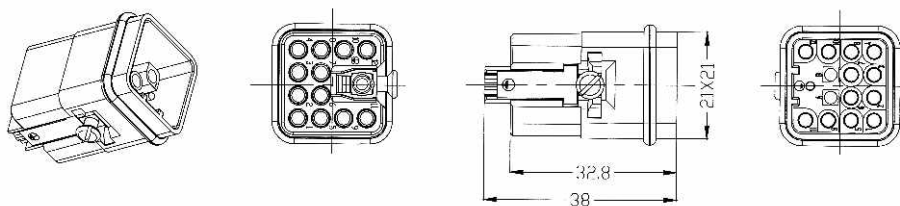
SO-HQ-012/0-MC

SO-HQ-012/0-FC

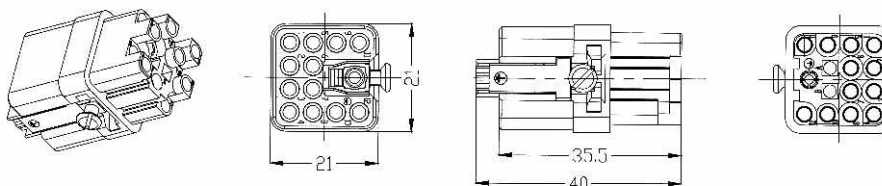
SO-KRCP-Q12

Drawing (Dimensions in mm)

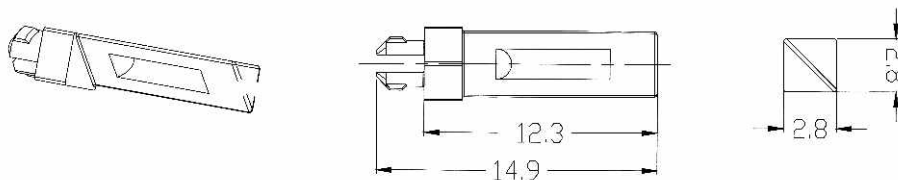
Male insert (MC)



Female insert (FC)

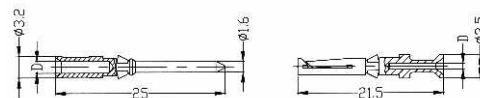
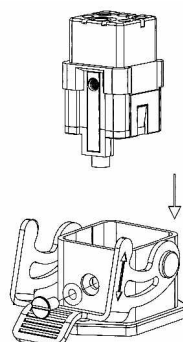
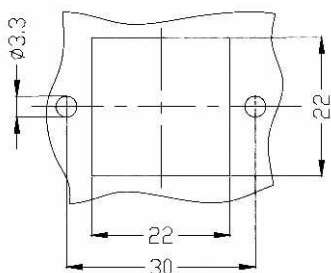


Coding pins (M)



Panel cut out for inserts

for use without hoods/housings



Crimp contacts	Wire gauge		D	Stripping length
Gold plated	0.14-0.37mm ²	AWG 26-22	0.90mm	8mm
	0.5mm ²	AWG 20	1.10mm	8mm
	0.75mm ²	AWG 18	1.30mm	8mm
Silver plated	1.0mm ²	AWG 18	1.45mm	8mm
	1.5mm ²	AWG 16	1.75mm	8mm
	2.5mm ²	AWG 14	2.25mm	6mm

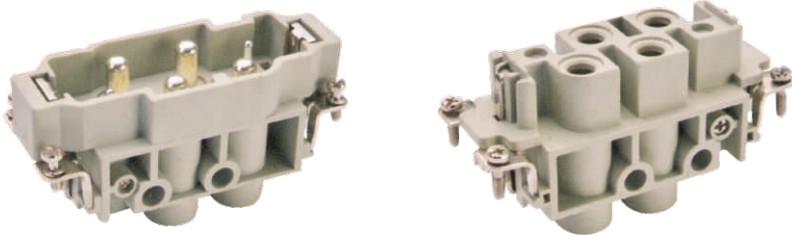
Note: Suit hood/housing: Size H3A

Mounting example

Note: Crimp termina of 10A should order contacts pins separately, detail please refer to page 70

Hood/Housing detail on "Hood/Housing" section

HK | Technical characteristics



Current carrying capacity

The current carrying is limited by maximum temperature of materials for inserts and contacts including terminals

DIN IEC 60512-5 Control and test procedures according to DIN IEC 60512-5

Specifications

Inserts

Number of contacts

Power area

Working current

Working voltage

Pollution degree

Rated impulse voltage

Signal area

Working current

Working voltage

Pollution degree

Rated impulse voltage

Pollution degree 2 also

Working voltage acc.to UL/CSA

Material

Insulation resistance

Flammability acc.to(UL94)

Limiting temperatures

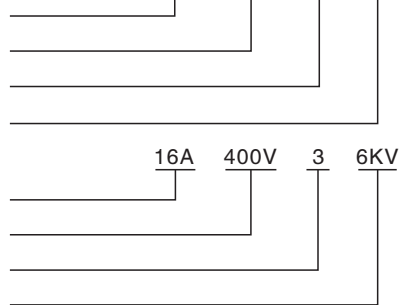
Mechanical working life (mating cycles)

DIN EN 60 664

DIN EN 61 984

4/0+PE,4/2+PE

80A 830 V 3 8KV



16A 400/690V 2 6KV

600V/300V

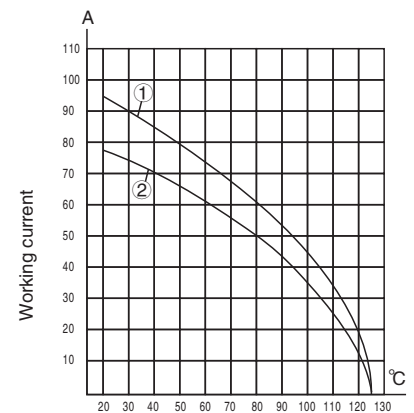
Polycarbonate

$\geq 10^{10} \Omega$

VO

-40°C ~ +125°C

≥ 500



Ambient temperature

① wire gauge: 16mm²

② wire gauge: 10mm²

Contacts

Material

Surface

Contact resistance

Terminal

Wire gauge

Screw terminal tightening

Copper alloy

Silver plated

Power area $\leq 3m \Omega$

Signal area $\leq 1m \Omega$

Screw terminal

Power area 1.5-16mm (AWG#16-6)

Signal area 1.0-2.5mm (AWG#8-14)

Signal area 0.5Nm

Power area

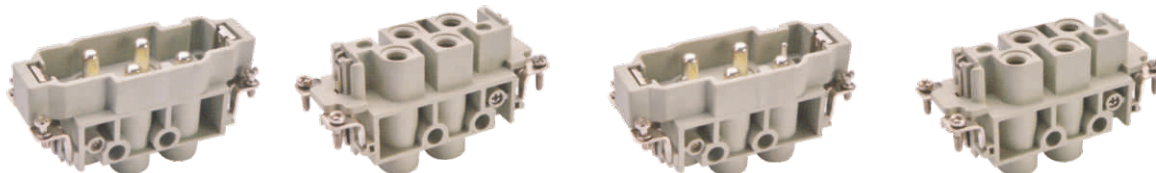
mm ²	1.5	2.5	4	6	10	16
N.m	1.2	2	3	3	3	3

SO-HK

Number of contacts

Insert 830/400V 80/16A

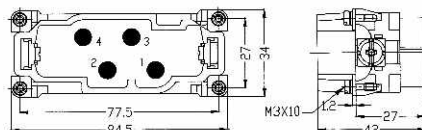
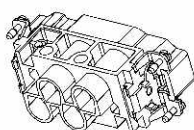
4/0, 4/2 + ⊕



TYPE	SO-HK-4/0-M	SO-HK-4/0-F	SO-HK-4/2-M	SO-HK-4/2-F
------	-------------	-------------	-------------	-------------

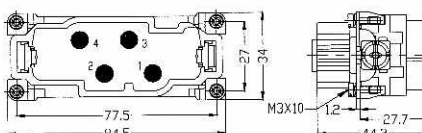
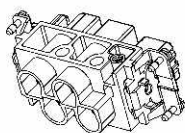
Drawing (Dimensions in mm)

Male insert (M)



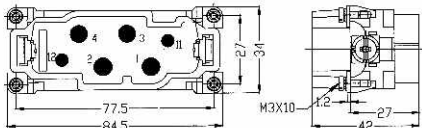
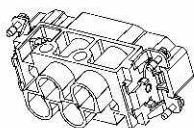
SO-HK-4/0-M

Female insert (F)



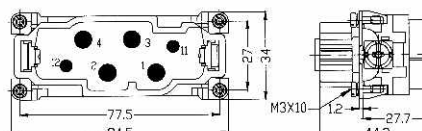
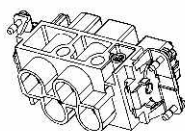
SO-HK-4/0-F

Male insert (M)



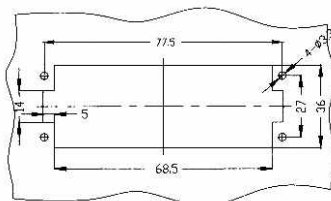
SO-HK-4/2-M

Female insert (F)



SO-HK-4/2-F

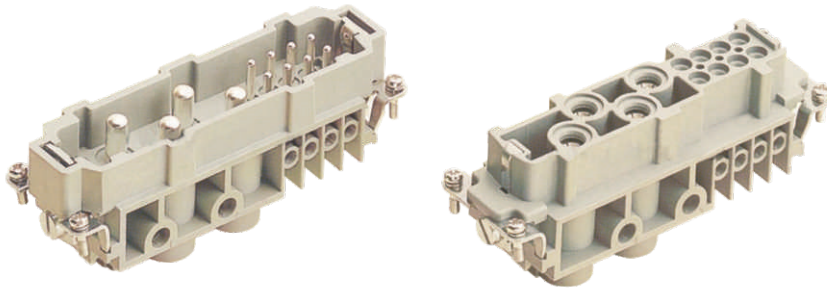
Panel cut out for inserts
for use without hoods/housings



Note: Suit hood/housing: Size H24B

Hood/Housing detail on "Hood/Housing" section

HK | Technical characteristics



Current carrying capacity

The current carrying is limited by maximum temperature of materials for inserts and contacts including terminals

DIN IEC 60512-5 Control and test procedures according to DIN IEC 60512-5

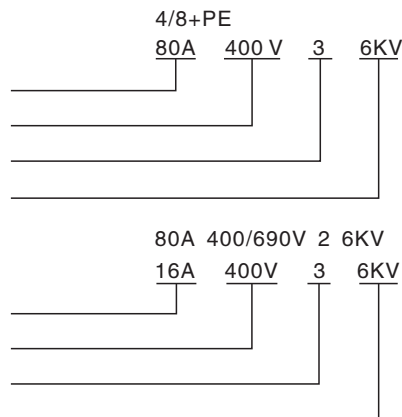
Specifications

Inserts

- Number of contacts
- Power area
- Working current
- Working voltage
- Pollution degree
- Rated impulse voltage
- Pollution degree 2 also
- Signal area
- Working current
- Working voltage
- Pollution degree
- Rated impulse voltage
- Working voltage acc.to UL/CSA
- Material
- Insulation resistance
- Flammability acc.to(UL94)
- Limiting temperatures
- Mechanical working life (mating cycles)

DIN EN 60 664

DIN EN 61 984



600V/600V

Polycarbonate

$\geq 10^{10} \Omega$

VO

-40°C ~ +125°C

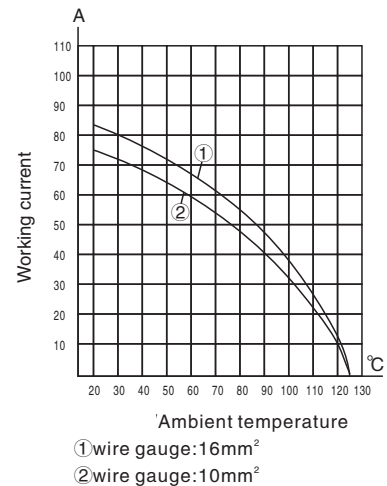
≥ 500

Contacts

- Material
- Surface
- Contact resistance
- Terminal
- Wire gauge
- Screw terminal tightening

- Copper alloy
- Silver plated
- Power area $\leq 3m\Omega$
- Signal area $\leq 1m\Omega$
- Screw terminal
- Power area 1.5-16mm (AWG16-6)
- Signal area 0.5-2.5mm (AWG20-14)
- Signal area 0.5Nm
- Power area


mm ²	1.5	2.5	4	6	10	16
N.m	1.2	2	3	3	3	3



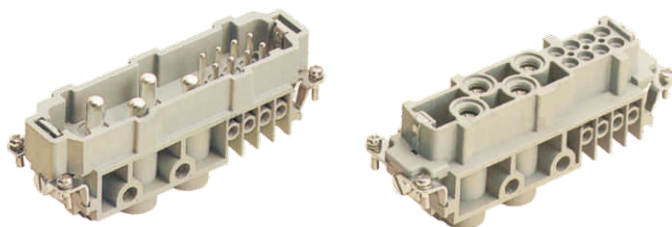
HK

SO-HK

Number of contacts

4/8+ 

Insert 400/400V 80/16A



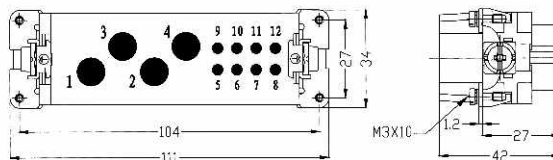
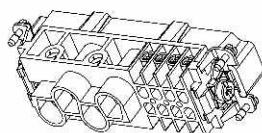
TYPE

SO-HK-4/8-M

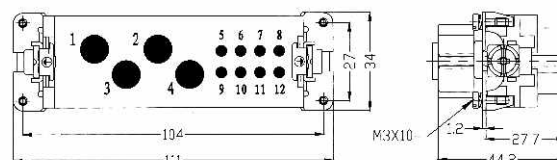
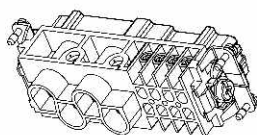
SO-HK-4/8-F

Drawing (Dimensions in mm)

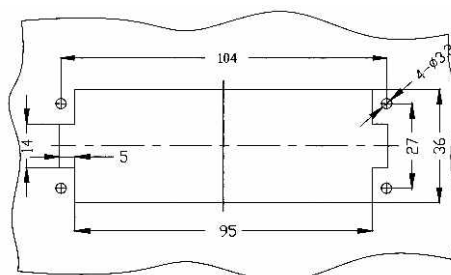
Male insert (M)



Female insert (F)



Panel cut out for inserts
for use without hoods/housings

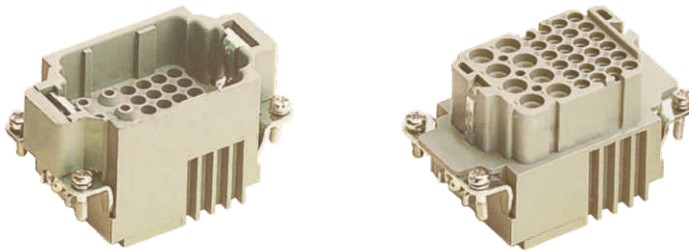


Note: Suit hood/housing: Size H24B

Hood/Housing detail on "Hood/Housing" section

HK

Technical characteristics



Current carrying capacity

The current carrying is limited by maximum temperature of materials for inserts and contacts including terminals

DIN IEC 60512-5 Control and test procedures according to DIN IEC 60512-5

Specifications

DIN EN 60 664

DIN EN 61 984

Inserts

Number of contacts

Power area

Working current

Working voltage

Pollution degree

Rated impulse voltage

Pollution degree 2 also

Signal area

Working current

Working voltage

Pollution degree

Rated impulse voltage

Working voltage acc.to UL/CSA

Material

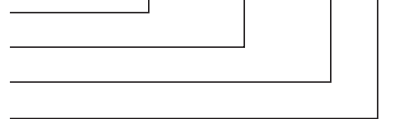
Insulation resistance

Flammability acc.to(UL94)

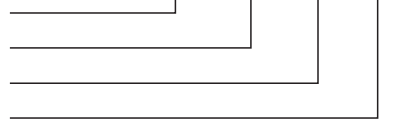
Limiting temperatures

Mechanical working life (mating cycles)

8/24+PE
16A 230 V/400V 3 4KV



10A 250V 2 4KV
10A 160V 3 2.5KV



600V/300V

Polycarbonate

$\geq 10^{10} \Omega$

VO

$-40^{\circ}\text{C} \sim +125^{\circ}\text{C}$

≥ 500

Contacts

Material

Copper alloy

Surface

Gold plated

Contact resistance

Silver plated

$\leq 1\text{m}\Omega/3\text{m}\Omega$

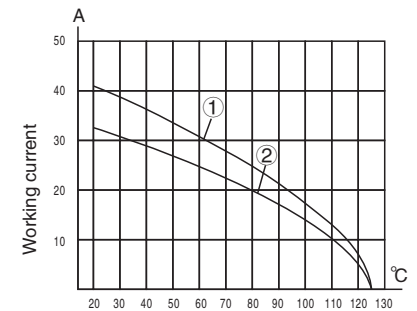
Terminal

Crimp terminal

Wire gauge

$0.5-4.0\text{mm}^2/0.14-2.5\text{mm}^2$

AWG20-12/26-14



Ambient temperature

① wire gauge: 4.0mm^2

② wire gauge: 2.5mm^2

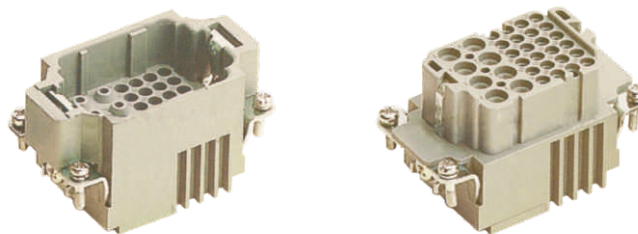
HK

SO-HK

Number of contacts

Insert 400/100V 16/10A

8/24+ ⊕



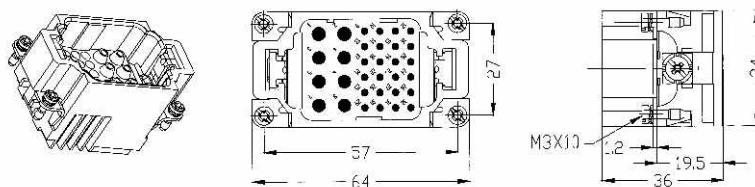
TYPE

SO-HK-8/24-MC

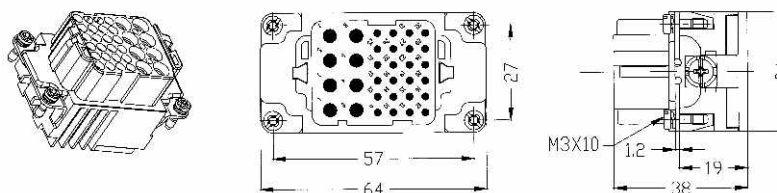
SO-HK-8/24-FC

Drawing (Dimensions in mm)

Male insert (MC)

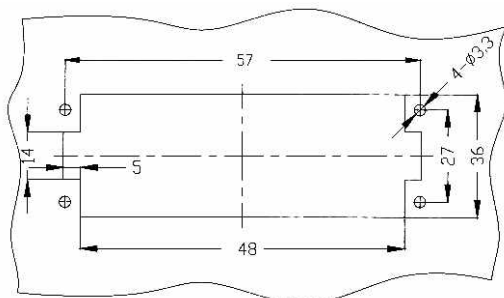


Female insert (FC)



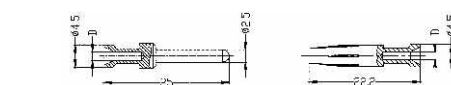
Panel cut out for inserts

for use without hoods/housings

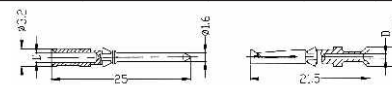


Note: Suit hood/housing: Size H10B

Hood/Housing detail on "Hood/Housing" section



Crimp contacts	Wire gauge	D	Stripping length
Gold plated	0.14–0.37mm ²	AWG 26–22	0.90mm
	0.5mm ²	AWG 20	1.10mm
	0.75mm ²	AWG 18	1.30mm
Silver plated	1.0mm ²	AWG 18	1.45mm
	1.5mm ²	AWG 16	1.75mm
	2.5mm ²	AWG 14	2.25mm
	3.0mm ²	AWG 12	2.55mm
	4.0mm ²	AWG 12	2.85mm

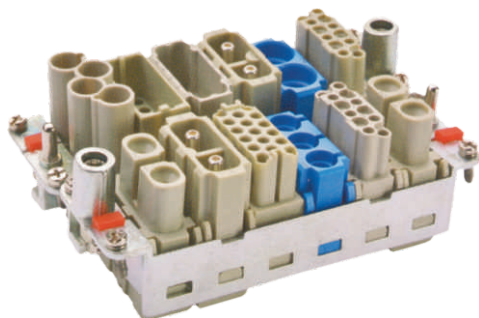


Crimp contacts	Wire gauge	D	Stripping length
Gold plated	0.14–0.37mm ²	AWG 26–22	0.90mm
	0.5mm ²	AWG 20	1.10mm
	0.75mm ²	AWG 18	1.30mm
Silver plated	1.0mm ²	AWG 18	1.45mm
	1.5mm ²	AWG 16	1.75mm
	2.5mm ²	AWG 14	2.25mm

Note: Crimp termina of 10/16A should order contacts pins separately, detail please refer to page 74

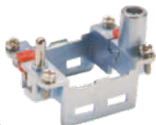
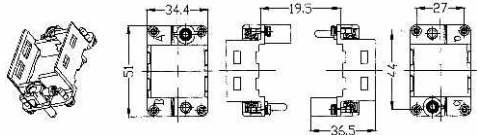
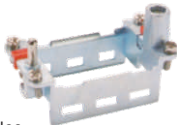
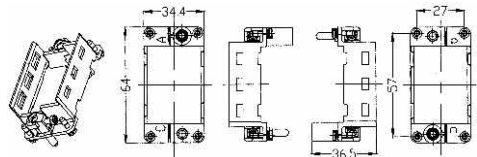
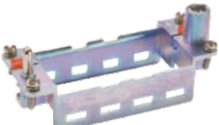
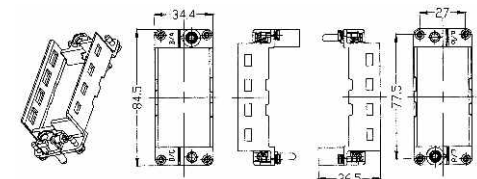
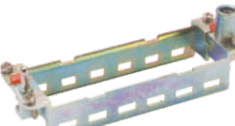
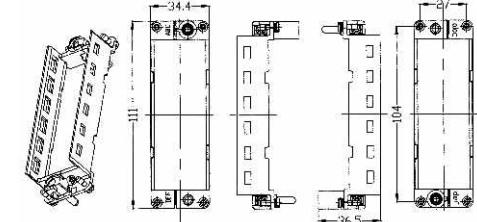
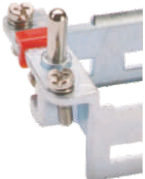
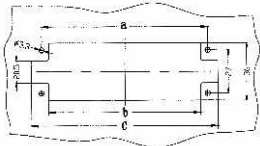
HM

Technical characteristics



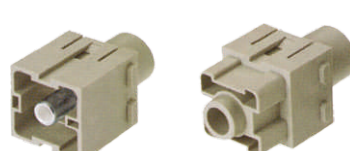
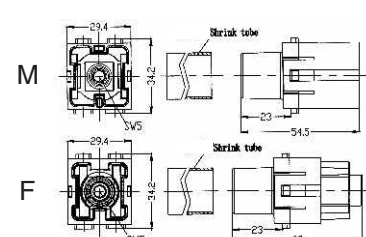

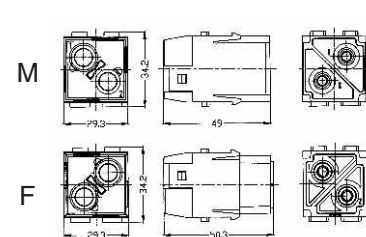
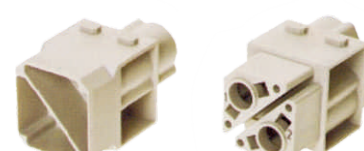
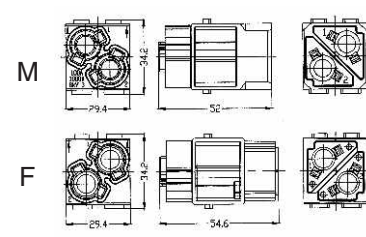

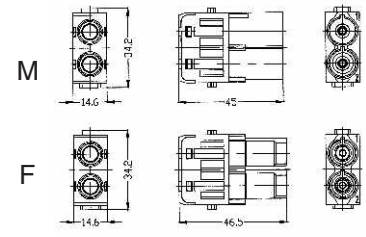
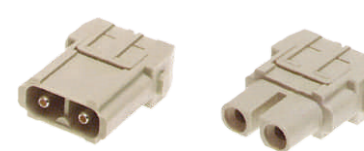
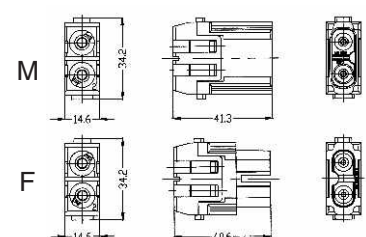

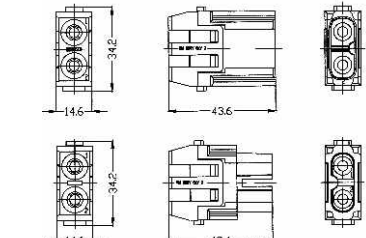
Specifications

	DIN EN 60 664
	DIN EN 61 984
Number of modules	2,3,4,6
PE contact	
Power side	4 ~ 6mm ² (10mm ²) AWG 12 ~ 10(AWG8)
Signal side	1 ~ 2.5mm ² AWG 18 ~ 14
Material	Zinc die-cast
Limiting temperatures	-40°C ~ +125°C
Mechanical working life (Mating cycles)	≥ 500

Hinged frams	Size	Marking A ~ F	Marking a ~ f	Drawing(Dimensions in mm)																				
 <p>For 2 modules</p>	6B	HF6B-UA	HF6B-LA																					
 <p>For 3 modules</p>	10B	HF10B-UA	HF10B-LA																					
 <p>For 4 modules</p>	16B	HF16B-UA	HF16B-LA																					
 <p>For 6 modules</p>	24B	HF24B-UA	HF24B-LA																					
 <p>Locking element for hinged frames</p>		HFX-LE	HFX-LE	<p>Panel cut out</p>  <table border="1" data-bbox="1034 1862 1393 2002"> <thead> <tr> <th>Size</th> <th>a</th> <th>b</th> <th>c</th> </tr> </thead> <tbody> <tr> <td>SO-H6B</td> <td>44</td> <td>35</td> <td>52</td> </tr> <tr> <td>SO-H10B</td> <td>57</td> <td>49</td> <td>66</td> </tr> <tr> <td>SO-H16B</td> <td>77.5</td> <td>64</td> <td>85.5</td> </tr> <tr> <td>SO-H24B</td> <td>104</td> <td>94</td> <td>112</td> </tr> </tbody> </table>	Size	a	b	c	SO-H6B	44	35	52	SO-H10B	57	49	66	SO-H16B	77.5	64	85.5	SO-H24B	104	94	112
Size	a	b	c																					
SO-H6B	44	35	52																					
SO-H10B	57	49	66																					
SO-H16B	77.5	64	85.5																					
SO-H24B	104	94	112																					

HM

HM | Hinged Frames Technical characteristics



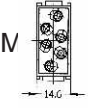
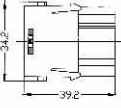

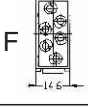
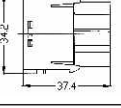



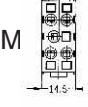
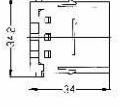

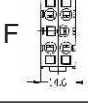
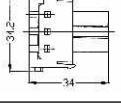
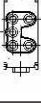


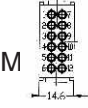
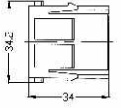

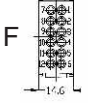
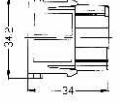
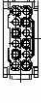


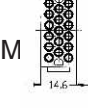
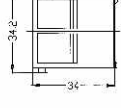

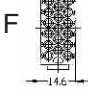
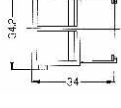



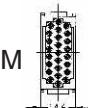
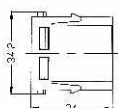
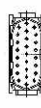
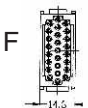





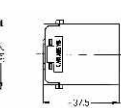


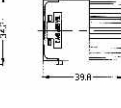

Type of products	Drawing(Dimensions in mm)	Technical parameters
 SO-H2MK-001-M SO-H2MK-001-F		Number of contacts:1 Working current:200A Working voltage:1900V Rated impulse voltage:8KV Pollution degree:3 Housing: Polycarbonate Contacts:copper alloy,Silver plated Contact resistance:2m Ω Screw terminal: 25–70mm ² (AWG2...00) Hexagonal driver:SW 5
 SO-H2MK-002-M SO-H2MK-002-F		Number of contacts:2 Working current:100A Working voltage:1000V Rated impulse voltage:8KV Pollution degree:3 Housing: Polycarbonate Contacts:copper alloy,Silver plated Contact resistance:3m Ω Screw terminal: 10–38mm ² (AWG6...2) Hexagonal driver:SW 4
 SO-H2MK-002-MC SO-H2MK-002-FC		Number of contacts:2 Working current:100A Working voltage:1000V Rated impulse voltage:8KV Pollution degree:3 Housing: Polycarbonate Contacts:copper alloy,Silver plated Contact resistance:3m Ω Crimp terminal:16–35mm ² Max.cable diameter:14mm
 SO-HMK7-002-M SO-HMK7-002-F		Number of contacts:2 Working current:70A Working voltage:1000V Rated impulse voltage:8KV Pollution degree:3 Housing: Polycarbonate Contacts:copper alloy,Silver plated Contact resistance:0.5m Ω Screw terminal: 6–22mm ² (AWG8...4) Hexagonal driver:SW 2.5
 SO-HMK2-002-M SO-HMK2-002-F		Number of contacts:2 Working current:40A Working voltage:1000V Rated impulse voltage:8KV Pollution degree:3 Housing: Polycarbonate Contacts:copper alloy,Silver plated Contact resistance:0.5m Ω Screw terminal: 2.5–10mm ² (AWG14...8) Hexagonal driver:SW 2
 SO-HMK2-002-MC SO-HMK2-002-FC		Number of contacts:2 Working current:40A Working voltage:1000V Rated impulse voltage:8KV Pollution degree:3 Housing: Polycarbonate Contacts:copper alloy,Silver plated Contact resistance:3m Ω Crimp terminal:1.5–10mm ² (AWG16–8)

HM | Hinged Frames Technical characteristics

Type of products		Drawing(Dimensions in mm)			Technical parameters
		M			Number of contacts:3 Working current:40A Working voltage:690V Rated impulse voltage:8KV Pollution degree:3 Housing: Polycarbonate Contacts:copper alloy,Silver plated Contact resistance:0.5mΩ Screw terminal: 2.5–10mm ² (AWG14...8) Hexagonal driver:SW 2
SO-HMK3-003-M	SO-HMK3-003-F	F			
		M			Number of contacts:3 Working current:40A Working voltage:500V Rated impulse voltage:6KV Pollution degree:3 Housing: Polycarbonate Contacts: copper alloy,Silver plated Contact resistance:3mΩ Crimp terminal:1.5–10mm ² (AWG16–8)
SO-HMK3-003-MC	SO-HMK3-003-FC	F			
		M			Number of contacts:4 Working current:40A Working voltage:830V Rated impulse voltage:8KV Pollution degree:3 Housing: Polycarbonate Contacts:copper alloy,Silver plated Contact resistance:3mΩ Crimp terminal:1.5–10mm ² (AWG16–8)
SO-HMK4-004-MC	SO-HMK4-004-FC	F			
		M			Number of contacts:3/4 Working current: Power area: 40A Signal area: 10A Working voltage:830V Rated impulse voltage:8KV Pollution degree:3 Housing: Polycarbonate Contacts: copper alloy,Gold plated,Silver plated Contact resistance:3mΩ Crimp terminal: Signal area: 0.14–2.5mm ² (AWG26–14) Power area: 1.5–10mm ² (AWG16–8)
SO-HMKX-003/4-MC	SO-HMKX-003/4-FC	F			
		M			Number of contacts:6 Working current:16A Working voltage:500V Rated impulse voltage:6KV Pollution degree:3 Housing: Polycarbonate Contacts: copper alloy, Gold plated,Silver plated Contact resistance:1mΩ Crimp terminal:0.14–4mm ² (AWG26–12)
SO-HMK6-006-MC	SO-HMK6-006-FC	F			
		M			Number of contacts:8 Working current:16A Working voltage:400V Rated impulse voltage:6KV Pollution degree:3 Housing: Polycarbonate Contacts:copper alloy,Gold plated,Silver plated Contact resistance:1mΩ Crimp terminal:0.14–4mm ² (AWG26–12)
SO-HMK8-008-MC	SO-HMK8-008-FC	F			



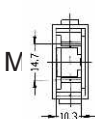
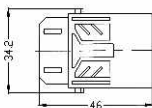
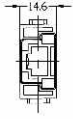
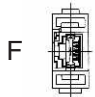
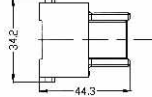
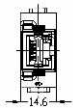


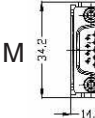
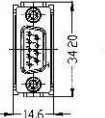
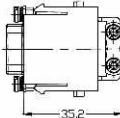


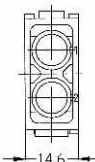
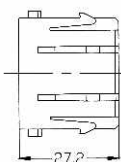
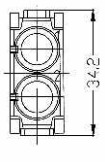


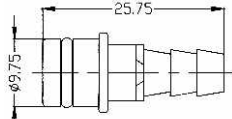
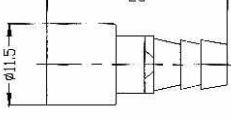

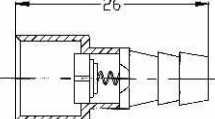


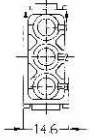
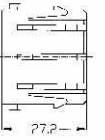
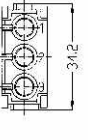


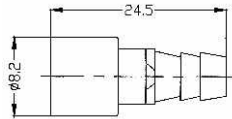
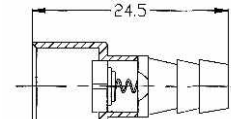

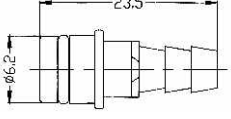
HM

HM | Hinged Frames Technical characteristics

Type of products		Drawing(Dimensions in mm)			Technical parameters
		M 			Number of contacts:6 Working current:16A Working voltage:830V Rated impulse voltage:8KV Pollution degree:3 Housing: Polycarbonate Contacts: copper alloy,Gold plated,Silver plated Contact resistance:1mΩ Crimp terminal: 0.14–4mm ² (AWG26–12)
SO-HVME-006-MC	SO-HVME-006-FC	F 			
		M 			Number of contacts:5 Working current:16A Working voltage:400V Rated impulse voltage:6KV Pollution degree:3 Housing: Polycarbonate Contacts: copper alloy,Silver plated Contact resistance:3mΩ Cage clamp terminal:0.14–2.5mm ² (AWG26–14)
SO-HMKE-005-MS	SO-HMKE-005-FS	F 			
		M 			Number of contacts:12 Working current:10A Working voltage:250V Rated impulse voltage:4KV Pollution degree:3 Housing: Polycarbonate Contacts: copper alloy,Gold plated,Silver plated Contact resistance:3mΩ Crimp terminal:0.14–2.5mm ² (AWG26–14)
SO-HMKD-012-MC	SO-HMKD-012-FC	F 			
		M 			Number of contacts:17 Working current:10A Working voltage:160V Rated impulse voltage:2.5KV Pollution degree:3 Housing: Polycarbonate Contacts: copper alloy,Gold plated,Silver plated Contact resistance:3mΩ Crimp terminal:0.14–2.5mm ² (AWG26–14)
SO-HMDD-017-MC	SO-HMDD-017-FC	F 			
		M 			Number of contacts:25 Working current:4A Working voltage:50V Rated impulse voltage:0.8KV Pollution degree:3 Housing: Polycarbonate Contacts: copper alloy,Gold plated,Silver plated Crimp terminal:0.08–0.52mm ² (AWG28–20)
SO-HMDS-025-MC	SO-HMDS-025-FC	F 			
		M 			Number of contacts:20 Working current:16A Working voltage:500V Rated impulse voltage:6KV Pollution degree:3 Housing: Polycarbonate Contact resistance:1mΩ Contacts: copper alloy,Gold plated,Silver plated Crimp terminal:0.14–4mm ² (AWG26–12)
SO-HMEE-020-MC	SO-HMEE-020-FC	F 			

HM

HM | Hinged Frames Technical characteristics

Type of products		Drawing(Dimensions in mm)			Technical parameters	
					Number of contacts:8 Working current:1A Working voltage:50V Rated impulse voltage:0.8KV Pollution degree:3 Housing: Polycarbonate Module with RJ45 terminal Stranded wire diameter (1)0.89-0.99mm (2)0.94-1.07mm AWG24-26 AWG22-24	
SO-HM-RJ45-M	SO-HM-RJ45-F					
					Number of contacts:9 Working current:5A Working voltage:50V Rated impulse voltage:0.8KV Pollution degree:3 Housing: Polycarbonate Limiting temperatures -40°C ~ +125°C Flammability acc.to(UL94) VO Mechanical working life(mating cycles)≥500	
SO-HMKE-009-MC	SO-HMKE-009-FC					
					Number of contacts:2 Housing: Polycarbonate Limiting temperatures -40°C ~ +80°C Flammability acc.to(UL94) VO Mechanical working life(mating cycles)≥500 Contacts Material:Delrin acetal pipe internal diameter:6.00mm/1/4" Working pressure:up 8 bar /116 psi Sealing:Buna Shut off valve:Polypropylen	
SO-HMP-002	SO-HMP-002					
					without shut off SO-PCM-6.0	without shut off SO-PCF-6.0
SO-PCM-6.0	SO-PCF-6.0					
					Number of contacts:3 Housing: Polycarbonate Limiting temperatures -40°C ~ +80°C Flammability acc.to(UL94) VO Mechanical working life(mating cycles)≥500 Contacts Material:Delrin acetal pipe internal diameter:(1.6mm/1/16") 3.0mm(4.0mm/1/8") Working pressure:up 8 bar /116 psi Sealing:Buna Shut off valve:Polypropylen	
SO-HMP-003	SO-HMP-003					
					without shut off SO-PCM-1.6 SO-PCM-3.0 SO-PCM-4.0	without shut off SO-PCF-1.6 SO-PCF-3.0 SO-PCF-4.0
SO-PCM-1.6 SO-PCM-3.0 SO-PCM-4.0	SO-PCF-1.6 SO-PCF-3.0 SO-PCF-4.0					

HM

Hood & Housing Feature

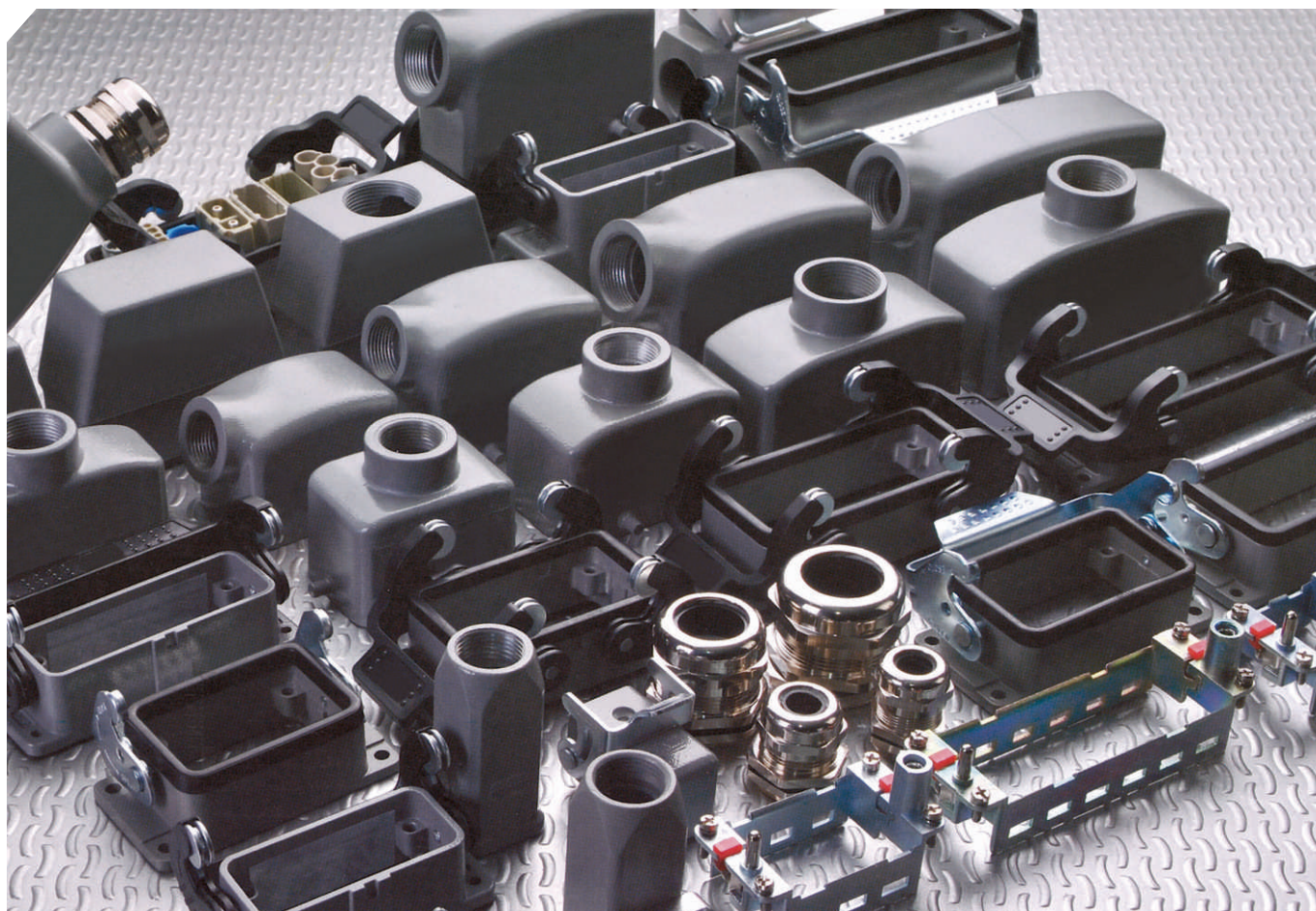
Size 3A Metal Hoods/Housings

Material	Zinc die-cast
Color	grey(RAL 7037)
Locking element	
Lever type	lever
Material	Metal zinc-plated
Hoods/housings sealing	NBR
Limiting temperatures	-40 ~ +125°C
Flammability acc.to UL94	VO
Degree of protection acc.to EN60529 for coupled connector	IP65

Standard housing


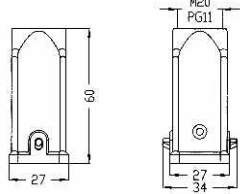

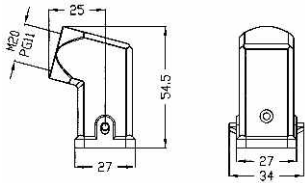

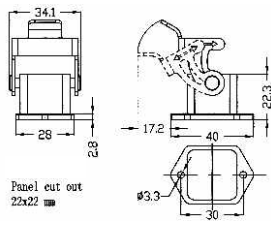

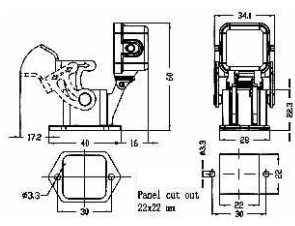

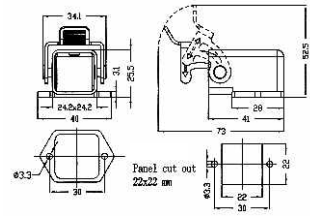
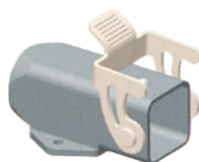
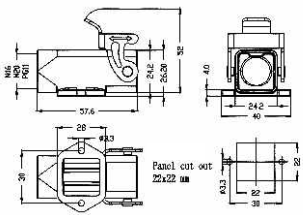

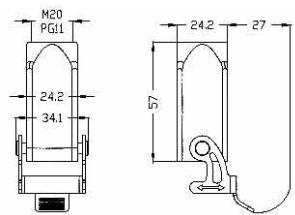
Material	Al-alloy die-cast
Color	grey(RAL 7037)
Locking element	
Lever type	(Plastics and wheel)lever
Material	Metal zinc-plated
Hoods/housings sealing	NBR
Limiting temperatures	-40 ~ +125°C
Flammability acc.to UL94	VO
Degree of protection acc.to EN60529 for coupled connector	IP65

HOOD & HOUSING



SO-H3A Hood & Housing


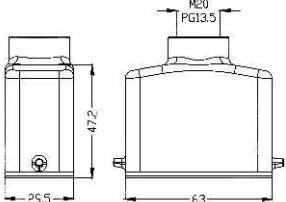

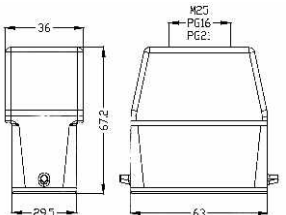

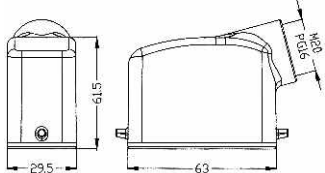

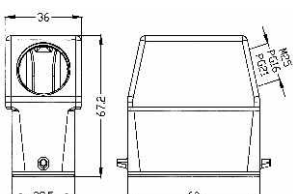


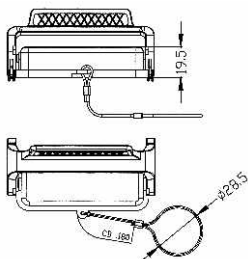
Size 3A IP65

	Thread	Type	Drawing(mm)
<p>Hoods</p> 	M20 PG11	SO-H3A-TK-2B-M20 SO-H3A-TK-2B-PG11	
<p>Top entry</p>			
<p>Hoods</p> 	M20 PG11	SO-H3A-SK-2B-M20 SO-H3A-SK-2B-PG11	
<p>Side entry</p>			
<p>Housings</p> 	...	SO-H3A-ST-1L	
<p>Bulkhead mounting</p>			
<p>Housings</p> 	...	With metal cover SO-H3A-ST-1L-CV	
<p>Bulkhead mounting</p>			
<p>Housings</p> 	...	Side entry SO-H3A-ST-SK-1L	
<p>Bulkhead mounting</p>			
<p>Housings</p> 	M16 M20 PG11	SO-H3A-SG-1L-M16 SO-H3A-SG-1L-M20 SO-H3A-SG-1L-PG11	
<p>Surface mounting</p>			
<p>Housings</p> 	M20 PG11	SO-H3A-DJK-1L-M20 SO-H3A-DJK-1L-PG11	
<p>Cable to cable</p>			

H-A

SO-H10A Hood & Housing


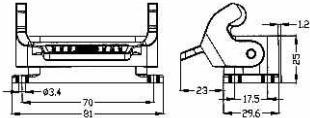

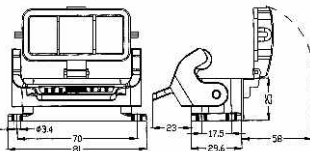
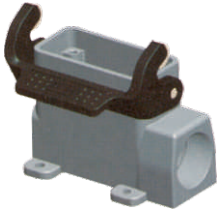
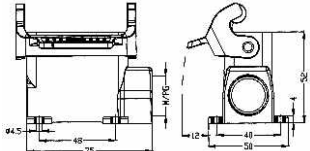

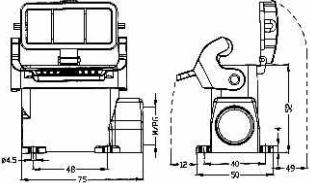


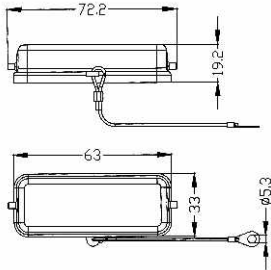
Size 10A IP65

	Thread	Type	Drawing(mm)
<p>Hoods</p> 	M20 PG13.5	SO-H10A-TK-2B-M20 SO-H10A-TK-2B-PG13.5	
<p>Top entry</p>			
<p>Hoods</p> 	M25 PG16 PG21	SO-H10A-TKH-2B-M25 SO-H10A-TKH-2B-PG16 SO-H10A-TKH-2B-PG21	
<p>Top entry High structure</p>			
<p>Hoods</p> 	M20 PG16	SO-H10A-SK-2B-M20 SO-H10A-SK-2B-PG16	
<p>Side entry</p>			
<p>Hoods</p> 	M25 PG16 PG21	SO-H10A-SKH-2B-M25 SO-H10A-SKH-2B-PG16 SO-H10A-SKH-2B-PG21	
<p>Side entry High structure</p>			
<p>Protective cover</p> 		Metal cover SO-H10A-CV-1L/1S SO-H10A-CV-1L/2S	

H-A

SO-H10A Hood & Housing


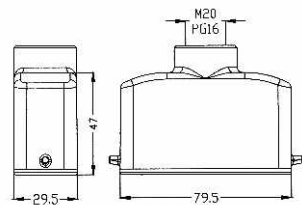

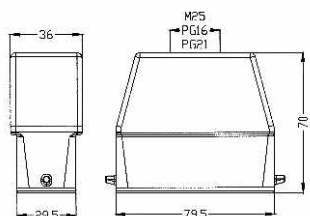

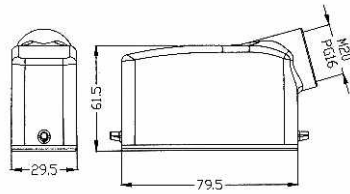

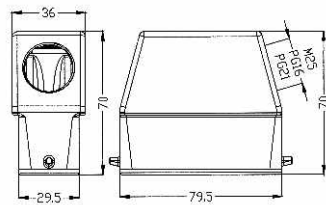


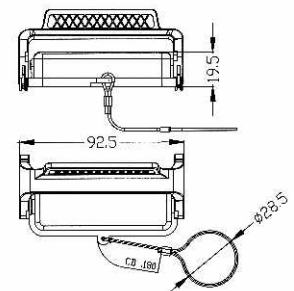
Size 10A IP65

	Thread	Type	Drawing(mm)
Housings 	...	SO-H10A-ST-1L	
Bulkhead mounting			
Housings 	...	SO-H10A-ST-CV-1L	
Bulkhead mounting			
Housings 	M20 M25 2M20 PG16 2PG16 PG21	SO-H10A-SG-1L-M20 SO-H10A-SG-1L-M25 SO-H10A-SG-1L-2M20 SO-H10A-SG-1L-PG16 SO-H10A-SG-1L-2PG16 SO-H10A-SG-1L-PG21	
Surface mounting			
Housings 	M20 M25 2M20 PG16 2PG16 PG21	SO-H10A-SG-CV-1L-M20 SO-H10A-SG-CV-1L-M25 SO-H10A-SG-CV-1L-2M20 SO-H10A-SG-CV-1L-PG16 SO-H10A-SG-CV-1L-2PG16 SO-H10A-SG-CV-1L-PG21	
Surface mounting			
Protective cover 		Metal cover SO-H10A-CV-1S SO-H10A-CV-2S	

H-A

SO-H16A Hood & Housing


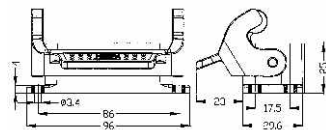

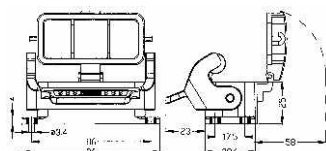
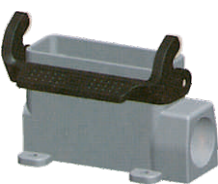
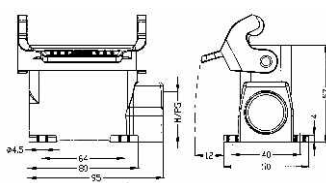
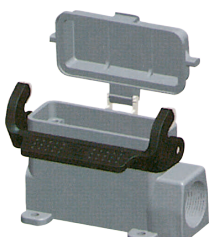
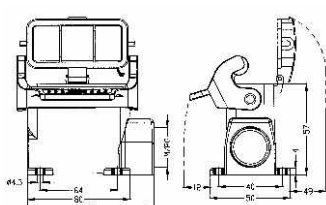
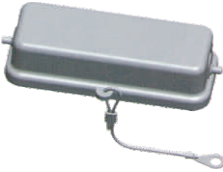

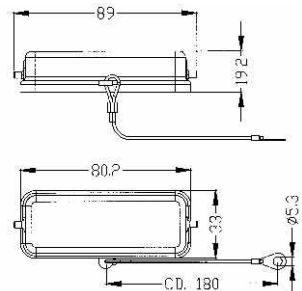
Size 16A IP65

	Thread	Type	Drawing(mm)
Hoods 	M20 PG16	SO-H16A-TK-2B-M20 SO-H16A-TK-2B-PG16	
Top entry			
Hoods 	M25 PG16 PG21	SO-H16A-TKH-2B-M25 SO-H16A-TKH-2B-PG16 SO-H16A-TKH-2B-PG21	
Top entry High structure			
Hoods 	M20 PG16	SO-H16A-SK-2B-M20 SO-H16A-SK-2B-PG16	
Side entry			
Hoods 	M25 PG16 PG21	SO-H16A-SKH-2B-M25 SO-H16A-SKH-2B-PG16 SO-H16A-SKH-2B-PG21	
Side entry High structure			
Protective cover 		Metal cover SO-H16A-CV-1L/1S SO-H16A-CV-1L/2S	
Protective cover			

H-A

SO-H16A Hood & Housing


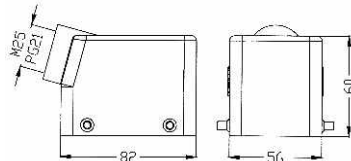

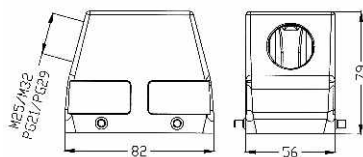

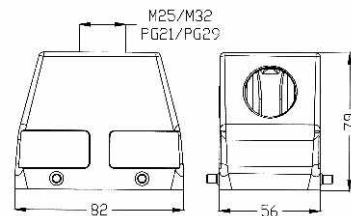
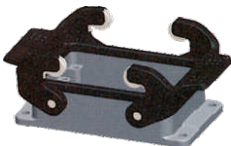
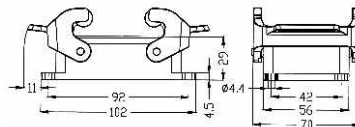

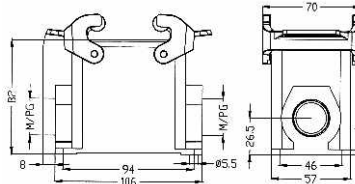


Size 16A IP65

	Thread	Type	Drawing(mm)
<p>Housings</p> 	...	SO-H16A-ST-1L	
<p>Bulkhead mounting</p>			
<p>Housings</p> 	...	SO-H16A-ST-CV-1L	
<p>Bulkhead mounting</p>			
<p>Hoods</p> 	<p>M20 2M20 M25 2M25 PG16 2PG16 PG21</p>	<p>SO-H16A-SG-1L-M20 SO-H16A-SG-1L-2M20 SO-H16A-SG-1L-M25 SO-H16A-SG-1L-2M25 SO-H16A-SG-1L-PG16 SO-H16A-SG-1L-2PG16 SO-H16A-SG-1L-PG21</p>	
<p>Surface mounting</p>			
<p>Housings</p> 	<p>M20 2M20 M25 2M25 PG16 2PG16 PG21</p>	<p>SO-H16A-SG-CV-1L-M20 SO-H16A-SG-CV-1L-2M20 SO-H16A-SG-CV-1L-M25 SO-H16A-SG-CV-1L-2M25 SO-H16A-SG-CV-1L-PG16 SO-H16A-SG-CV-1L-2PG16 SO-H16A-SG-CV-1L-PG21</p>	
<p>Surface mounting</p>			
<p>Protective cover</p> 		<p>Metal cover SO-H16A-CV-1S SO-H16A-CV-2S</p>	

H-A

SO-H32A Hood & Housing

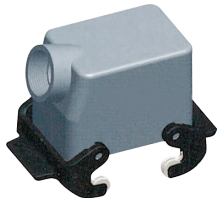
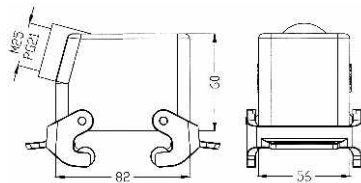
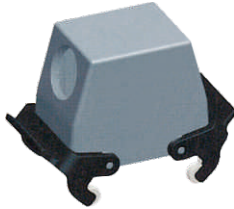
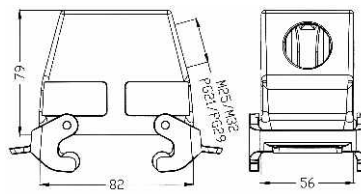
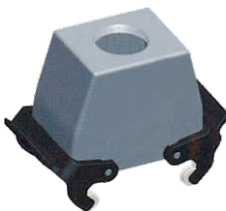
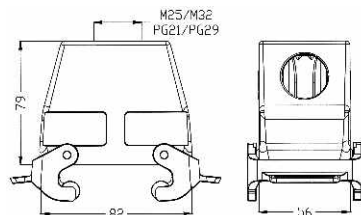
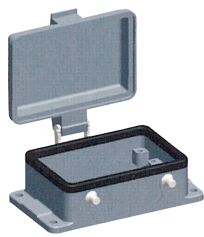
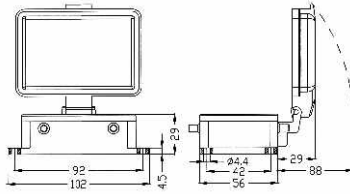

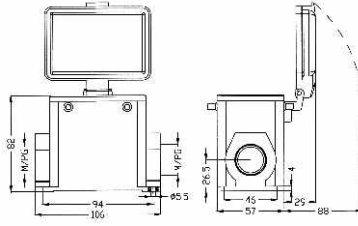
Size 32A IP65

	Thread	Type	Drawing(mm)
Hoods 	M25 PG21	SO-H32A-SK-4B-M25 SO-H32A-SK-4B-PG21	
Side entry			
Hoods 	M25 M32 PG21 PG29	SO-H32A-SKH-4B-M25 SO-H32A-SKH-4B-M32 SO-H32A-SKH-4B-PG21 SO-H32A-SKH-4B-PG29	
Side entry High structure			
Hoods 	M25 M32 PG21 PG29	SO-H32A-TKH-4B-M25 SO-H32A-TKH-4B-M32 SO-H32A-TKH-4B-PG21 SO-H32A-TKH-4B-PG29	
Top entry High structure			
Housings 	...	SO-H32A-ST-1L	
Bulkhead mounting			
Housings 	M25 M32 2M32 PG21 2PG21 PG29 2PG29	SO-H32A-SG-1L-M25 SO-H32A-SG-1L-M32 SO-H32A-SG-1L-2M32 SO-H32A-SG-1L-PG21 SO-H32A-SG-1L-2PG21 SO-H32A-SG-1L-PG29 SO-H32A-SG-1L-2PG29	
Surface mounting			
	...	SO-H32A-CV-4B	
Dust protection cover			

H-A

SO-H32A Hood & Housing


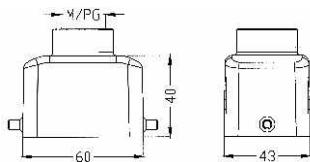

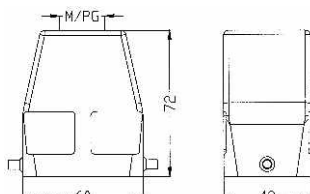

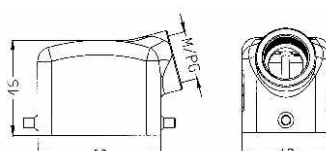

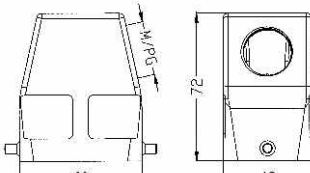

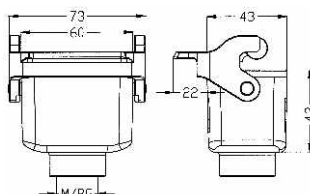

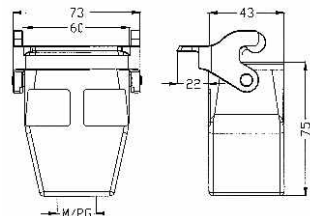
Size 32A IP65

	Thread	Type	Drawing(mm)
<p>Hoods</p> 	M25 PG21	SO-H32A-SK-1L-M25 SO-H32A-SK-1L-PG21	
<p>Side entry</p>			
<p>Hoods</p> 	M25 M32 PG21 PG29	SO-H32A-SKH-1L-M25 SO-H32A-SKH-1L-M32 SO-H32A-SKH-1L-PG21 SO-H32A-SKH-1L-PG29	
<p>Side entry High structure</p>			
<p>Hoods</p> 	M25 M32 PG21 PG29	SO-H32A-TKH-1L-M25 SO-H32A-TKH-1L-M32 SO-H32A-TKH-1L-PG21 SO-H32A-TKH-1L-PG29	
<p>Top entry High structure</p>			
<p>Housings</p> 	...	SO-H32A-ST-4B-CV	
<p>Bulkhead mounting</p>			
<p>Housings</p> 	M25 M32 2M32 PG21 2PG21 PG29 2PG29	SO-H32A-SG-4B-CV-M25 SO-H32A-SG-4B-CV-M32 SO-H32A-SG-4B-CV-2M32 SO-H32A-SG-4B-CV-PG21 SO-H32A-SG-4B-CV-2PG21 SO-H32A-SG-4B-CV-PG29 SO-H32A-SG-4B-CV-2PG29	
<p>Surface mounting</p>			

H-A

SO-H6B Hood & Housing


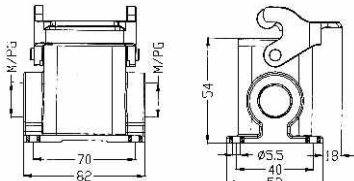

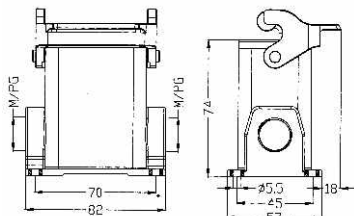

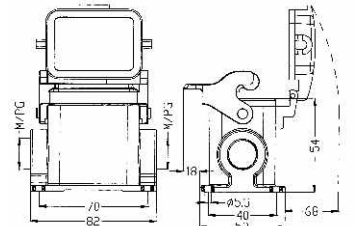

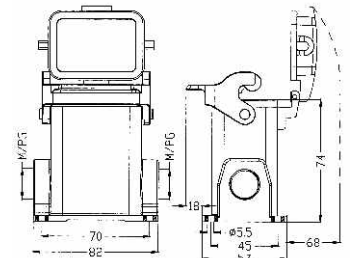
Size 6B IP65

	Thread	Type	Drawing(mm)
Hoods 	M20 PG13.5 PG16	SO-H6B-TK-2B-M20 SO-H6B-TK-2B-PG13.5 SO-H6B-TK-2B-PG16	
Top entry			
Hoods 	M25 M32 PG21	SO-H6B-TKH-2B-M25 SO-H6B-TKH-2B-M32 SO-H6B-TKH-2B-PG21	
Top entry High structure			
Hoods 	M20 PG13.5 PG16	SO-H6B-SK-2B-M20 SO-H6B-SK-2B-PG13.5 SO-H6B-SK-2B-PG16	
Side entry			
Hoods 	M25 M32 PG21	SO-H6B-SKH-2B-M25 SO-H6B-SKH-2B-M32 SO-H6B-SKH-2B-PG21	
Side entry High structure			
Housings 	M20 PG13.5 PG16	SO-H6B-DJK-1L-M20 SO-H6B-DJK-1L-PG13.5 SO-H6B-DJK-1L-PG16	
Cable to cable			
Housings 	M25 PG21	SO-H6B-DJKH-1L-M25 SO-H6B-DJKH-1L-PG21	
Cable to cable High structure			

H-B

SO-H6B Housing


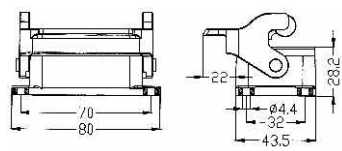

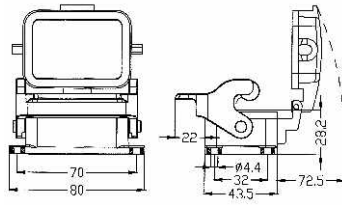

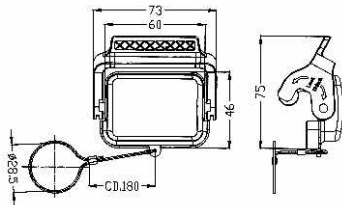

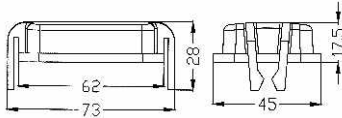

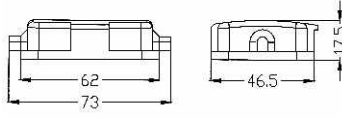
Size 6B IP65

	Thread	Type	Drawing(mm)
Housings 	M20 2M20 M25 2M25 PG16 2PG16	SO-H6B-SG-1L-M20 SO-H6B-SG-1L-2M20 SO-H6B-SG-1L-M25 SO-H6B-SG-1L-2M25 SO-H6B-SG-1L-PG16 SO-H6B-SG-1L-2PG16	
Surface mounting Housings 	M25 2M25 M32 2M32 PG21 2PG21 PG29 2PG29	SO-H6B-SGH-1L-M25 SO-H6B-SGH-1L-2M25 SO-H6B-SGH-1L-M32 SO-H6B-SGH-1L-2M32 SO-H6B-SGH-1L-PG21 SO-H6B-SGH-1L-2PG21 SO-H6B-SGH-1L-PG29 SO-H6B-SGH-1L-2PG29	
Surface mounting High structure Housings 	M20 2M20 M25 2M25 PG16 2PG16	SO-H6B-SG-CV-1L-M20 SO-H6B-SG-CV-1L-2M20 SO-H6B-SG-CV-1L-M25 SO-H6B-SG-CV-1L-2M25 SO-H6B-SG-CV-1L-PG16 SO-H6B-SG-CV-1L-2PG16	
Surface mounting Housings 	M25 2M25 M32 2M32 PG21 2PG21 PG29 2PG29	SO-H6B-SGH-CV-1L-M25 SO-H6B-SGH-CV-1L-2M25 SO-H6B-SGH-CV-1L-M32 SO-H6B-SGH-CV-1L-2M32 SO-H6B-SGH-CV-1L-PG21 SO-H6B-SGH-CV-1L-2PG21 SO-H6B-SGH-CV-1L-PG29 SO-H6B-SGH-CV-1L-2PG29	

H-B


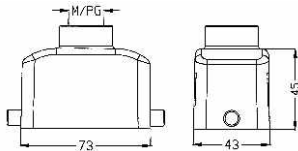

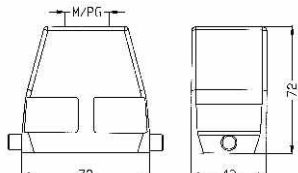

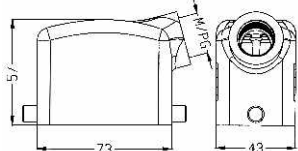

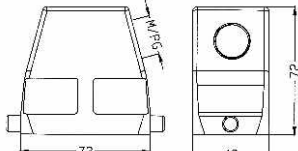

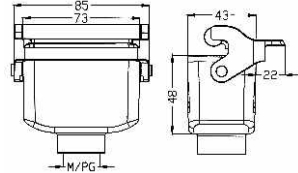

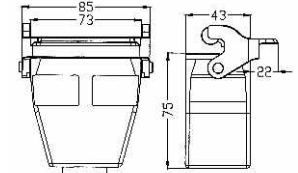
SO-H6B Hood & Housing

Size 6B IP65

	Thread	Type	Drawing(mm)
<p>Housings</p> 	...	SO-H6B-ST-1L	
Bulkhead mounting			
<p>Housings</p> 	...	SO-H6B-ST-CV-1L	
Bulkhead mounting			
<p>H-B</p> 	...	SO-H6B-CV-1L	
Protective cover			
	...	SO-H6B-CV-2C	
Protective cover			
	...	SO-H6B-CV-2B	
Protective cover			

SO-H10B Hood & Housing

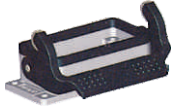
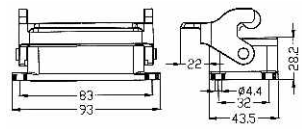

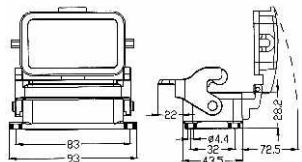

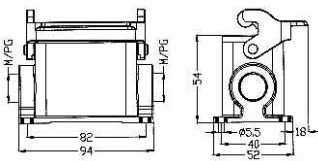

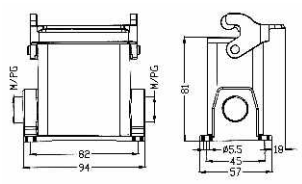

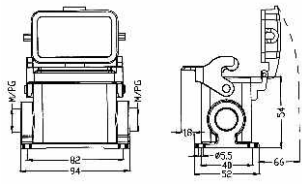
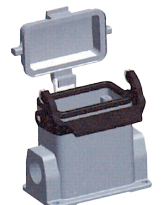
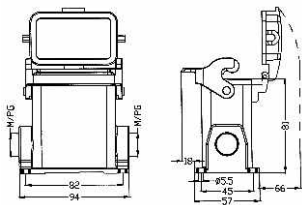
Size 10B IP65

	Thread	Type	Drawing(mm)
<p>Hoods</p>  <p>Top entry</p>	M20 PG16	SO-H10B-TK-2B-M20 SO-H10B-TK-2B-PG16	
<p>Hoods</p>  <p>Top entry High structure</p>	M25 M32 PG21 PG29	SO-H10B-TKH-2B-M25 SO-H10B-TKH-2B-M32 SO-H10B-TKH-2B-PG21 SO-H10B-TKH-2B-PG29	
<p>Hoods</p>  <p>Side entry</p>	M20 PG16	SO-H10B-SK-2B-M20 SO-H10B-SK-2B-PG16	
<p>Hoods</p>  <p>Side entry High structure</p>	M25 M32 PG21 PG29	SO-H10B-SKH-2B-M25 SO-H10B-SKH-2B-M32 SO-H10B-SKH-2B-PG21 SO-H10B-SKH-2B-PG29	
<p>Housings</p>  <p>Cable to cable</p>	M20 PG16	SO-H10B-DJK-1L-M20 SO-H10B-DJK-1L-PG16	
<p>Housings</p>  <p>Cable to cable High structure</p>	M32 M40 PG21 PG29	SO-H10B-DJKH-1L-M25 SO-H10B-DJKH-1L-M32 SO-H10B-DJKH-1L-PG21 SO-H10B-DJKH-1L-PG29	

H-B

SO-H10B Housing


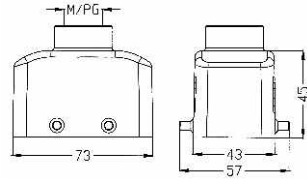

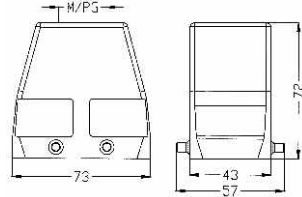

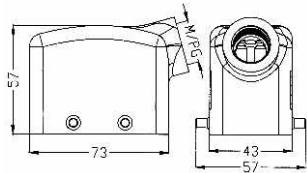

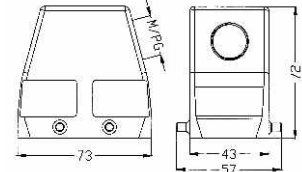

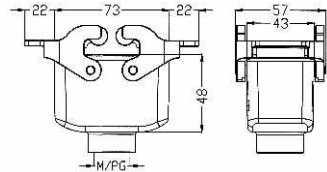

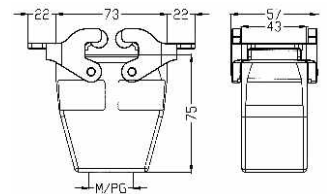
Size 10B IP65

	Thread	Type	Drawing(mm)
Housings 	...	SO-H10B-ST-1L	
Bulkhead mounting			
Housings 	...	SO-H10B-ST-CV-1L	
Bulkhead mounting			
Housings 	M20 2M20 M25 2M25 PG16 2PG16	SO-H10B-SG-1L-M20 SO-H10B-SG-1L-2M20 SO-H10B-SG-1L-M25 SO-H10B-SG-1L-2M25 SO-H10B-SG-1L-PG16 SO-H10B-SG-1L-2PG16	
Surface mounting			
Housings 	M25 2M25 M32 2M32 PG21 2PG21 PG29 2PG29	SO-H10B-SGH-1L-M25 SO-H10B-SGH-1L-2M25 SO-H10B-SGH-1L-M32 SO-H10B-SGH-1L-2M32 SO-H10B-SGH-1L-PG21 SO-H10B-SGH-1L-2PG21 SO-H10B-SGH-1L-PG29 SO-H10B-SGH-1L-2PG29	
Surface mounting High structure			
Housings 	M20 2M20 M25 2M25 PG16 2PG16	SO-H10B-SG-CV-1L-M20 SO-H10B-SG-CV-1L-2M20 SO-H10B-SG-CV-1L-M25 SO-H10B-SG-CV-1L-2M25 SO-H10B-SG-CV-1L-PG16 SO-H10B-SG-CV-1L-2PG16	
Surface mounting			
Housings 	M25 2M25 M32 2M32 PG21 2PG21 PG29 2PG29	SO-H10B-SGH-CV-1L-M25 SO-H10B-SGH-CV-1L-2M25 SO-H10B-SGH-CV-1L-M32 SO-H10B-SGH-CV-1L-2M32 SO-H10B-SGH-CV-1L-PG21 SO-H10B-SGH-CV-1L-2PG21 SO-H10B-SGH-CV-1L-PG29 SO-H10B-SGH-CV-1L-2PG29	
Surface mounting High structure			

H-B

SO-H10B Hood & Housing

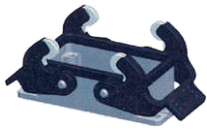
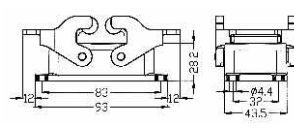

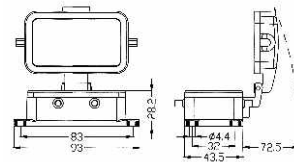

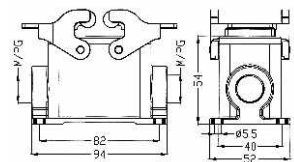

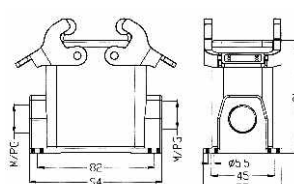

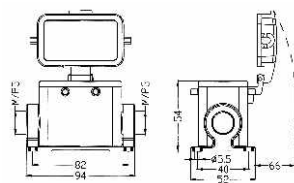
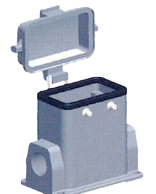
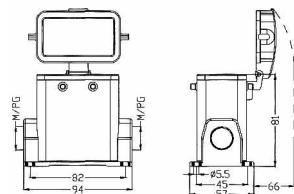
Size 10B IP65

	Thread	Type	Drawing(mm)
<p>Hoods</p> 	M20 PG16	SO-H10B-TK-4B-M20 SO-H10B-TK-4B-PG16	
<p>Top entry</p>			
<p>Hoods</p> 	M25 M32 PG21 PG29	SO-H10B-TKH-4B-M25 SO-H10B-TKH-4B-M32 SO-H10B-TKH-4B-PG21 SO-H10B-TKH-4B-PG29	
<p>Top entry High structure</p>			
<p>Hoods</p> 	M20 PG16	SO-H10B-SK-4B-M20 SO-H10B-SK-4B-PG16	
<p>Side entry</p>			
<p>Hoods</p> 	M25 M32 PG21 PG29	SO-H10B-SKH-4B-M25 SO-H10B-SKH-4B-M32 SO-H10B-SKH-4B-PG21 SO-H10B-SKH-4B-PG29	
<p>Side entry High structure</p>			
<p>Housings</p> 	M20 PG16	SO-H10B-DJK-2L-M20 SO-H10B-DJK-2L-PG16	
<p>Cable to cable</p>			
<p>Housings</p> 	M25 M32 PG21 PG29	SO-H10B-DJKH-2L-M25 SO-H10B-DJKH-2L-M32 SO-H10B-DJKH-2L-PG21 SO-H10B-DJKH-2L-PG29	
<p>Cable to cable High structure</p>			

H-B

SO-H10B Housing


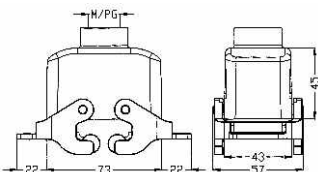

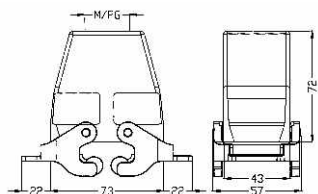

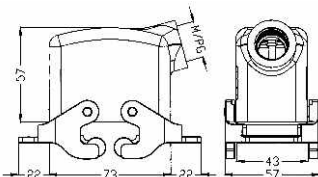

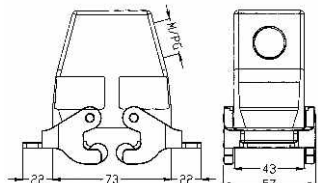

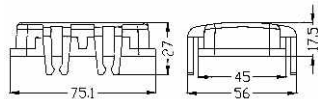
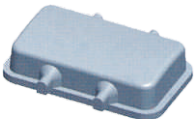
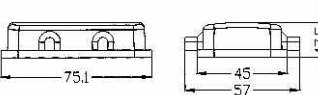
Size 10B IP65

	Thread	Type	Drawing(mm)
Housings 	...	SO-H10B-ST-2L	
Bulkhead mounting			
Housings 	...	SO-H10B-ST-4B-CV	
Bulkhead mounting			
Housings 	M20 2M20 M25 2M25 PG16 2PG16	SO-H10B-SG-2L-M20 SO-H10B-SG-2L-2M20 SO-H10B-SG-2L-M25 SO-H10B-SG-2L-2M25 SO-H10B-SG-2L-PG16 SO-H10B-SG-2L-2PG16	
Surface mounting			
Housings 	M25 2M25 M32 2M32 PG21 2PG21 PG29 2PG29	SO-H10B-SGH-2L-M25 SO-H10B-SGH-2L-2M25 SO-H10B-SGH-2L-M32 SO-H10B-SGH-2L-2M32 SO-H10B-SGH-2L-PG21 SO-H10B-SGH-2L-2PG21 SO-H10B-SGH-2L-PG29 SO-H10B-SGH-2L-2PG29	
Surface mounting High structure			
Housings 	M20 2M20 M25 2M25 PG16 2PG16	SO-H10B-SG-4B-CV-M20 SO-H10B-SG-4B-CV-2M20 SO-H10B-SG-4B-CV-M25 SO-H10B-SG-4B-CV-2M25 SO-H10B-SG-4B-CV-PG16 SO-H10B-SG-4B-CV-2PG16	
Surface mounting			
Housings 	M25 2M25 M32 2M32 PG21 2PG21 PG29 2PG29	SO-H10B-SGH-4B-CV-M25 SO-H10B-SGH-4B-CV-2M25 SO-H10B-SGH-4B-CV-M32 SO-H10B-SGH-4B-CV-2M32 SO-H10B-SGH-4B-CV-PG21 SO-H10B-SGH-4B-CV-2PG21 SO-H10B-SGH-4B-CV-PG29 SO-H10B-SGH-4B-CV-2PG29	
Surface mounting High structure			

H-B

SO-H10B Hood & Housing


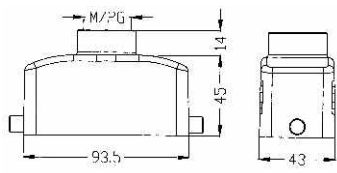

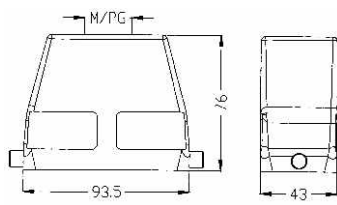

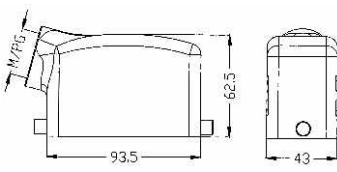

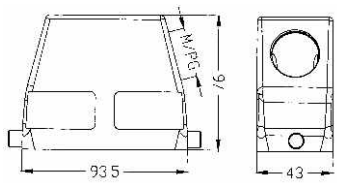

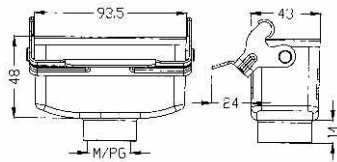

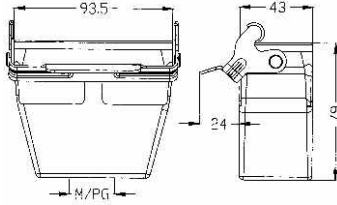
Size 10B IP65

	Thread	Type	Drawing(mm)
<p>Hoods</p> 	M20 PG16	SO-H10B-TK-2L-M20 SO-H10B-TK-2L-PG16	
<p>Top entry</p>			
<p>Hoods</p> 	M25 M32 PG21 PG29	SO-H10B-TKH-2L-M25 SO-H10B-TKH-2L-M32 SO-H10B-TKH-2L-PG21 SO-H10B-TKH-2L-PG29	
<p>Top entry High structure</p>			
<p>Hoods</p> 	M20 PG16	SO-H10B-SK-2L-M20 SO-H10B-SK-2L-PG16	
<p>Side entry</p>			
<p>Hoods</p> 	M25 M32 PG21 PG29	SO-H10B-SKH-2L-M25 SO-H10B-SKH-2L-M32 SO-H10B-SKH-2L-PG21 SO-H10B-SKH-2L-PG29	
<p>Side entry High structure</p>			
	...	SO-H10B-CV-4C	
<p>Protective cover</p>			
	...	SO-H10B-CV-4B	
<p>Protective cover</p>			

H-B

SO-H16B Hood & Housing


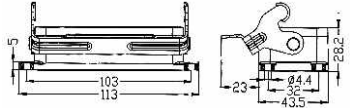

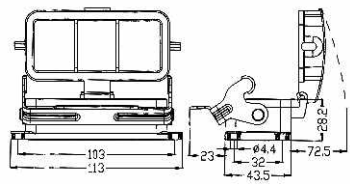

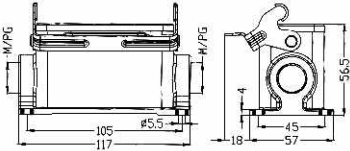

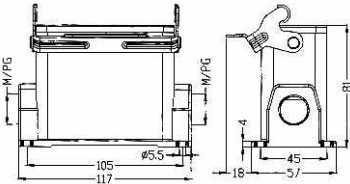

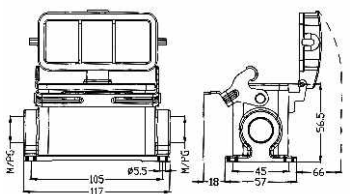

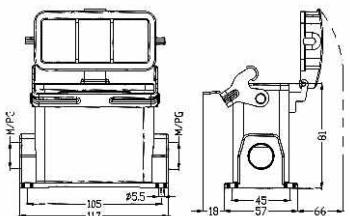
Size 16B IP65

	Thread	Type	Drawing(mm)
<p>Hoods</p> 	M25 PG21	SO-H16B-TK-2B-M25 SO-H16B-TK-2B-PG21	
<p>Top entry</p>			
<p>Hoods</p> 	M32 M40 PG21 PG29	SO-H16B-TKH-2B-M32 SO-H16B-TKH-2B-M40 SO-H16B-TKH-2B-PG21 SO-H16B-TKH-2B-PG29	
<p>Top entry High structure</p>			
<p>Hoods</p> 	M25 M32 PG21	SO-H16B-SK-2B-M25 SO-H16B-SK-2B-M32 SO-H16B-SK-2B-PG21	
<p>Side entry</p>			
<p>Hoods</p> 	M32 M40 PG21 PG29	SO-H16B-SKH-2B-M32 SO-H16B-SKH-2B-M40 SO-H16B-SKH-2B-PG21 SO-H16B-SKH-2B-PG29	
<p>Side entry High structure</p>			
<p>Housings</p> 	M25 PG21	SO-H16B-DJK-1L-M25 SO-H16B-DJK-1L-PG21	
<p>Cable to cable</p>			
<p>Housings</p> 	M32 M40 PG21 PG29	SO-H16B-DJKH-1L-M32 SO-H16B-DJKH-1L-M40 SO-H16B-DJKH-1L-PG21 SO-H16B-DJKH-1L-PG29	
<p>Cable to cable High structure</p>			

H-B

SO-H16B Housing


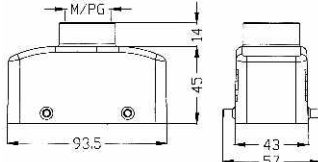

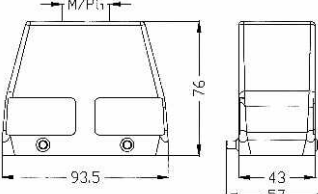

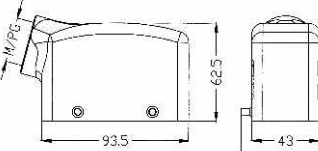

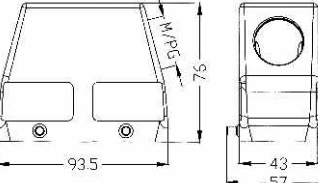
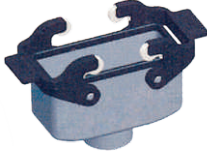
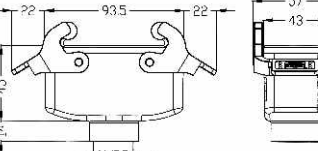

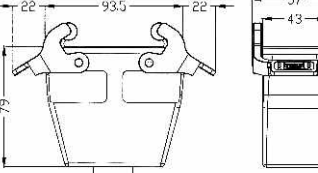
Size 16B IP65

	Thread	Type	Drawing(mm)
<p>Housings</p> 	...	SO-H16B-ST-1L	
<p>Bulkhead mounting</p>			
<p>Housings</p> 	...	SO-H16B-ST-CV-1L	
<p>Bulkhead mounting</p>			
<p>Housings</p> 	M25 2M25 PG21 2PG21	SO-H16B-SG-1L-M25 SO-H16B-SG-1L-2M25 SO-H16B-SG-1L-PG21 SO-H16B-SG-1L-2PG21	
<p>Surface mounting</p>			
<p>Housings</p> 	M32 2M32 PG21 2PG21 PG29 2PG29	SO-H16B-SGH-1L-M32 SO-H16B-SGH-1L-2M32 SO-H16B-SGH-1L-PG21 SO-H16B-SGH-1L-2PG21 SO-H16B-SGH-1L-PG29 SO-H16B-SGH-1L-2PG29	
<p>Surface mounting</p> <p>High structure</p>			
<p>Housings</p> 	M25 2M25 PG21 2PG21	SO-H16B-SG-CV-1L-M25 SO-H16B-SG-CV-1L-2M25 SO-H16B-SG-CV-1L-PG21 SO-H16B-SG-CV-1L-2PG21	
<p>Surface mounting</p>			
<p>Housings</p> 	M32 2M32 PG21 2PG21 PG29 2PG29	SO-H16B-SGH-CV-1L-M32 SO-H16B-SGH-CV-1L-2M32 SO-H16B-SGH-CV-1L-PG21 SO-H16B-SGH-CV-1L-2PG21 SO-H16B-SGH-CV-1L-PG29 SO-H16B-SGH-CV-1L-2PG29	
<p>Surface mounting</p> <p>High structure</p>			

H-B

SO-H16B Hood & Housing

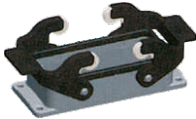
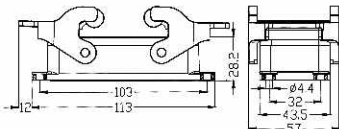

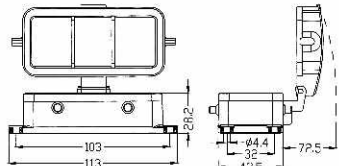

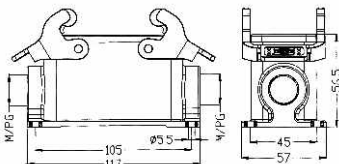

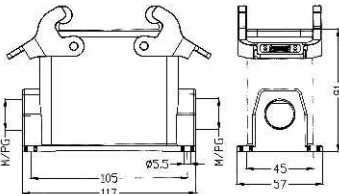
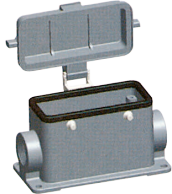
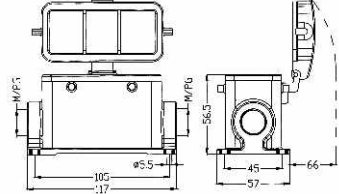
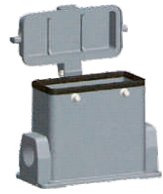
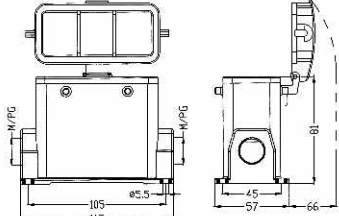
Size 16B IP65

	Thread	Type	Drawing(mm)
<p>Hoods</p>  <p>Top entry</p>	M25 PG21	SO-H16B-TK-4B-M25 SO-H16B-TK-4B-PG21	
<p>Hoods</p>  <p>Top entry High structure</p>	M32 M40 PG21 PG29	SO-H16B-TKH-4B-M32 SO-H16B-TKH-4B-M40 SO-H16B-TKH-4B-PG21 SO-H16B-TKH-4B-PG29	
<p>Hoods</p>  <p>Side entry</p>	M25 M32 PG21	SO-H16B-SK-4B-M25 SO-H16B-SK-4B-M32 SO-H16B-SK-4B-PG21	
<p>Hoods</p>  <p>Side entry High structure</p>	M32 M40 PG21 PG29	SO-H16B-SKH-4B-M32 SO-H16B-SKH-4B-M40 SO-H16B-SKH-4B-PG21 SO-H16B-SKH-4B-PG29	
<p>Housings</p>  <p>Cable to cable</p>	M25 PG21	SO-H16B-DJK-2L-M25 SO-H16B-DJK-2L-PG21	
<p>Housings</p>  <p>Cable to cable High structure</p>	M32 M40 PG21 PG29	SO-H16B-DJKH-2L-M32 SO-H16B-DJKH-2L-M40 SO-H16B-DJKH-2L-PG21 SO-H16B-DJKH-2L-PG29	

H-B

SO-H16B Housing


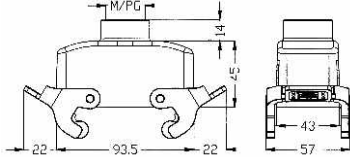

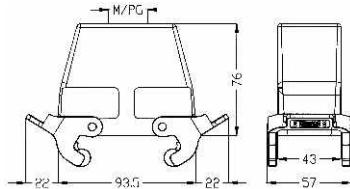

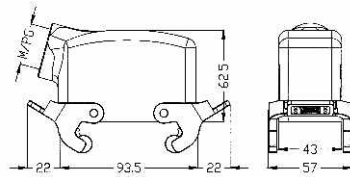

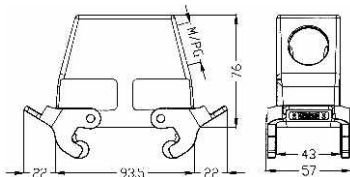

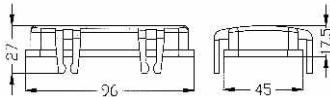
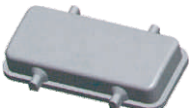
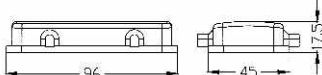
Size 16B IP65

	Thread	Type	Drawing(mm)
Housings 	...	SO-H16B-ST-2L	
Bulkhead mounting			
Housings 	...	SO-H16B-ST-4B-CV	
Bulkhead mounting			
Housings 	M25 2M25 PG21 2PG21	SO-H16B-SG-2L-M25 SO-H16B-SG-2L-2M25 SO-H16B-SG-2L-PG21 SO-H16B-SG-2L-2PG21	
Surface mounting			
Housings 	M32 2M32 PG21 2PG21 PG29 2PG29	SO-H16B-SGH-2L-M32 SO-H16B-SGH-2L-2M32 SO-H16B-SGH-2L-PG21 SO-H16B-SGH-2L-2PG21 SO-H16B-SGH-2L-PG29 SO-H16B-SGH-2L-2PG29	
Surface mounting High structure			
Housings 	M25 2M25 PG21 2PG21	SO-H16B-SG-4B-CV-M25 SO-H16B-SG-4B-CV-2M25 SO-H16B-SG-4B-CV-PG21 SO-H16B-SG-4B-CV-2PG21	
Surface mounting			
Housings 	M32 2M32 PG21 2PG21 PG29 2PG29	SO-H16B-SGH-4B-CV-M32 SO-H16B-SGH-4B-CV-2M32 SO-H16B-SGH-4B-CV-PG21 SO-H16B-SGH-4B-CV-2PG21 SO-H16B-SGH-4B-CV-PG29 SO-H16B-SGH-4B-CV-2PG29	
Surface mounting High structure			

H-B

SO-H16B Hood & Housing


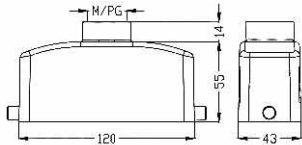

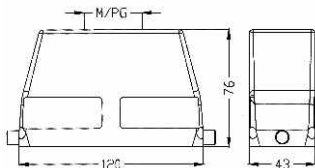

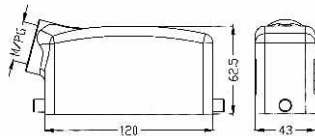

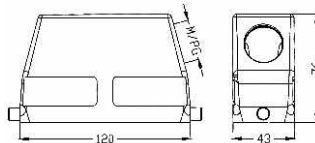

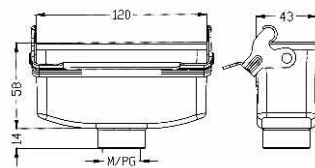

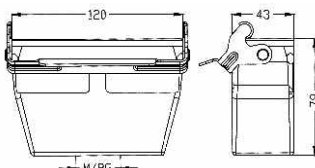
Size 16B IP65

	Thread	Type	Drawing(mm)
<p>Hoods</p> 	M25 PG21	SO-H16B-TK-2L-M25 SO-H16B-TK-2L-PG21	
<p>Top entry</p>			
<p>Hoods</p> 	M32 M40 PG21 PG29	SO-H16B-TKH-2L-M32 SO-H16B-TKH-2L-M40 SO-H16B-TKH-2L-PG21 SO-H16B-TKH-2L-PG29	
<p>Top entry High structure</p>			
<p>Hoods</p> 	M25 M32 PG21	SO-H16B-SK-2L-M25 SO-H16B-SK-2L-M32 SO-H16B-SK-2L-PG21	
<p>Side entry</p>			
<p>Hoods</p> 	M32 M40 PG21 PG29	SO-H16B-SKH-2L-M32 SO-H16B-SKH-2L-M40 SO-H16B-SKH-2L-PG21 SO-H16B-SKH-2L-PG29	
<p>Side entry High structure</p>			
	...	SO-H16B-CV-4C	
<p>Protective cover</p>			
	...	SO-H16B-CV-4B	
<p>Protective cover</p>			

H-B

SO-H24B Hood & Housing


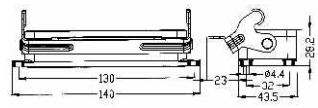
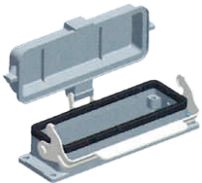
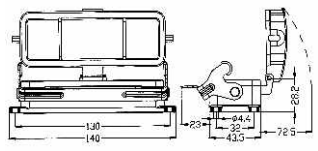

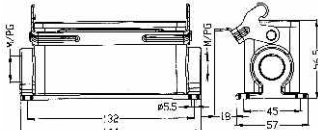

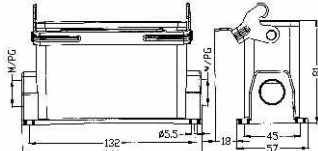

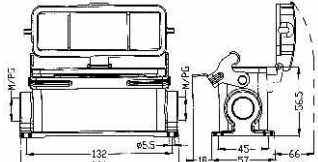

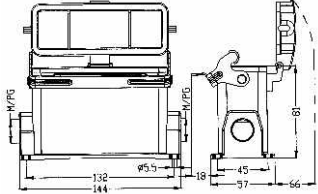
Size 24B IP65

	Thread	Type	Drawing(mm)
<p>Hoods</p> 	M25 PG21	SO-H24B-TK-2B-M25 SO-H24B-TK-2B-PG21	
<p>Top entry</p>			
<p>Hoods</p> 	M32 M40 PG21 PG29	SO-H24B-TKH-2B-M32 SO-H24B-TKH-2B-M40 SO-H24B-TKH-2B-PG21 SO-H24B-TKH-2B-PG29	
<p>Top entry High structure</p>			
<p>Hoods</p> 	M25 M32 PG21	SO-H24B-SK-2B-M25 SO-H24B-SK-2B-M32 SO-H24B-SK-2B-PG21	
<p>Side entry</p>			
<p>Hoods</p> 	M32 M40 PG21 PG29	SO-H24B-SKH-2B-M32 SO-H24B-SKH-2B-M40 SO-H24B-SKH-2B-PG21 SO-H24B-SKH-2B-PG29	
<p>Side entry High structure</p>			
<p>Housings</p> 	M25 PG21	SO-H24B-DJK-1L-M25 SO-H24B-DJK-1L-PG21	
<p>Cable to cable</p>			
<p>Housings</p> 	M32 M40 PG21 PG29	SO-H24B-DJKH-1L-M32 SO-H24B-DJKH-1L-M40 SO-H24B-DJKH-1L-PG21 SO-H24B-DJKH-1L-PG29	
<p>Cable to cable High structure</p>			

H-B

SO-H24B Housing


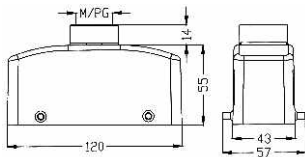

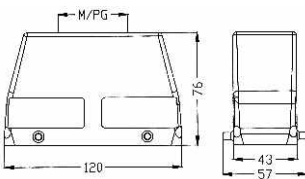

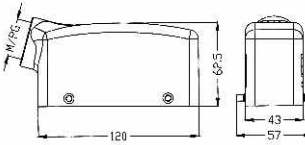

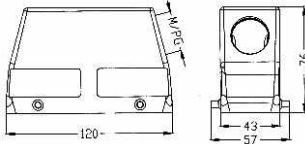

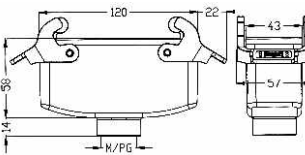

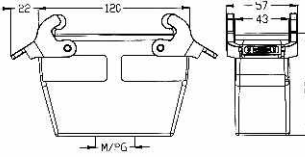
Size 24B IP65

	Thread	Type	Drawing(mm)
Housings 	...	SO-H24B-ST-1L	
Bulkhead mounting			
Housings 	...	SO-H24B-ST-CV-1L	
Bulkhead mounting			
Housings 	M25 2M25 PG21 2PG21	SO-H24B-SG-1L-M25 SO-H24B-SG-1L-2M25 SO-H24B-SG-1L-PG21 SO-H24B-SG-1L-2PG21	
Surface mounting			
Housings 	M32 2M32 PG21 2PG21 PG29 2PG29	SO-H24B-SGH-1L-M32 SO-H24B-SGH-1L-2M32 SO-H24B-SGH-1L-PG21 SO-H24B-SGH-1L-2PG21 SO-H24B-SGH-1L-PG29 SO-H24B-SGH-1L-2PG29	
Surface mounting High structure			
下壳/Housings 	M25 2M25 PG21 2PG21	SO-H24B-SG-CV-1L-M25 SO-H24B-SG-CV-1L-2M25 SO-H24B-SG-CV-1L-PG21 SO-H24B-SG-CV-1L-2PG21	
Surface mounting			
Housings 	M32 2M32 PG21 2PG21 PG29 2PG29	SO-H24B-SGH-CV-1L-M32 SO-H24B-SGH-CV-1L-2M32 SO-H24B-SGH-CV-1L-PG21 SO-H24B-SGH-CV-1L-2PG21 SO-H24B-SGH-CV-1L-PG29 SO-H24B-SGH-CV-1L-2PG29	
Surface mounting High structure			

H-B

SO-H24B Hood & Housing

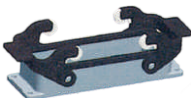
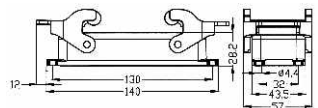
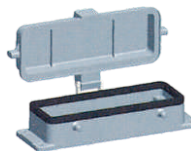
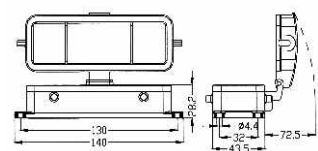
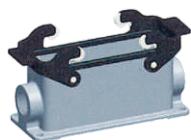
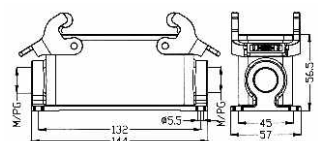
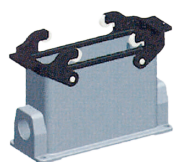
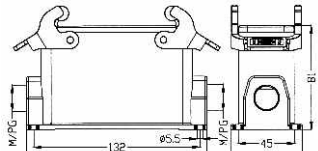

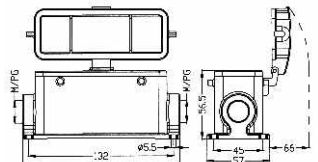
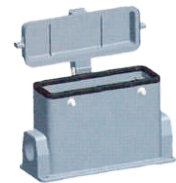
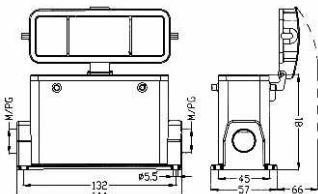
Size 24B IP65

	Thread	Type	Drawing(mm)
<p>Hoods</p>  <p>Top entry</p>	M25 PG21	SO-H24B-TK-4B-M25 SO-H24B-TK-4B-PG21	
<p>Hoods</p>  <p>Top entry High structure</p>	M32 M40 PG21 PG29	SO-H24B-TKH-4B-M32 SO-H24B-TKH-4B-M40 SO-H24B-TKH-4B-PG21 SO-H24B-TKH-4B-PG29	
<p>Hoods</p>  <p>Side entry</p>	M25 M32 PG21	SO-H24B-SK-4B-M25 SO-H24B-SK-4B-M32 SO-H24B-SK-4B-PG21	
<p>Hoods</p>  <p>Side entry High structure</p>	M32 M40 PG21 PG29	SO-H24B-SKH-4B-M32 SO-H24B-SKH-4B-M40 SO-H24B-SKH-4B-PG21 SO-H24B-SKH-4B-PG29	
<p>Housings</p>  <p>Cable to cable</p>	M25 PG21	SO-H24B-DJK-2L-M25 SO-H24B-DJK-2L-PG21	
<p>Housings</p>  <p>Cable to cable High structure</p>	M32 M40 PG21 PG29	SO-H24B-DJKH-2L-M32 SO-H24B-DJKH-2L-M40 SO-H24B-DJKH-2L-PG21 SO-H24B-DJKH-2L-PG29	

H-B

SO-H24B Housing

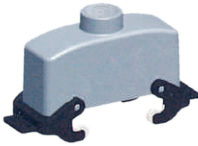
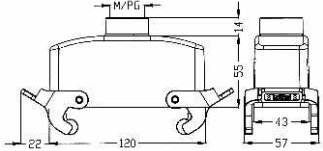

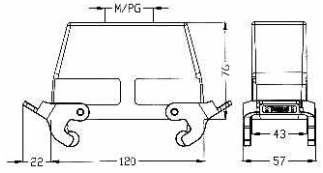
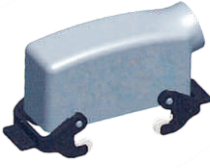
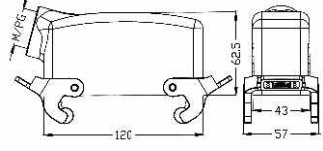

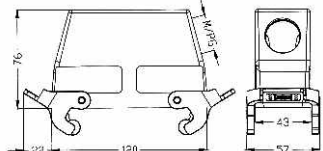
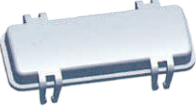
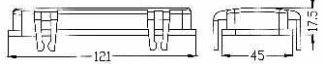

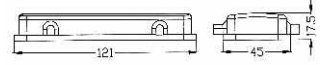
Size 24B IP65

	Thread	Type	Drawing(mm)
Housings 	...	SO-H24B-ST-2L	
Bulkhead mounting			
Housings 	...	SO-H24B-ST-4B-CV	
Bulkhead mounting			
Housings 	M25 2M25 PG21 2PG21	SO-H24B-SG-2L-M25 SO-H24B-SG-2L-2M25 SO-H24B-SG-2L-PG21 SO-H24B-SG-2L-2PG21	
Surface mounting			
Housings 	M32 2M32 PG21 2PG21 PG29 2PG29	SO-H24B-SGH-2L-M32 SO-H24B-SGH-2L-2M32 SO-H24B-SGH-2L-PG21 SO-H24B-SGH-2L-2PG21 SO-H24B-SGH-2L-PG29 SO-H24B-SGH-2L-2PG29	
Surface mounting High structure			
Housings 	M25 2M25 PG21 2PG21	SO-H24B-SG-4B-CV-M25 SO-H24B-SG-4B-CV-2M25 SO-H24B-SG-4B-CV-PG21 SO-H24B-SG-4B-CV-2PG21	
Surface mounting			
Housings 	M32 2M32 PG21 2PG21 PG29 2PG29	SO-H24B-SGH-4B-CV-M32 SO-H24B-SGH-4B-CV-2M32 SO-H24B-SGH-4B-CV-PG21 SO-H24B-SGH-4B-CV-2PG21 SO-H24B-SGH-4B-CV-PG29 SO-H24B-SGH-4B-CV-2PG29	
Surface mounting High structure			

H-B

SO-H24B Hood & Housing

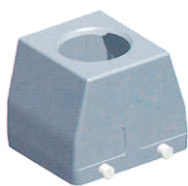
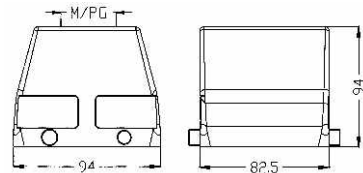
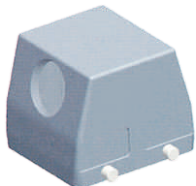
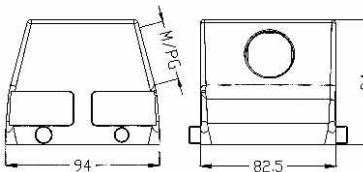
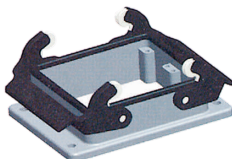
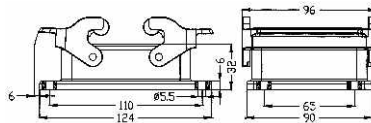
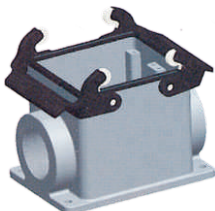
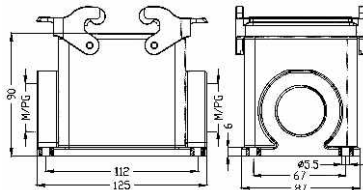
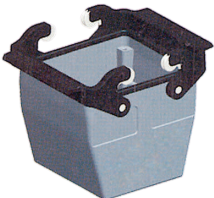
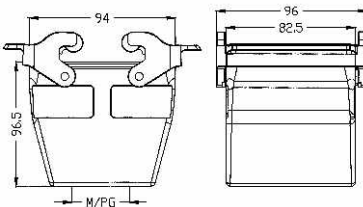
Size 24B IP65

	Thread	Type	Drawing(mm)
<p>Hoods</p>  <p>Top entry</p>	M25 PG21	SO-H24B-TK-2L-M25 SO-H24B-TK-2L-PG21	
<p>Hoods</p>  <p>Top entry High structure</p>	M32 M40 PG21 PG29	SO-H24B-TKH-2L-M32 SO-H24B-TKH-2L-M40 SO-H24B-TKH-2L-PG21 SO-H24B-TKH-2L-PG29	
<p>Hoods</p>  <p>Side entry</p>	M25 M32 PG21	SO-H24B-SK-2L-M25 SO-H24B-SK-2L-M32 SO-H24B-SK-2L-PG21	
<p>Hoods</p>  <p>Side entry High structure</p>	M32 M40 PG21 PG29	SO-H24B-SKH-2L-M32 SO-H24B-SKH-2L-M40 SO-H24B-SKH-2L-PG21 SO-H24B-SKH-2L-PG29	
<p>Protective cover</p> 	...	SO-H24B-CV-4C	
<p>Protective cover</p> 	...	SO-H24B-CV-4B	

H-B

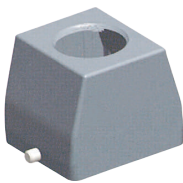
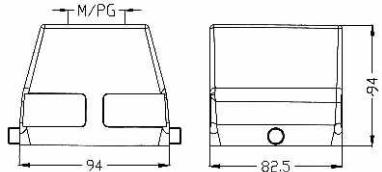
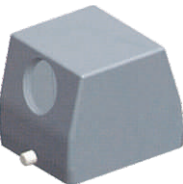
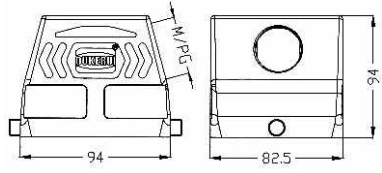

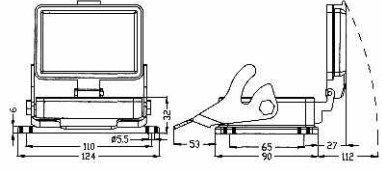
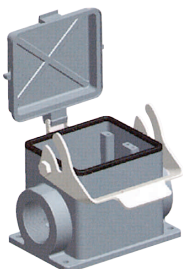
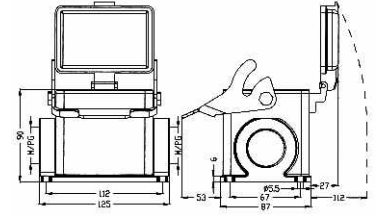
SO-H32B Hood & Housing

Size 32B IP65

	Thread	Type	Drawing(mm)
Hoods 	M32 M40 M50 PG29 PG36 PG42	SO-H32B-TK-4B-M32 SO-H32B-TK-4B-M40 SO-H32B-TK-4B-M50 SO-H32B-TK-4B-PG29 SO-H32B-TK-4B-PG36 SO-H32B-TK-4B-PG42	
Top entry			
Hoods 	M32 M40 M50 PG29 PG36 PG42	SO-H32B-SK-4B-M32 SO-H32B-SK-4B-M40 SO-H32B-SK-4B-M50 SO-H32B-SK-4B-PG29 SO-H32B-SK-4B-PG36 SO-H32B-SK-4B-PG42	
Side entry			
Housings 	...	SO-H32B-ST-2L	
Bulkhead mounting			
Housings 	M32 2M32 M40 2M40 PG29 2PG29 PG36 2PG36	SO-H32B-SG-2L-M32 SO-H32B-SG-2L-2M32 SO-H32B-SG-2L-M40 SO-H32B-SG-2L-2M40 SO-H32B-SG-2L-PG29 SO-H32B-SG-2L-2PG29 SO-H32B-SG-2L-PG36 SO-H32B-SG-2L-2PG36	
Surface mounting			
Housings 	M32 M40 M50 PG29 PG36 PG42	SO-H32B-DJK-2L-M32 SO-H32B-DJK-2L-M40 SO-H32B-DJK-2L-M50 SO-H32B-DJK-2L-PG29 SO-H32B-DJK-2L-PG36 SO-H32B-DJK-2L-PG42	
Cable to cable			

SO-H32B Hood & Housing

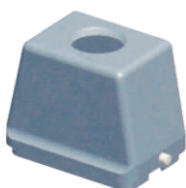
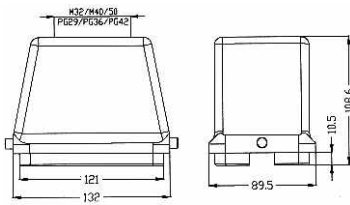

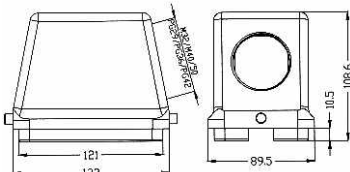

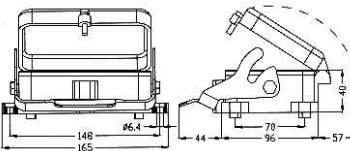

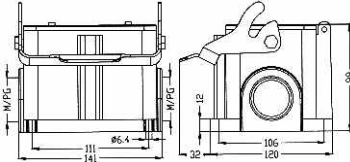

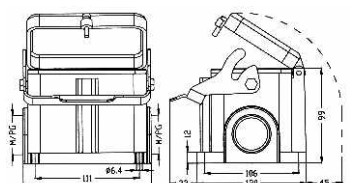
Size 32B IP65

	Thread	Type	Drawing(mm)
<p>Hoods</p> 	<p>M32 M40 M50 PG29 PG36 PG42</p>	<p>SO-H32B-TK-2B-M32 SO-H32B-TK-2B-M40 SO-H32B-TK-2B-M50 SO-H32B-TK-2B-PG29 SO-H32B-TK-2B-PG36 SO-H32B-TK-2B-PG42</p>	
<p>Top entry</p>			
<p>Hoods</p> 	<p>M32 M40 M50 PG29 PG36 PG42</p>	<p>SO-H32B-SK-2B-M32 SO-H32B-SK-2B-M40 SO-H32B-SK-2B-M50 SO-H32B-SK-2B-PG29 SO-H32B-SK-2B-PG36 SO-H32B-SK-2B-PG42</p>	
<p>Side entry</p>			
<p>Housings</p> 	<p>...</p>	<p>SO-H32B-ST-CV-1L</p>	
<p>Bulkhead mounting</p>			
<p>Housings</p> 	<p>M32 2M32 M40 2M40 PG29 2PG29 PG36 2PG36</p>	<p>SO-H32B-SG-CV-1L-M32 SO-H32B-SG-CV-1L-2M32 SO-H32B-SG-CV-1L-M40 SO-H32B-SG-CV-1L-2M40 SO-H32B-SG-CV-1L-PG29 SO-H32B-SG-CV-1L-2PG29 SO-H32B-SG-CV-1L-PG36 SO-H32B-SG-CV-1L-2PG36</p>	
<p>Surface mounting</p>			

H-B

SO-H48B Hood & Housing

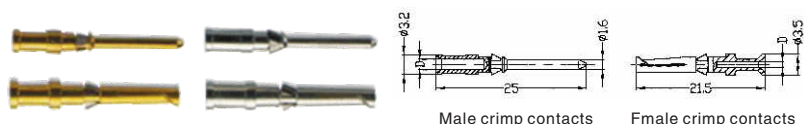
Size 48B IP65

	Thread	Type	Drawing(mm)
Hoods 	M32 M40 M50 PG29 PG36 PG42	SO-H48B-TK-2B-M32 SO-H48B-TK-2B-M40 SO-H48B-TK-2B-M50 SO-H48B-TK-2B-PG29 SO-H48B-TK-2B-PG36 SO-H48B-TK-2B-PG42	
Top entry			
Hoods 	M32 M40 M50 PG29 PG36 PG42	SO-H48B-SK-2B-M32 SO-H48B-SK-2B-M40 SO-H48B-SK-2B-M50 SO-H48B-SK-2B-PG29 SO-H48B-SK-2B-PG36 SO-H48B-SK-2B-PG42	
Side entry			
Housings 	...	SO-H48B-ST-CV-1L	
Bulkhead mounting			
Housings 	M40 2M40 PG29 2PG29 PG36 2PG36	SO-H48B-SG-1L-M40 SO-H48B-SG-1L-2M40 SO-H48B-SG-1L-PG29 SO-H48B-SG-1L-2PG29 SO-H48B-SG-1L-PG36 SO-H48B-SG-1L-2PG36	
Surface mounting			
Housings 	M40 2M40 PG29 2PG29 PG36 2PG36	SO-H48B-SG-CV-1L-M40 SO-H48B-SG-CV-1L-2M40 SO-H48B-SG-CV-1L-PG29 SO-H48B-SG-CV-1L-2PG29 SO-H48B-SG-CV-1L-PG36 SO-H48B-SG-CV-1L-2PG36	
Surface mounting			

Crimp contacts

(10A)/CDGM/CDGF

Material: copper alloy Surface: Gold plated/Silver plated
 Contact resistance: $\leq 3m\Omega$ Terminal: Crimp connection



10A Crimp contacts			Contacts, Gold-plated		Contacts, Silver-plated	
Wire gauge		Stripping length	Male contacts	Female contacts	Male contacts	Female contacts
0.14–0.37mm ²	AWG 26–22	8mm	CDGM–0.37	CDGF–0.37	CDGM–0.37	CDGF–0.37
0.5mm ²	AWG 20	8mm	CDGM–0.5	CDGF–0.5	CDGM–0.5	CDGF–0.5
0.75mm ²	AWG 18	8mm	CDGM–0.75	CDGF–0.75	CDGM–0.75	CDGF–0.75
1.0mm ²	AWG 18	8mm	CDGM–1.0	CDGF–1.0	CDGM–1.0	CDGF–1.0
1.5mm ²	AWG 16	8mm	CDGM–1.5	CDGF–1.5	CDGM–1.5	CDGF–1.5
2.5mm ²	AWG 14	8mm	CDGM–2.5	CDGF–2.5	CDGM–2.5	CDGF–2.5

(16A)/CDGM/CDGF

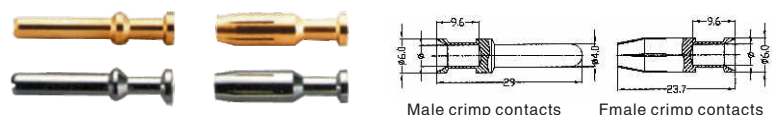
Material: copper alloy Surface: Gold plated/Silver plated
 Contact resistance: $\leq 1m\Omega$ Terminal: Crimp connection



16A Crimp contacts			Contacts, Gold-plated		Contacts, Silver-plated	
Wire gauge		Stripping length	Male contacts	Female contacts	Male contacts	Female contacts
0.14–0.37mm ²	AWG 26–22	7.50mm	CEGM–0.37	CEGF–0.37	CEGM–0.37	CEGF–0.37
0.5mm ²	AWG 20	7.50mm	CEGM–0.5	CEGF–0.5	CEGM–0.5	CEGF–0.5
0.75mm ²	AWG 18	7.50mm	CEGM–0.75	CEGF–0.75	CEGM–0.75	CEGF–0.75
1.0mm ²	AWG 18	7.50mm	CEGM–1.0	CEGF–1.0	CEGM–1.0	CEGF–1.0
1.5mm ²	AWG 16	7.50mm	CEGM–1.5	CEGF–1.5	CEGM–1.5	CEGF–1.5
2.5mm ²	AWG 14	7.50mm	CEGM–2.5	CEGF–2.5	CEGM–2.5	CEGF–2.5
3.0mm ²	AWG 12	7.50mm	CEGM–3.0	CEGF–3.0	CEGM–3.0	CEGF–3.0
4.0mm ²	AWG 12	7.50mm	CEGM–4.0	CEGF–4.0	CEGM–4.0	CEGF–4.0

(40A)/CDGM/CDGF

Material: copper alloy Surface: Gold plated/Silver plated
 Contact resistance: $\leq 3m\Omega$ Terminal: Crimp connection



40A Crimp contacts			Contacts, Gold-plated		Contacts, Silver-plated	
Wire gauge		Stripping length	Male contacts	Female contacts	Male contacts	Female contacts
0.15mm ²	AWG 16	8mm	CCGM–1.5	CCGF–1.5	CCGM–1.5	CCGF–1.5
2.5mm ²	AWG 14	8mm	CCGM–2.5	CCGF–2.5	CCGM–2.5	CCGF–2.5
4.0mm ²	AWG 12	8mm	CCGM–4.0	CCGF–4.0	CCGM–4.0	CCGF–4.0
6.0mm ²	AWG 10	8mm	CCGM–6.0	CCGF–6.0	CCGM–6.0	CCGF–6.0
10.0mm ²	AWG 8	8mm	CCGM–10	CCGF–10	CCGM–10	CCGF–10

Crimp contacts Tools



Crimping tool
 SO01(0.14–4mm)
 SO02(1.5–6mm)



HD,HDD,HM
 HD,HDD,HM
 Removal tool



HEE,HQ,HM
 HEE,HQ,HM
 Removal tool

Cable gland

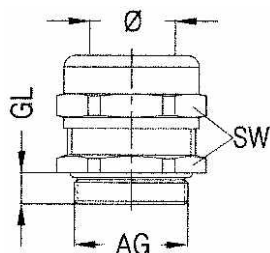
Metal Cable gland

Material: Nickel-plated brass

Seal Material: NBR

Degree of protection: IP68 Temperature range: Stat: -40°C to 100°C

Dyn: -20°C to 80°C



Thread	Claping range	(AG)	(SW)	(GL)
PG Thread				
PG7	3-6.5	12.5	14	6
PG9	4-8	15.2	18	6.5
PG11	5-10	18.6	20	7
PG13.5	6-12	20.4	22	7.5
PG16	8-14	22.5	24	7.5
PG21	13-18	28.3	30	8
PG29	18-25	37.0	40	9.5
PG36	22-32	47.0	50	12
PG42	31-38	54.0	55	12
PG48	37-44	59.3	65	12
Metric				
M12X1.5	3-6.5	12	14	6
M16X1.5	4-8	16	18	6.5
M20X1.5	6-12	20	22	8
M25X1.5	9-16	25	27	8
M25X1.5	13-18	25	30	8
M32X1.5	18-25	32	40	9
M40X1.5	22-32	40	50	12
M50X1.5	31-38	50	57	12
M63X1.5	37-44	63	65	12

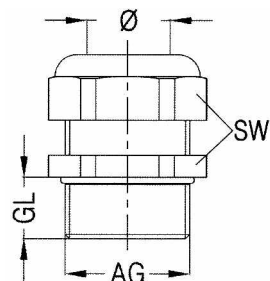
Plastics Cable gland

Material: Nylon

Seal Material: NBR

Degree of protection: IP68 Temperature range: Stat: -40°C to 100°C

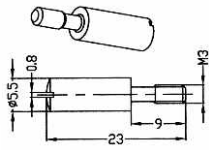
Dyn: -20°C to 80°C



Thread	Claping range	(AG)	(SW)	(GL)
PG Thread				
PG7	3-6.5	12.5	15	8
PG9	4-8	15.2	19	8
PG11	5-10	18.6	22	8
PG13.5	6-12	20.4	24	9
PG16	8-14	22.5	27	10
PG21	13-18	28.3	32	11
PG29	18-25	37.0	42	11
PG36	22-32	47.0	52	12
PG42	31-38	54.0	59	14
PG48	37-44	59.3	65	14
Metric				
M12X1.5	3-6.5	20	16.7	7
M16X1.5	4-8	16	19	8
M20X1.5	5-10	18	22	8
M25X1.5	6-12	20	24	9
M25X1.5	13-18	25	32	11
M32X1.5	18-25	32	42	11
M40X1.5	22-32	40	52	12
M50X1.5	31-38	50	59	15
M63X1.5	37-44	63	65	14

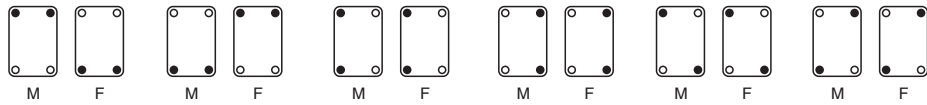
Accessories

Code pin

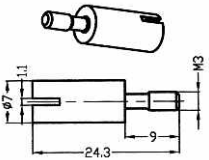


TYPE:SO-CODE-M3

For hoods/housings with one insert/one frame

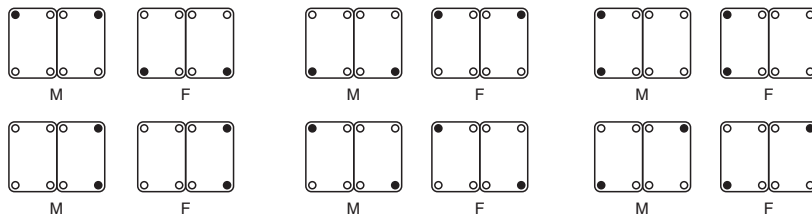


ModularCode pin



TYPE:SO-MCODE-M3

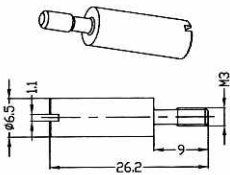
For hoods/housings with two insert/two frames



● Code pins
○ Normal mounting screw

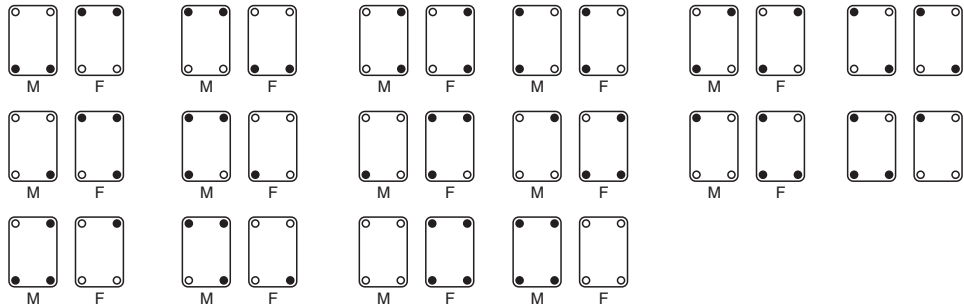
M–Male connector
F–Female connector

Guide bush

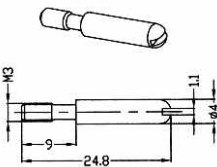


TYPE:SO-GUSHF-M3

For hoods/housings with one insert/one frame

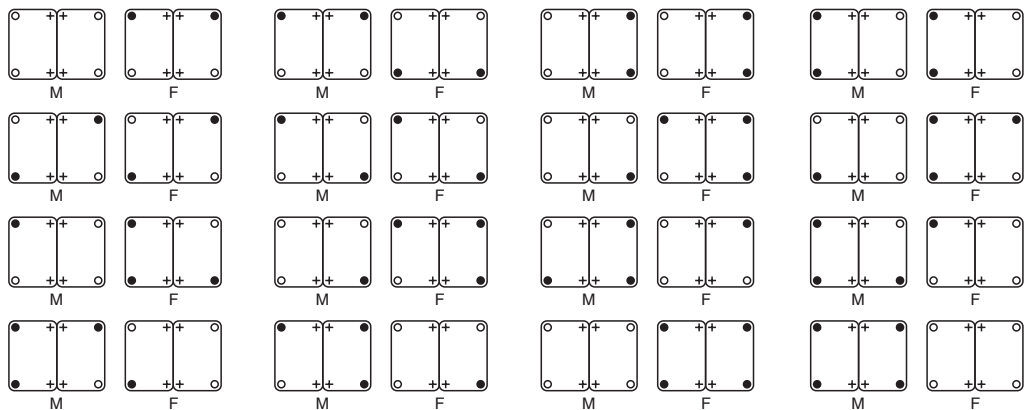


Guide pin



TYPE:SO-GPINM-M3

For hoods/housings with two insert/two frames



● Guide pins
○ Guide bush
+ Normal mounting screw

M–Male connector
F–Female connector